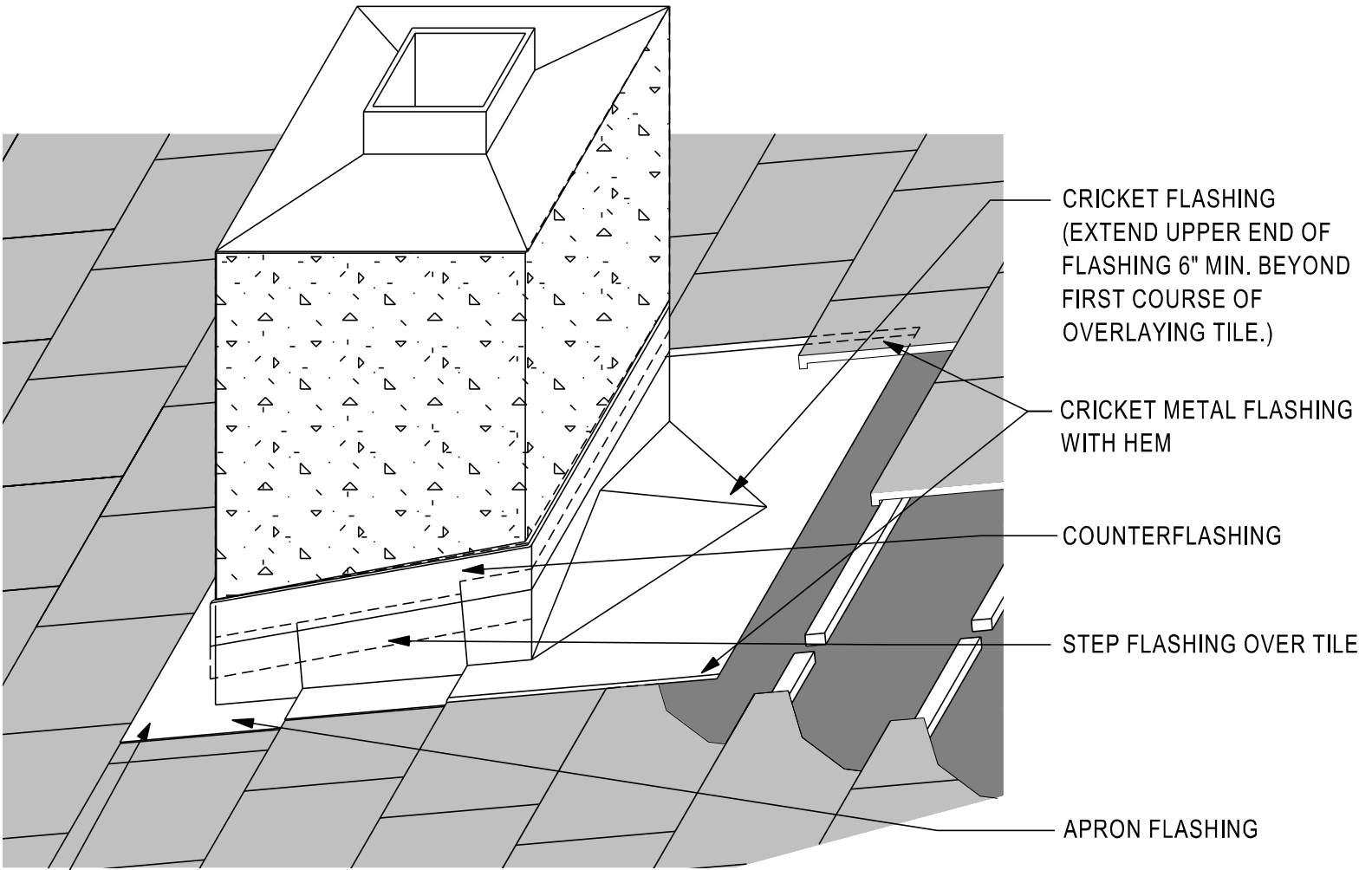


CHIMNEY CRICKET FLASHING - STEP TYPE

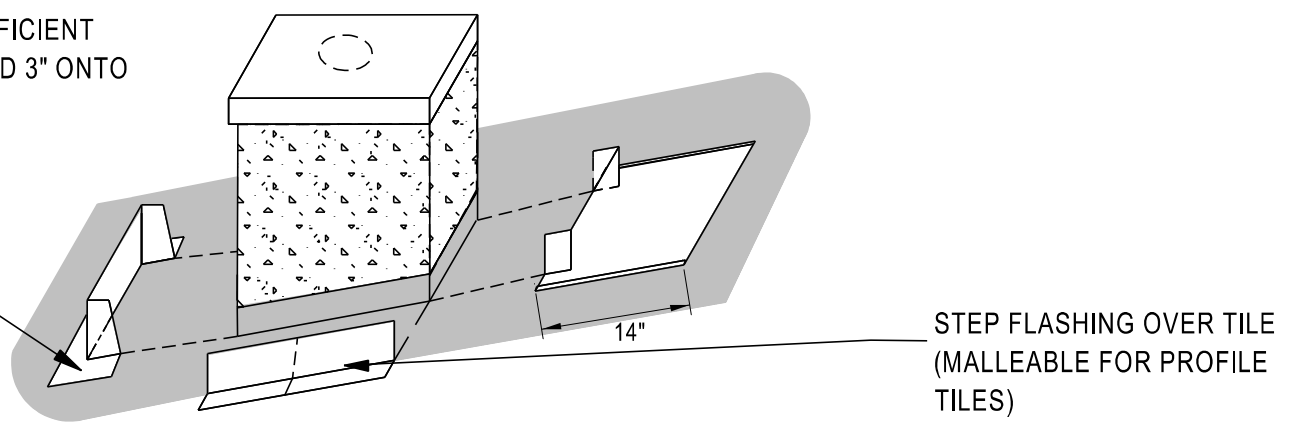
MC-15A

(Chimney or other penetration greater than 30" wide)

NOTE:
TYPICALLY USED IN AREAS WHERE DEBRIS CAN ACCUMULATE



APRON TO BE SUFFICIENT LENGTH TO EXTEND 3" ONTO TILE



Notes:

1. Chimney flashing dimensions may vary according to local weather conditions, chimney size, chimney location, slope of roof, rafter length behind chimney and tributary water area.
2. A backer or flashing may be used for chimneys and other penetrations less than 30" in width.
3. Extend a minimum of 6" up chimney and 14" upslope.
4. A diverter or cricket flashing is recommended for chimneys and other penetrations greater than 30" in width to promote positive runoff.
5. Dimensions shown are recommended minimums and are intended to be approximate to allow for reasonable tolerances due to field conditions.
6. Underlayment must turn up chimney wall a minimum of 4 inches.
7. All chimney flashing shall be minimum of (No. 26 galvanized sheet gauge) not less than 0.019 inch corrosion-resistant metal (G90). See Table A for additional options.

