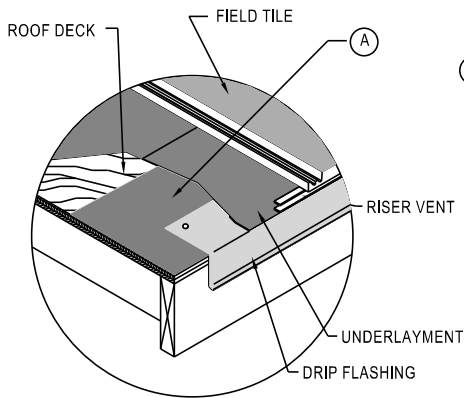
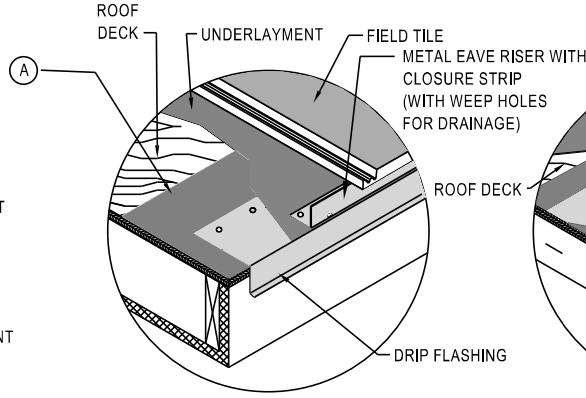


DOWN SLOPE EAVE DETAILS

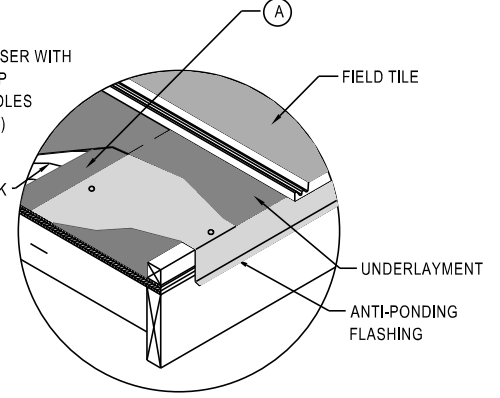
MC-10



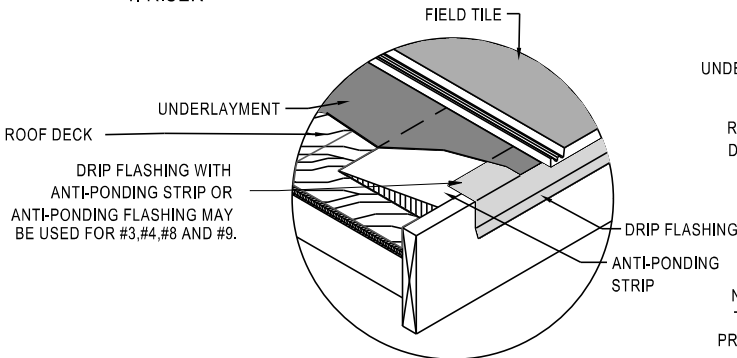
1. RISER



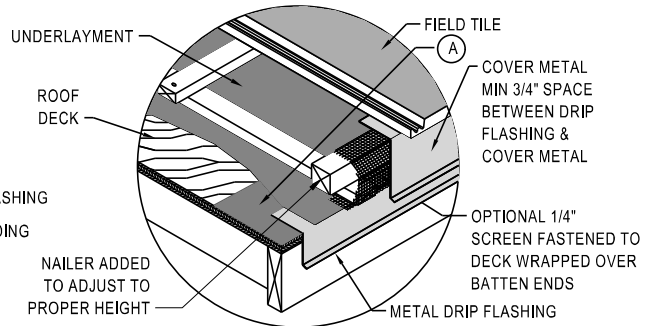
2. METAL CLOSURE



3. ANTI-PONDING FLASHING



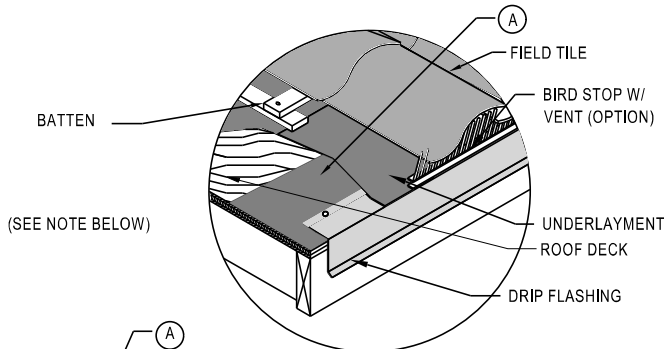
4. RAISED FASCIA



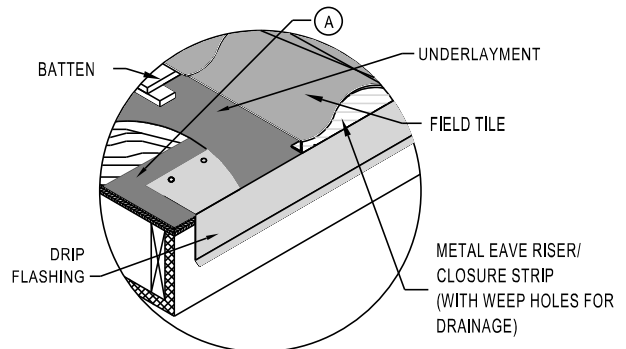
5. COUNTER BATTEN

LOW (FLAT) PROFILE TILES

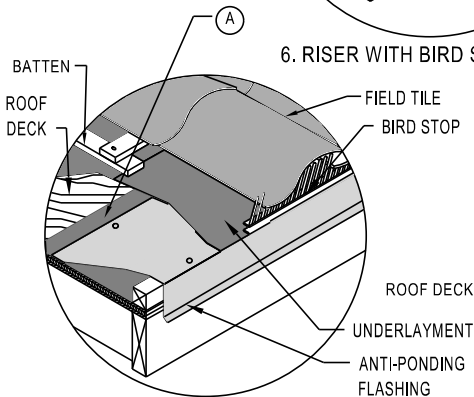
MEDIUM AND HIGH PROFILE TILES



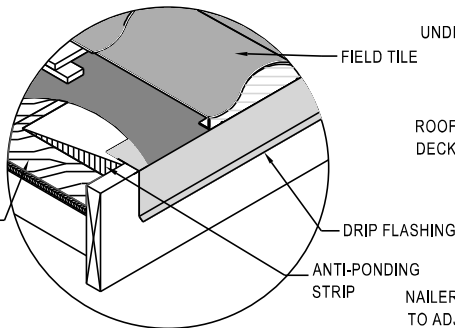
6. RISER WITH BIRD STOP



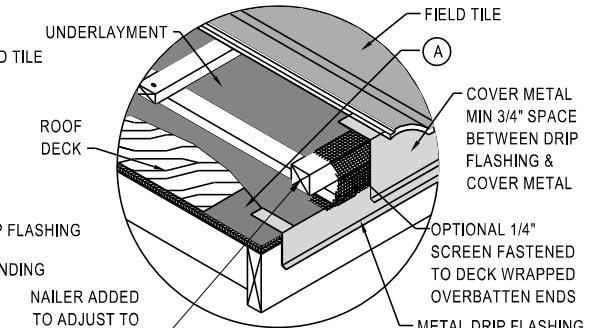
7. METAL CLOSURE



8. ANTI-PONDING FLASHING



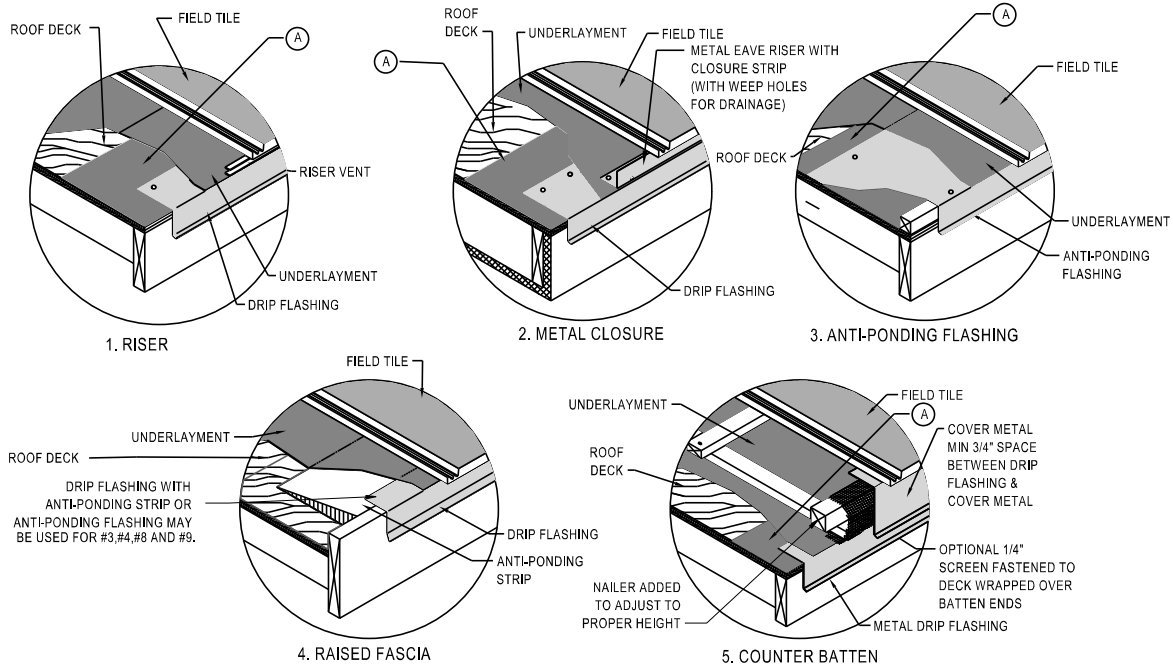
9. RAISED FASCIA



10. COUNTER BATTEN

Notes:

1. Bird stop is required on High profile tile and optional on Low and Medium profile tile unless required by local building official.
2. Bird stop may be either solid or vented.
- A. Optional Separator ply or sheet of No.15 asphalt-saturated felt or other appropriate material.



LOW (FLAT) PROFILE TILES

MEDIUM AND HIGH PROFILE TILES

