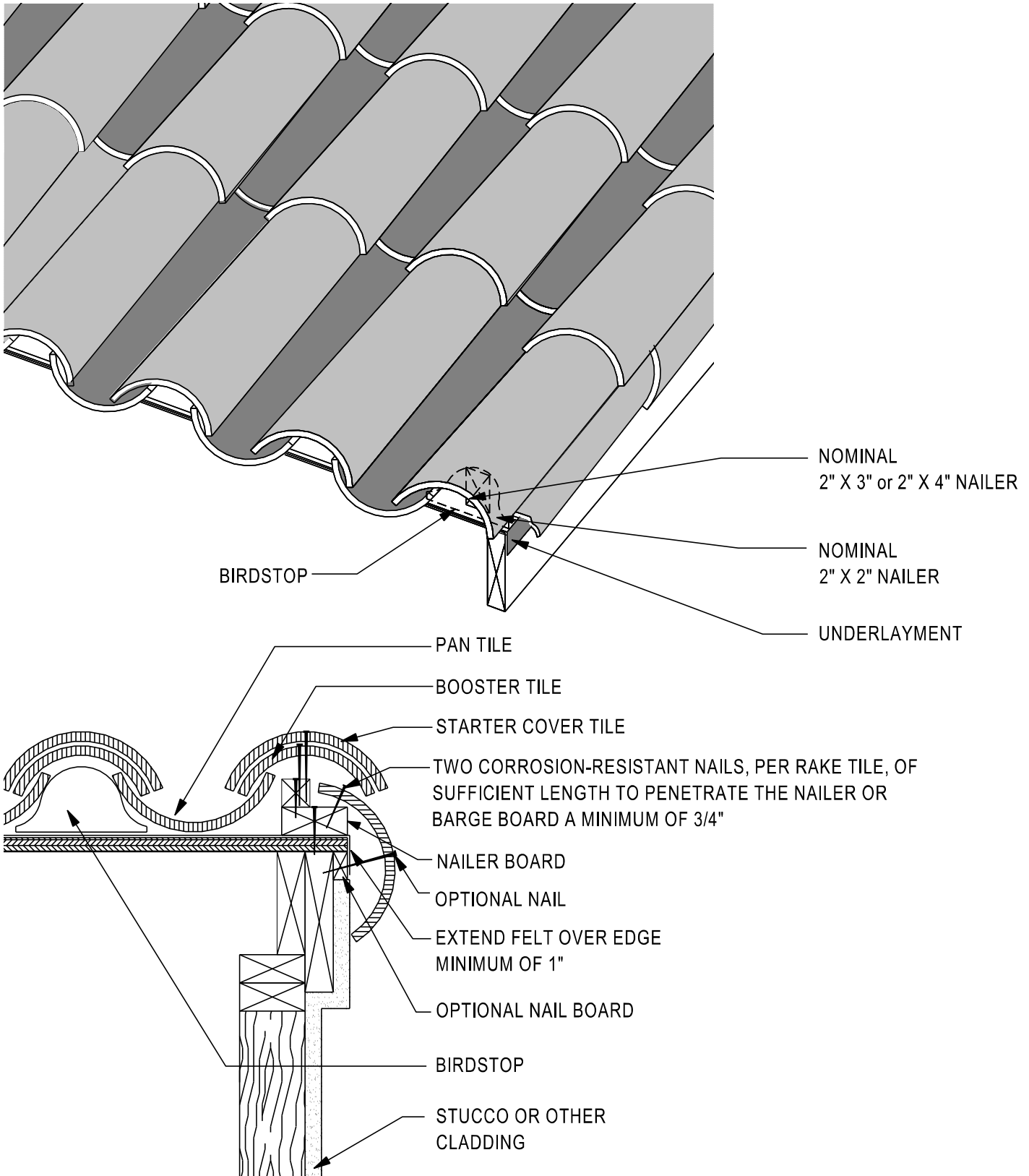


GABLE \ EAVE INSTALLATION - BARREL TILE

MC-20

(CLAY TILE INSTALLATIONS)



Notes:

1. Dimensions shown are minimums and are intended to be approximate to allow for reasonable tolerances due to field conditions, and area practice.
2. See Table 1A for additional fastening requirements.

Drawing shown depicts the application of all tile profiles. Unless otherwise noted it would apply to either concrete or clay tiles.

