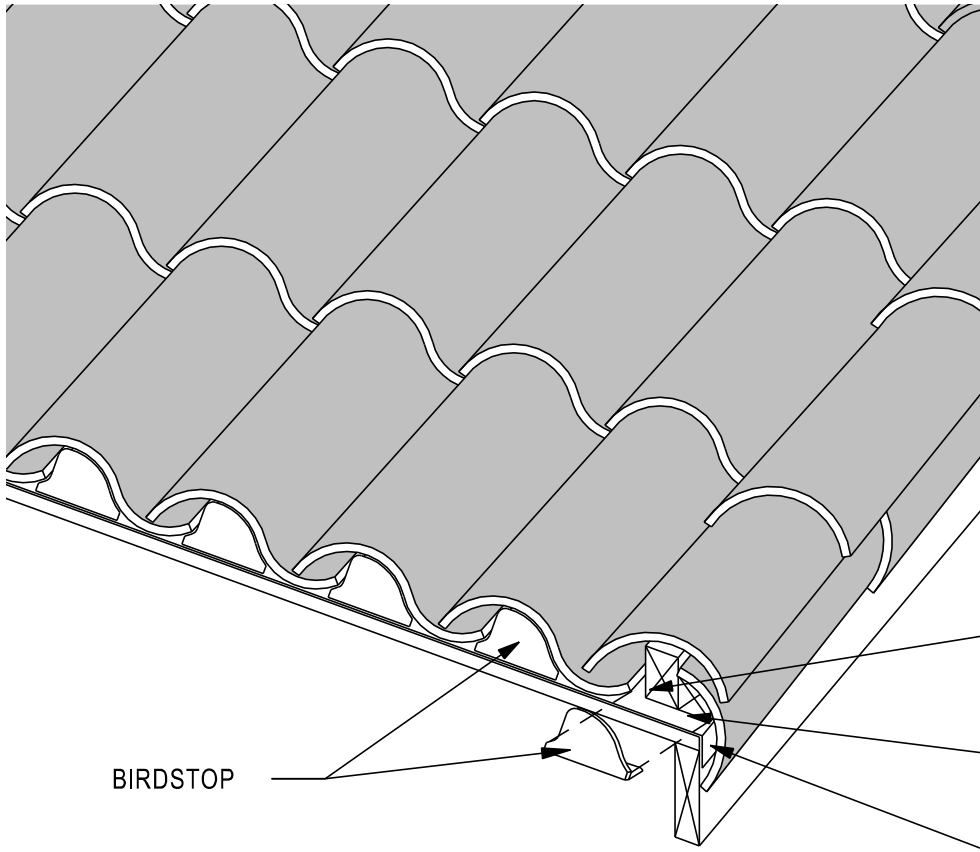


# GABLE \ EAVE INSTALLATION

MC-20A

(CLAY TILE INSTALLATIONS)



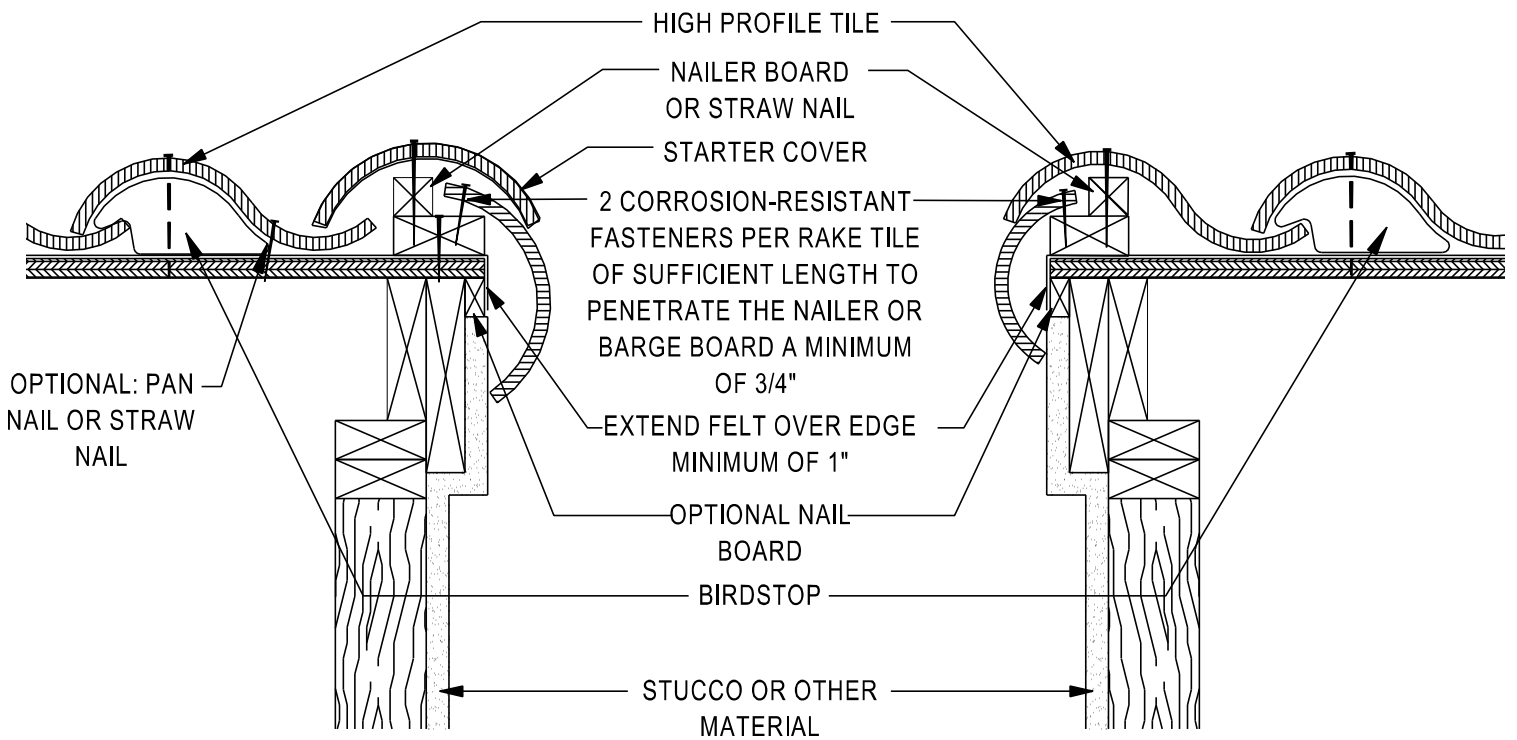
EAVE DRIP EDGE FLASHING  
NOT SHOWN FOR CLARITY

BIRDSTOP

NOMINAL  
2" X 3" OR 2" X 4" NAILER

NOMINAL  
2" X 2" NAILER

UNDERLAYMENT



HIGH PROFILE TILE

NAILER BOARD  
OR STRAW NAIL

STARTER COVER

2 CORROSION-RESISTANT  
FASTENERS PER RAKE TILE  
OF SUFFICIENT LENGTH TO  
PENETRATE THE NAILER OR  
BARGE BOARD A MINIMUM  
OF 3/4"

EXTEND FELT OVER EDGE  
MINIMUM OF 1"

OPTIONAL NAIL  
BOARD

BIRDSTOP

STUCCO OR OTHER  
MATERIAL

OPTIONAL: PAN  
NAIL OR STRAW  
NAIL

## Notes:

1. Dimensions shown are minimums and are intended to be approximate to allow for reasonable tolerances due to field conditions.

Drawing shown depicts the application of all tile profiles. Unless otherwise noted it would apply to either concrete or clay tiles.

