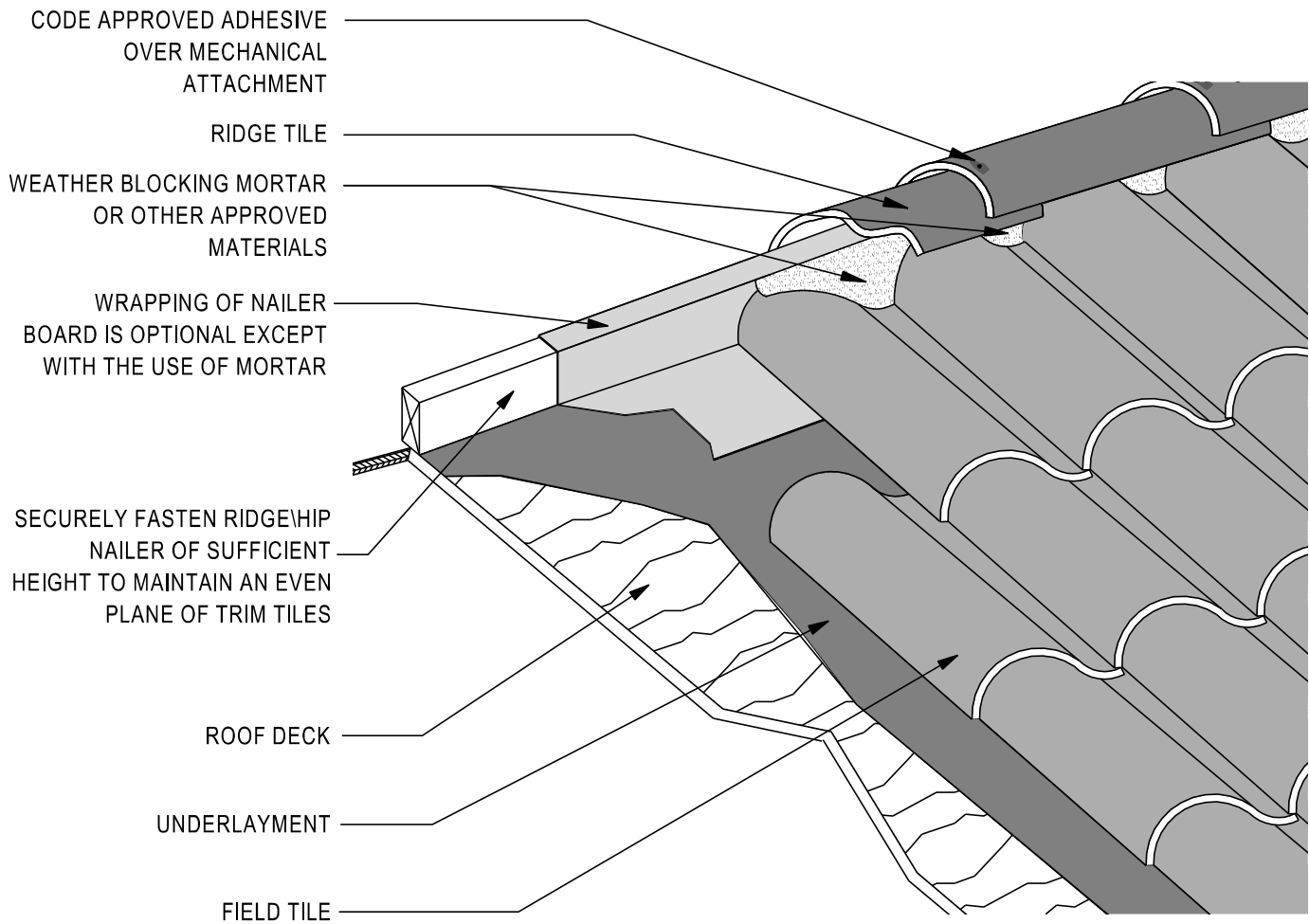


HIP AND RIDGE

MC-18A



Openings at hips, ridges and head walls including chimneys, skylights, solar panels, and downslope horizontal abutments shall be fitted with weather blocking material to keep water on the surface of the field tile. Other methods approved by local building official will be allowed.

Wrapping of nailer board is optional except with the use of mortar. (All profiles of tile)

Notes:

1. For recommended underlayment and fastening requirement, see Table 1A and 1B.
2. All hip and ridge tile are required to have a code approved adhesive or special clip between laps of trim tile to cover nail hole and create a bond between ridge tiles.
3. Battens for tiles with protruding anchor lugs are optional for slopes between 3:12 and 7:12. Direct deck attachment of tile as approved by local building official will be allowed.
4. Dimension shown are minimum and are intended to be approximate to allow for reasonable tolerance due to field conditions, and are practices.

