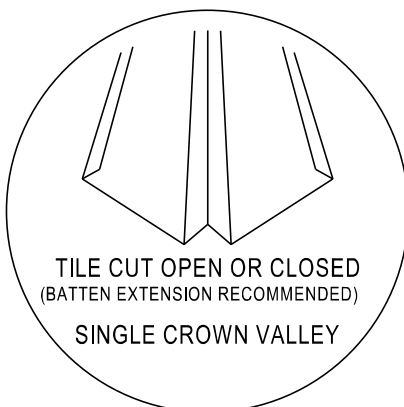
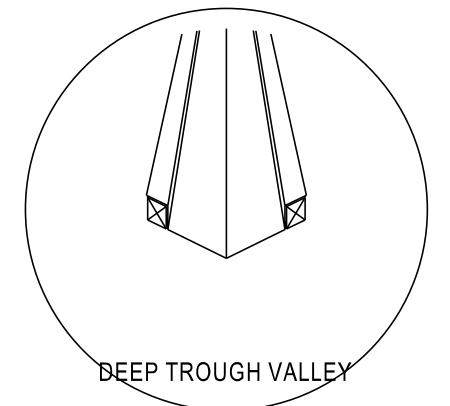
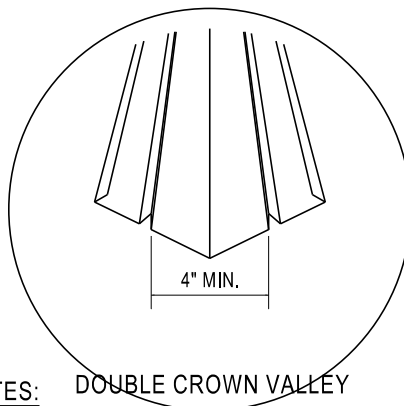
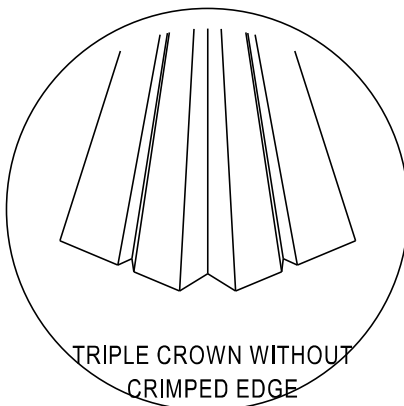
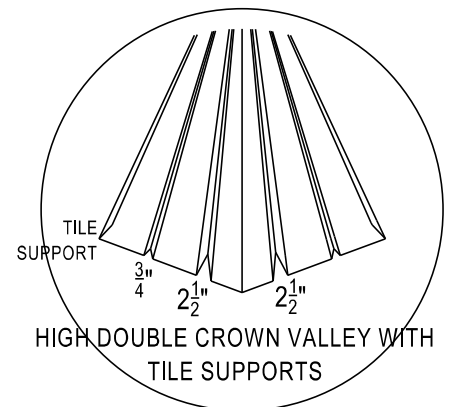
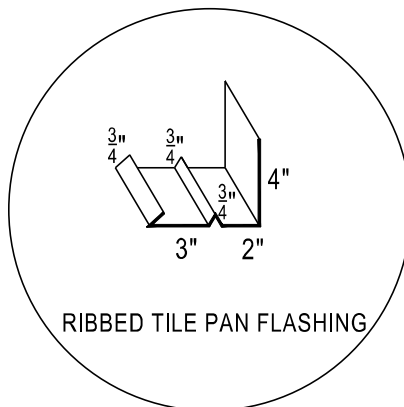
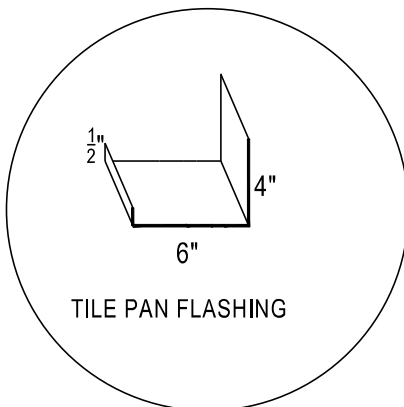
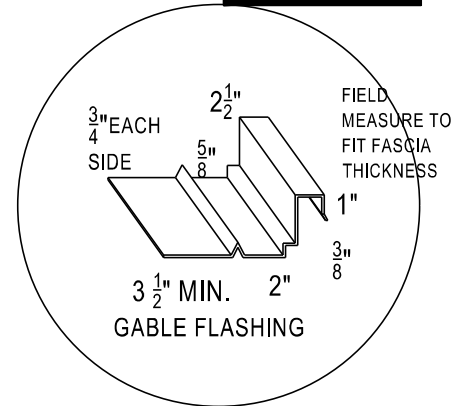
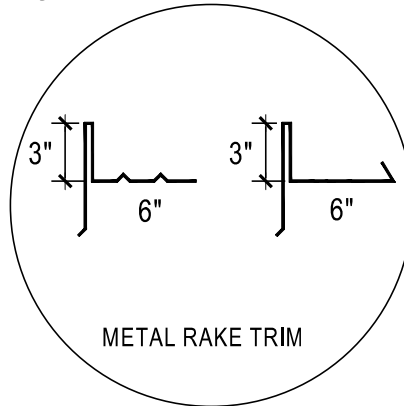
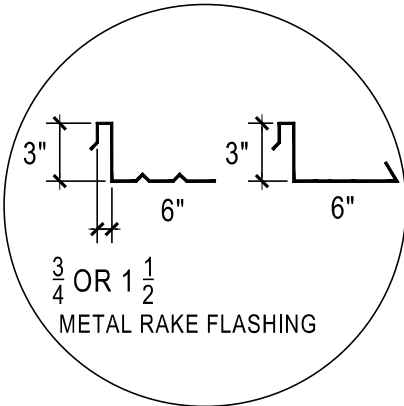


METAL FLASHING EXAMPLES

MC-12B

See MC-19A for additional rake flashing examples



NOTES:

1. These pictures show options that are found in the field at this time; other designs that will handle anticipated water flows may be used upon submissions of supporting data indicating that anticipated water flows are equivalent to the code requirements.
2. Valley metals shall extend 11" each way in compliance with International Building Code (IBC) section 1507.3.9, International Residential Code (IRC) R905.3.8 and Uniform Building Code (UBC) section 1508.4 unless approved by the local building official.
3. Tile valleys may be cut, closed, or open.
4. When flat profiled tile is installed as "Closed Valley" a ribbed valley metal or a single crown valley metal with a batten extension shall be used. Valley metals shall conform to IBC section 1507.3.9, IRC R905.3.8 and UBC section 1508.4.
5. Dimensions shown are minimums and are intended to be approximate to allow for reasonable tolerances due to field conditions, and area practices.
6. All roof flashing shall be minimum of (No. 26 galvanized sheet gauge) not less than 0.019 inch corrosion-resistant metal (G90). See Table A for additional options.

