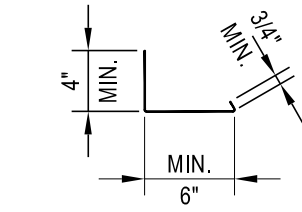
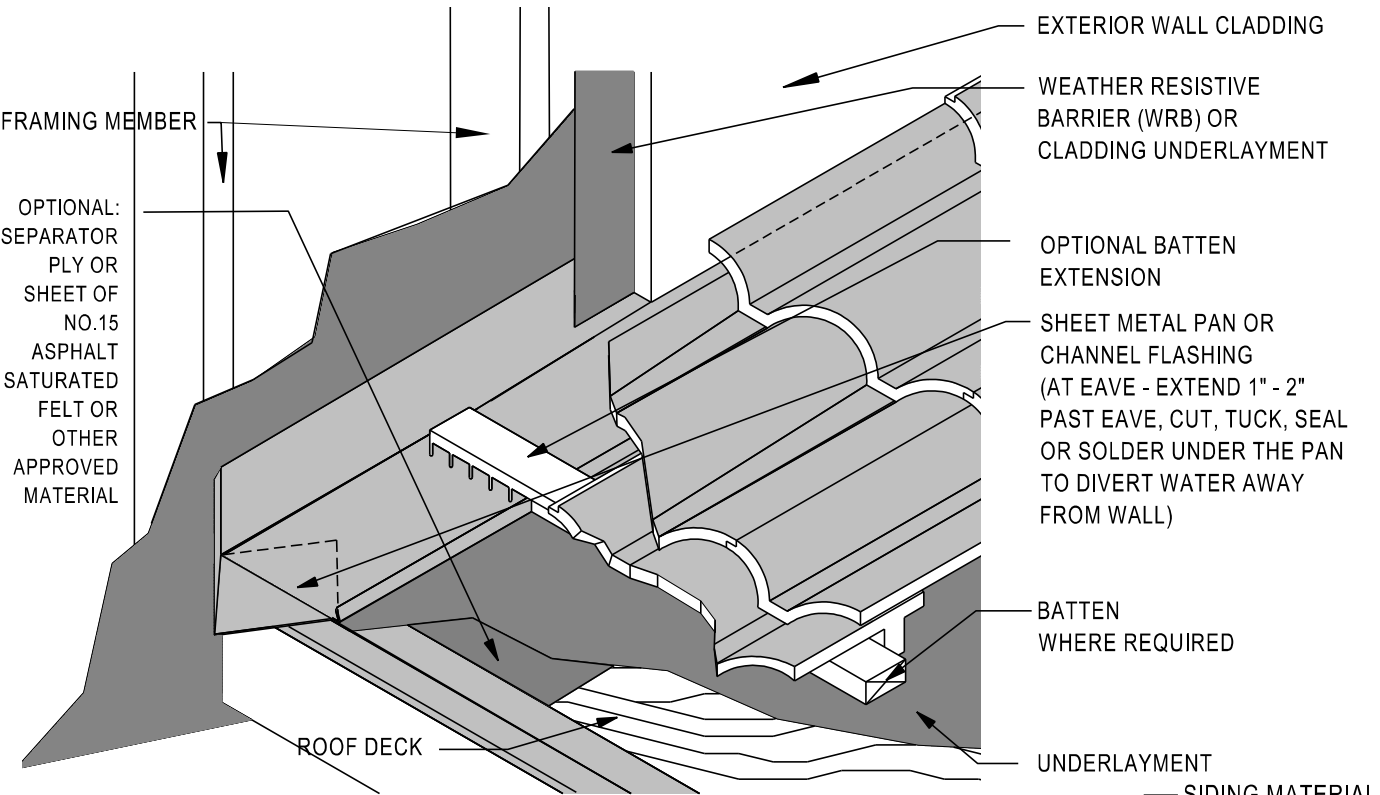


# PAN FLASHING AT ROOF-TO-SIDEWALL

## Where Wall Extends Past Eave

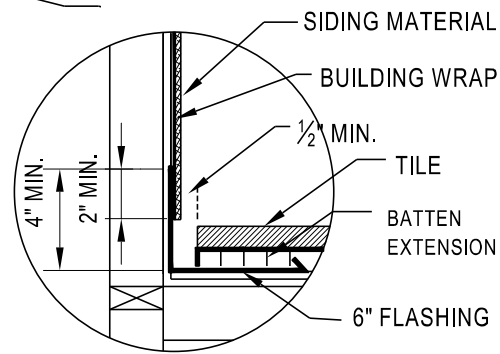
MC-12A



PAN FLASHING

SEE MC-12B FOR ADDITIONAL FLASHING DESIGN INFORMATION

EAVE CLOSURE NOT SHOWN FOR CLARITY



- Notes:
1. For recommended underlayment and fastening requirement, see Table 1A and 1B.
  2. Underlayment shall extend a minimum of 4" up vertical wood blocking or wall.
  3. Sheet metal pan flashing shall extend a minimum of 4" up the vertical wall approximately 6" out over the deck and have a minimum 3/4" return upward.
  4. At terminating tile, cut head lugs where they would otherwise create a daming conditon or drainage impairment. Use a roof tile adhesive approved by the local building officials or use wire ties or batten extender to secure tile.
  5. Dimensions shown are minimums and are intended to be approximate to allow for reasonable tolerances due to field conditions.
  6. Consideration shall be given to tributary area of roof for pan flashing design.
  7. All roof flashing shall be a minimum of (No. 26 galvanized sheet gauge) not less than 0.019 inch corrosion-resistant metal (G90). See Table A for additional options.

