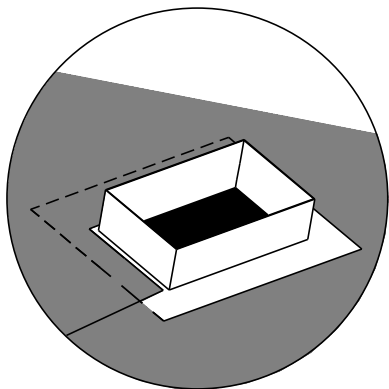
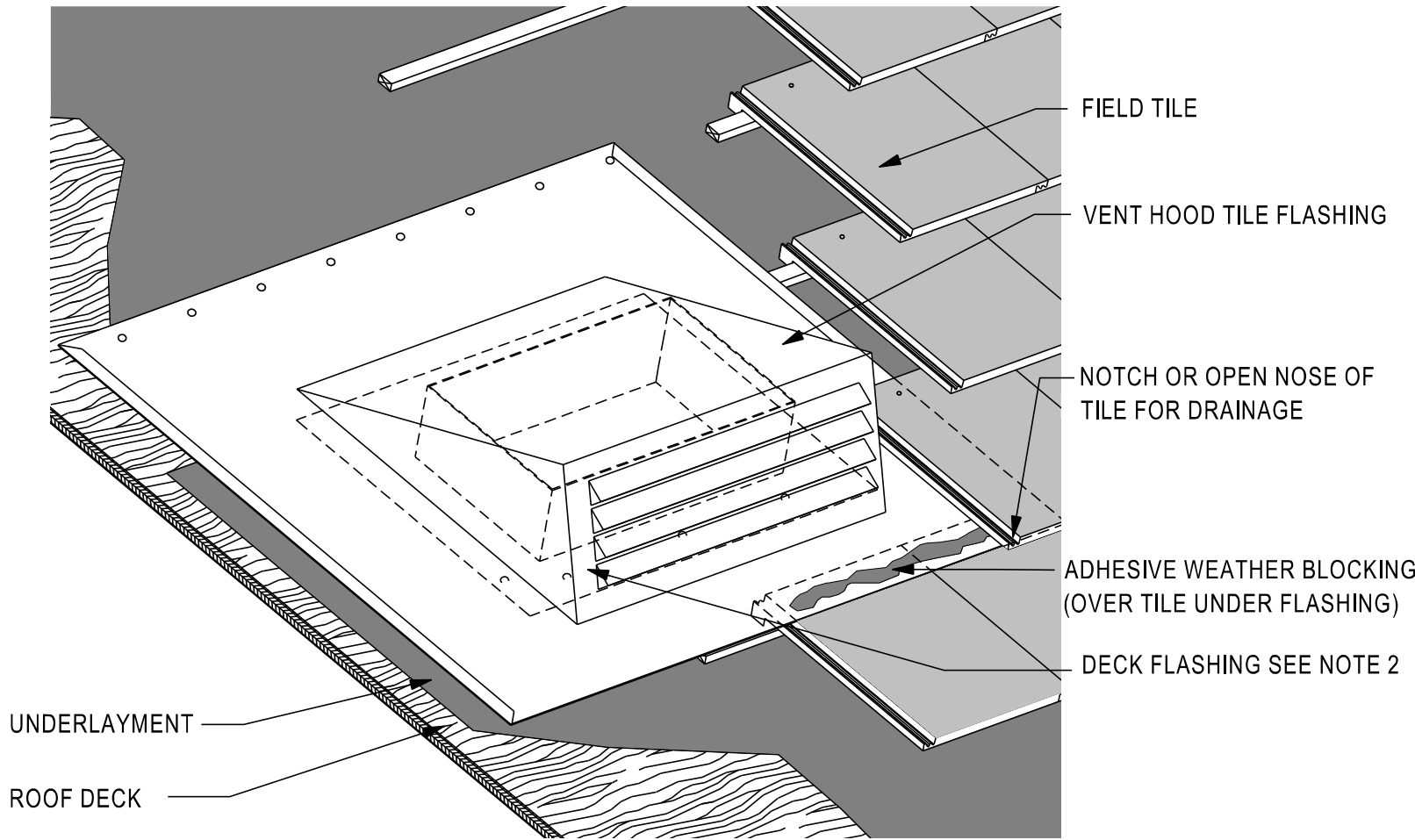


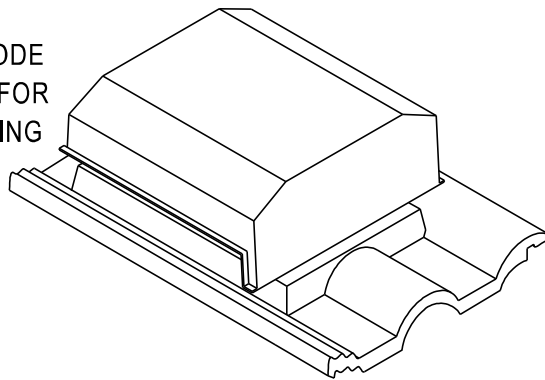
ROOF VENTS (OFF RIDGE)

MC-21

VENTS TO BE INSTALLED PER VENT MANUFACTURER INSTRUCTIONS



NOTE:
CHECK LOCAL CODE
REQUIREMENTS FOR
VERMIN SCREENING



UNDERLAYMENT DETAIL
AT DECK FLASHING

VENTED TILES AVAILABLE TO MATCH
INDIVIDUAL TILE MANUFACTURER PROFILES.

HEIGHT OF FLASHING TO BE MINIMUM 1/2"

Notes:

1. One layer of No. 30 asphalt-saturated felt complying with ASTM D-226 (ASTM D4869 Type IV) or approved equal is required as a minimum underlayment on all tile roof applications. Other underlayments as approved by local building officials will be allowed.
2. A secondary flashing, as depicted in the left inset drawing, is required around the penetration to prevent moisture intrusion should water reach the underlayment, under the roof tile. This secondary or deck flashing is required with all tiles.
3. For climates with wind driven rain or blowing snow, consult local building official for approved application.
4. Where flashing is of metal should be minimum of (No. 26 galvanized sheet gauge) not less than 0.019 inch corrosion-resistant metal (G90). See Table A for additional options.

