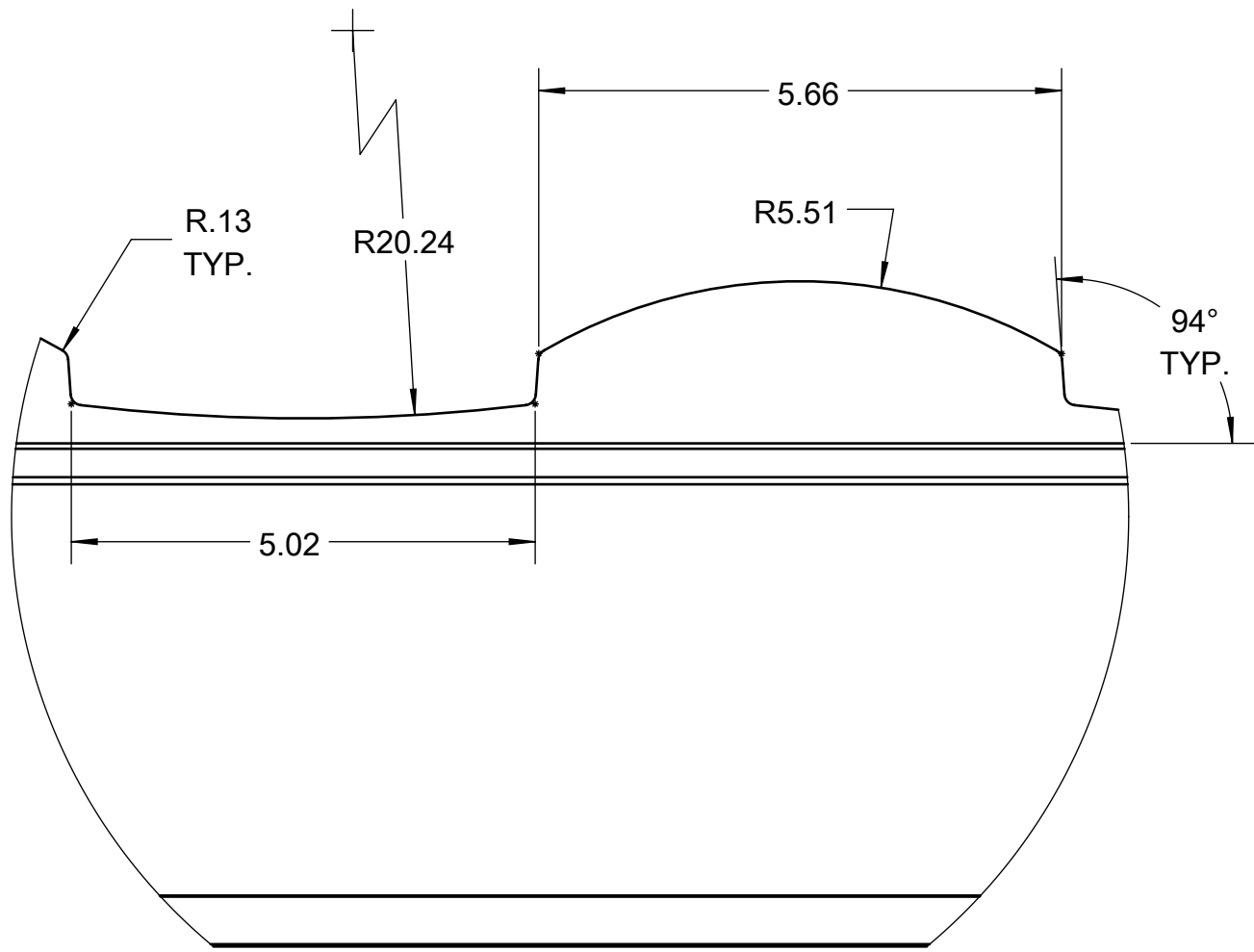
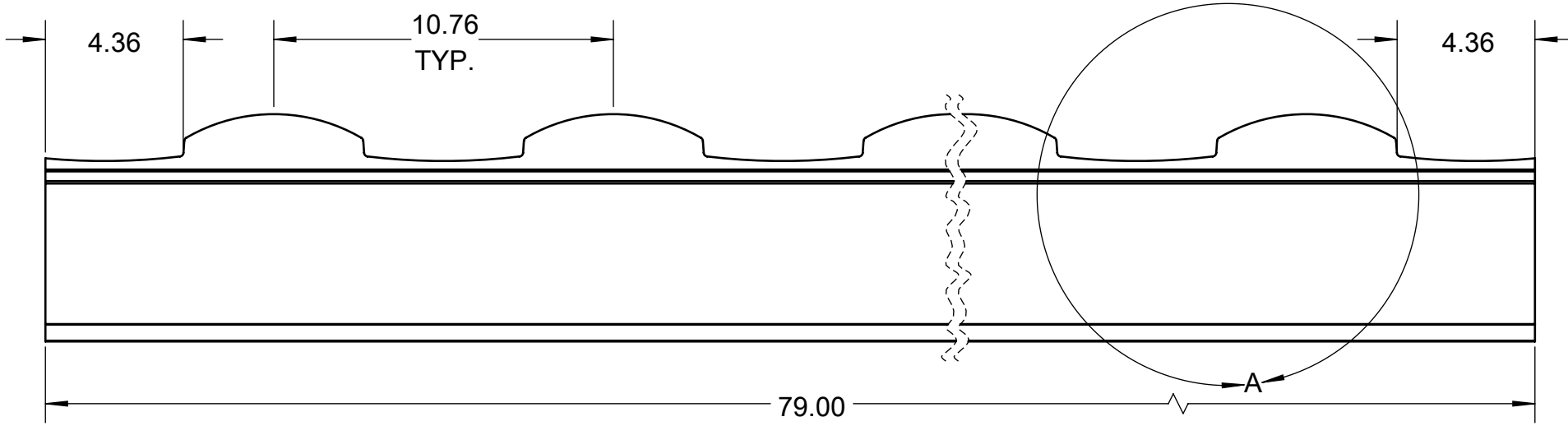
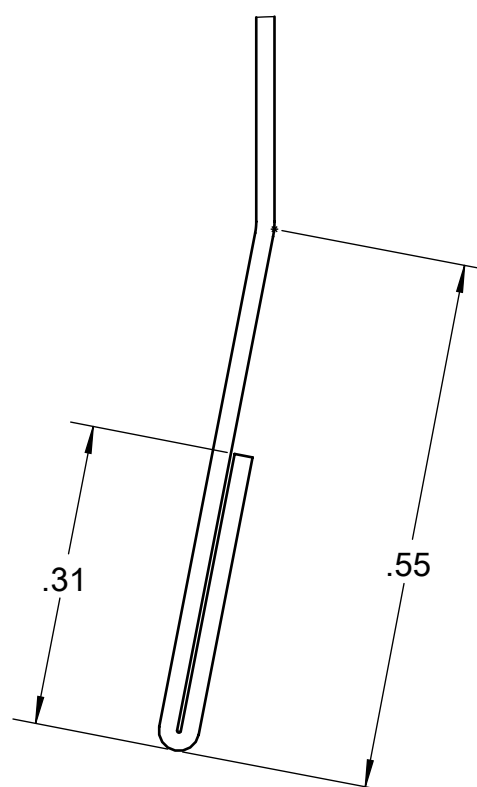


SURFACE COATING SPEC.	
Description	
BARE (See material description)	
STONE COATED*	
PAINTED (COLOR)	
a) 0.7 mil - 0.8 mil POLYESTER	
PRIMER	
a) 0.2 mil - 0.4 mil POLYESTER	

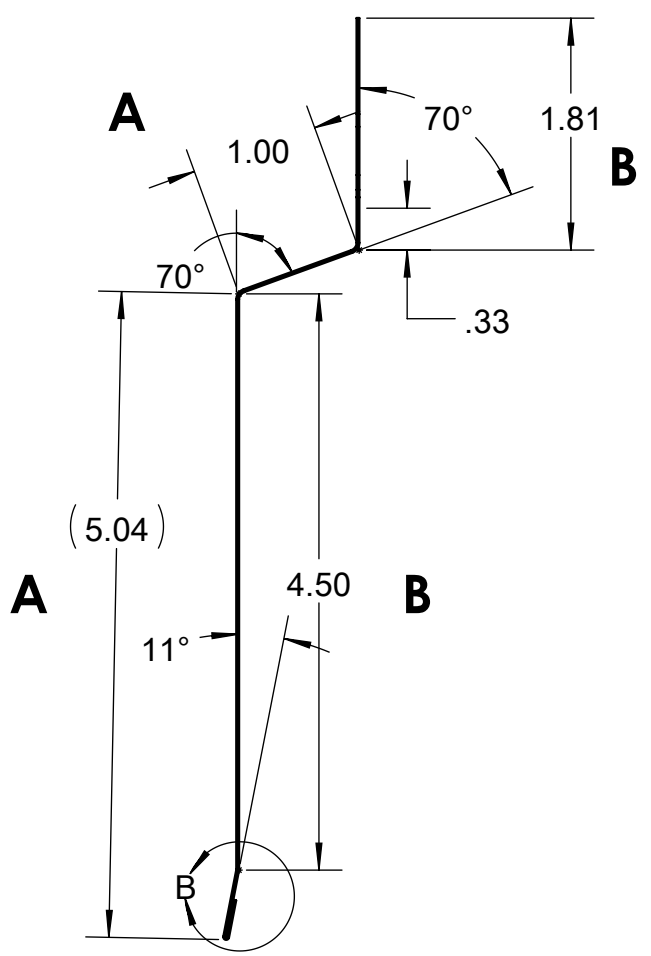
SAP#	Description	Surface A	Surface B
-	Barrel Vault Birdstop 5"	Stone Coated	Bare



DETAIL A  
SCALE 1 : 2



DETAIL B  
SCALE 5 : 1



NOTE: MATERIAL SIZE, FLAT STOCK: W X L= 8 1/8" X 79"  
BOTH SIDE COIL COATING: 0.2 mil ± 0.005 mil CLEAR OR TINTED WATER BASED ACRYLIC

\* STONE COATING SHALL BE APPLIED TO BARE FORMED PART BY BORAL ROOFING.

REFERENCE:  
APPROX WEIGHT: 3.09 lb

REVISIONS					MATERIAL: 0.0170"± 0.0005" THICKNESS, ASTM A792, AZ50, (40 ksi Min)	UNLESS OTHERWISE SPECIFIED TOLERANCES ARE: SURFACE FINISH: SEE DRAWING TOLERANCES: ±.050" ANGULAR: ±3°	SAP#		
ZONE	REV.	DESCRIPTION	DATE	APPROVED			TITLE	DATE	
						DRAWN S. Barry CHECKED J. Haniff APPROVED C. Falatoon ASSY. DRAWING	DATE 11/16/2018 DATE 1/2/2019 DATE 09/20/2019	SHEET 1 OF 1 DRAWING NUMBER <b>PT-0641</b>	REV A SIZE A3
COPYRIGHT © 2010 BORAL ROOFING						SCALE 1:10 UNLESS NOTED			