

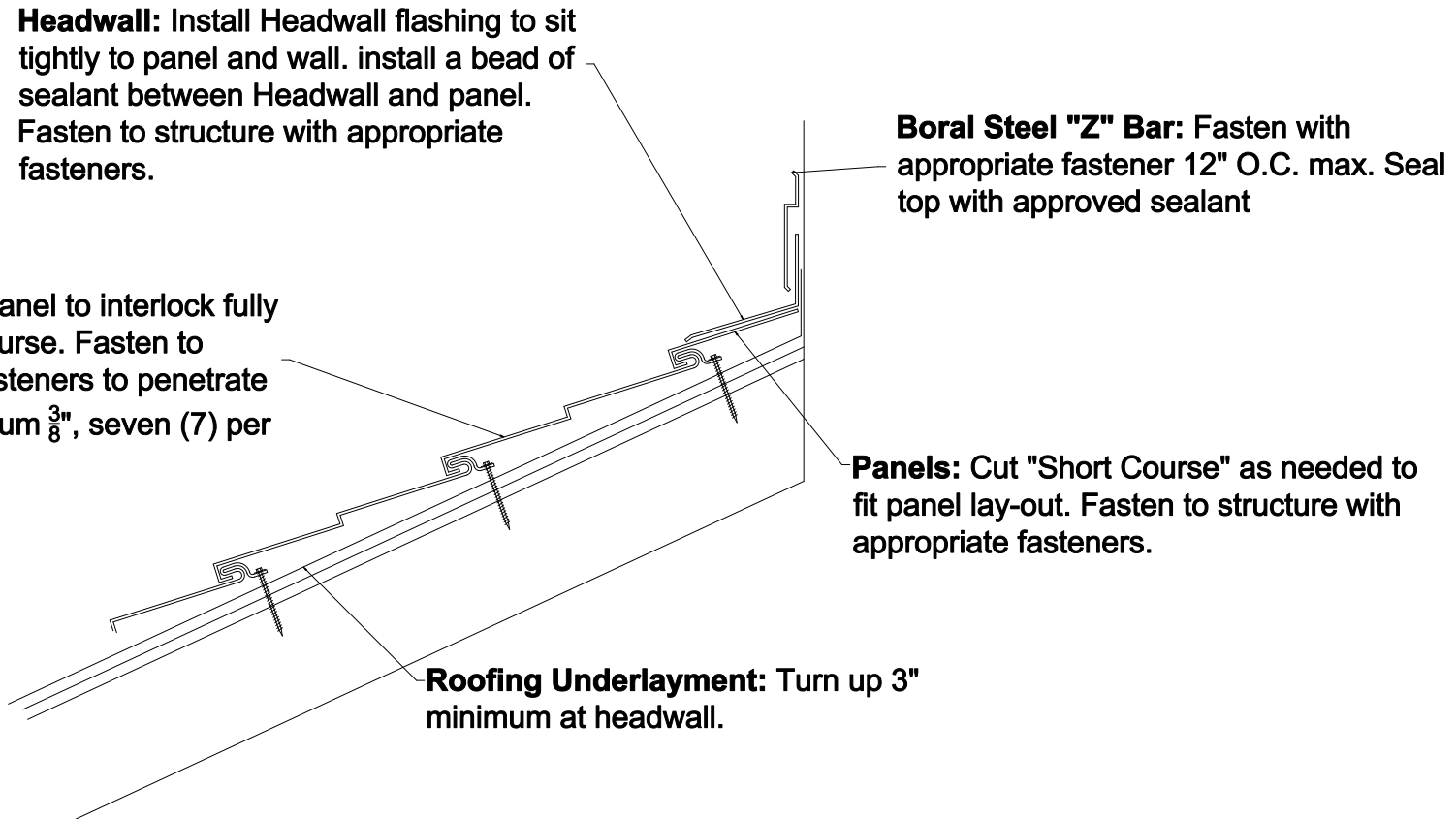
Boral Steel® Architectural Details are divided into three (3) categories based on the install method used:

BATTEN (Panel is exposed fastened & mounted onto a wood 2x2 batten or steel hat channel)

DIRECT (Panel is exposed fastened & mounted Direct-to-the roof-deck)

GRANITE-RIDGE Shingle (Panel is hidden fastened & mounted Direct-to-the roof-deck)

Architectural details provided for Boral Steel® customers only



Profiles:

GRANITE-RIDGE Shingle

**GRANITE-RIDGE Shingle
Headwall with Z-Bar**

Boral Steel Stone Coated Roofing
7575 Irvine Ctr Dr Suite 100, Irvine, CA 92618

**Drawings
are not to
scale**