

Boral Steel® Architectural Details are divided into three (3) categories based on the install method used:

Architectural details provided for Boral Steel® customers only

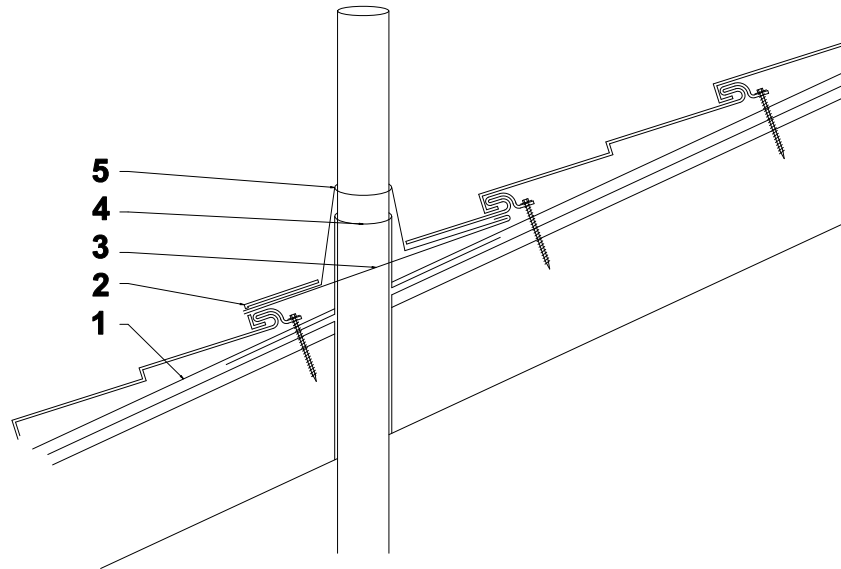
BATTEN (Panel is exposed fastened & mounted onto a wood 2x2 batten or steel hat channel)

DIRECT (Panel is exposed fastened & mounted Direct-to-the roof-deck)

GRANITE-RIDGE Shingle (Panel is hidden fastened & mounted Direct-to-the roof-deck)

Pipe Jack Tray:

1. Install Underlayment to prevailing building code, minimum ASTM D226 type II
2. GRANITE-RIDGE Shingle, cut tight to pipe flashing and seal around hole penetration. Notch nose to allow drainage from Pipe Jack Tray.
3. Pipe Jack Tray. Cut tight to pipe penetration.
4. (If needed) Galvanized pipe jack, installed for "dry-in" state.
5. Granule coated pipe flashing, seal top with approved sealant.



Profiles:

GRANITE-RIDGE Shingle

**GRANITE-RIDGE Shingle
Pipe Flashing**

Boral Steel Stone Coated Roofing
7575 Irvine Ctr Dr Suite 100, Irvine, CA 92618

Drawings
are not to
scale