

Boral Steel® Architectural Details are divided into three (3) categories based on the install method used:

Architectural details provided for Boral Steel® customers only

BATTEN (Panel is exposed fastened & mounted onto a wood 2x2 batten or steel hat channel)

DIRECT (Panel is exposed fastened & mounted Direct-to-the roof-deck)

GRANITE-RIDGE Shingle (Panel is hidden fastened & mounted Direct-to-the roof-deck)

Boral ZBar Attachment:

Fasten to the wall at maximum 24" on center. Seal top with appropriate sealant to prevent water infiltration.

GRANITE-RIDGE Shingle:

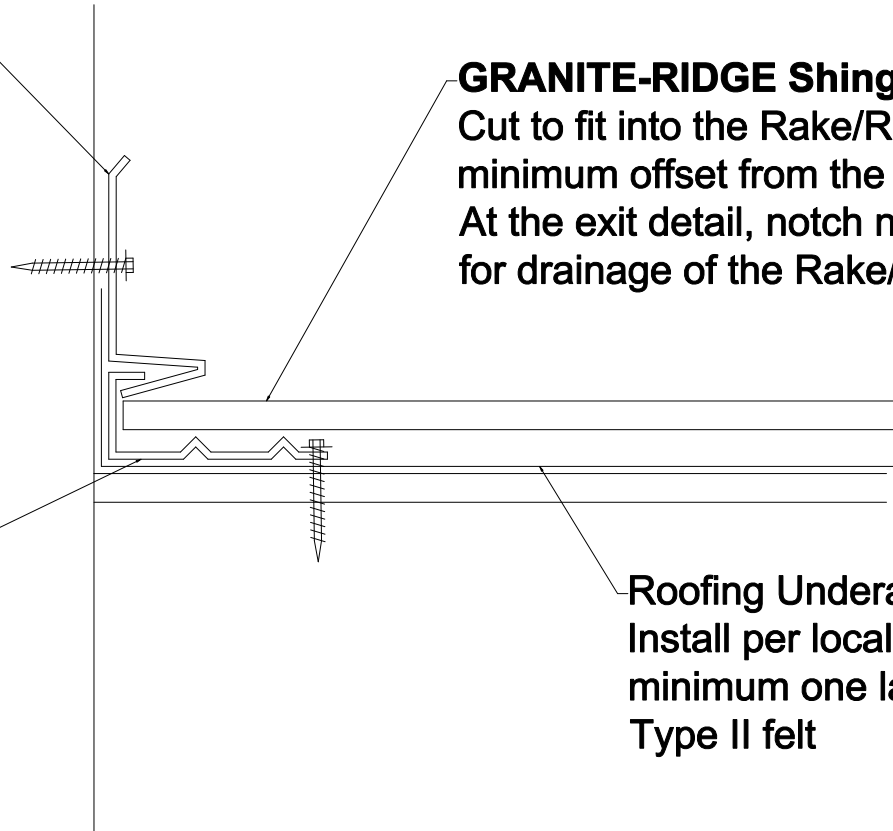
Cut to fit into the Rake/Roof-to-Wall at a 9" minimum offset from the previous course. At the exit detail, notch nose hook to allow for drainage of the Rake/Roof-to-Wall.

Rake/Roof-to-Wall:

Fasten to decking with 1 1/2" screws at 24" on center. Fastener to be in the outside leg of the channel.

Roofing Underlayment:

Install per local building code, minimum one layer ASTM D226 Type II felt



Profiles:

GRANITE-RIDGE Shingle

**GRANITE-RIDGE Shingle
Side Wall with Z-Bar Attachment**

Boral Steel Stone Coated Roofing
7575 Irvine Ctr Dr Suite 100, Irvine, CA 92618

Drawings
are not to
scale