

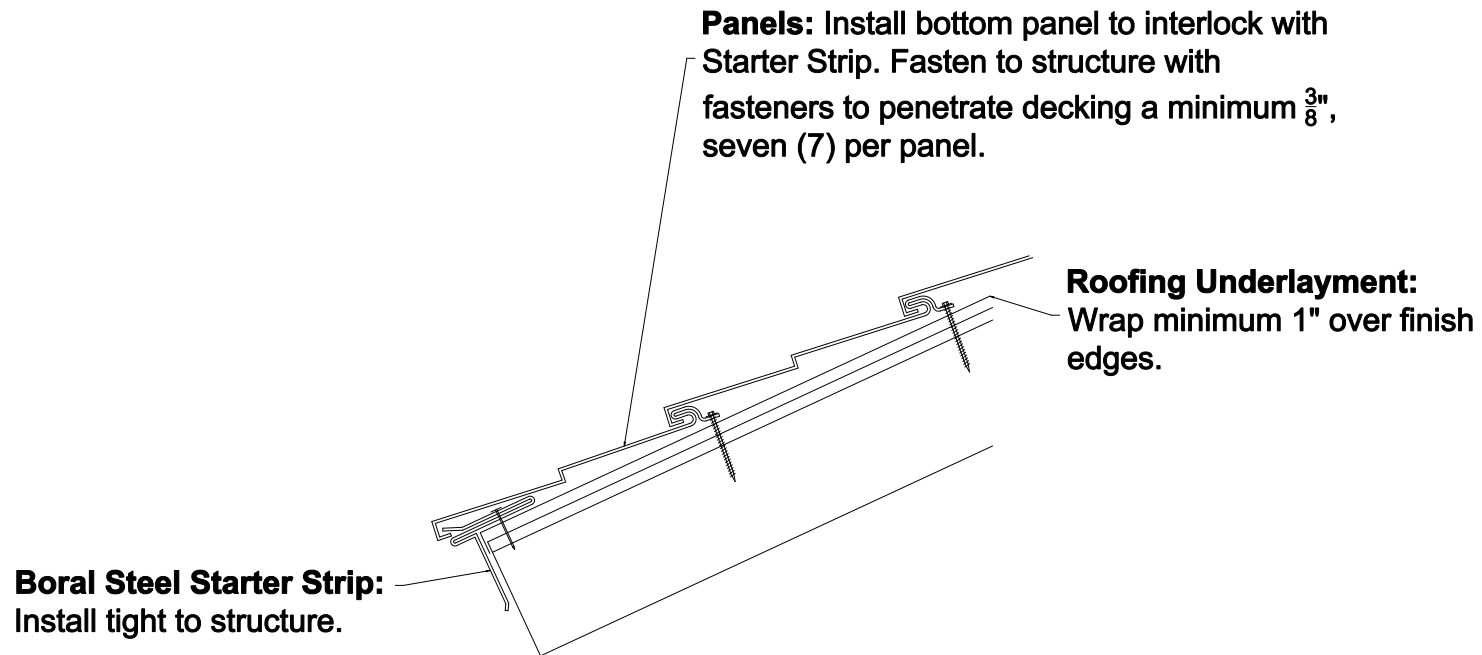
*Boral Steel® Architectural Details are divided into three (3) categories based on the install method used:*

*Architectural details provided for Boral Steel® customers only*

**BATTEN** (Panel is exposed fastened & mounted onto a wood 2x2 batten or steel hat channel)

**DIRECT** (Panel is exposed fastened & mounted Direct-to-the roof-deck)

**GRANITE-RIDGE Shingle** (Panel is hidden fastened & mounted Direct-to-the roof-deck)



*Profiles:*

*GRANITE-RIDGE Shingle*

**GRANITE-RIDGE Shingle  
Starter Strip - Eave**

**Boral Steel Stone Coated Roofing**  
7575 Irvine Ctr Dr Suite 100, Irvine, CA 92618

Drawings  
are not to  
scale