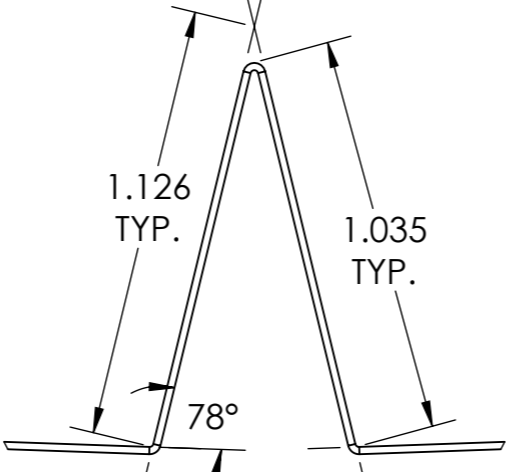
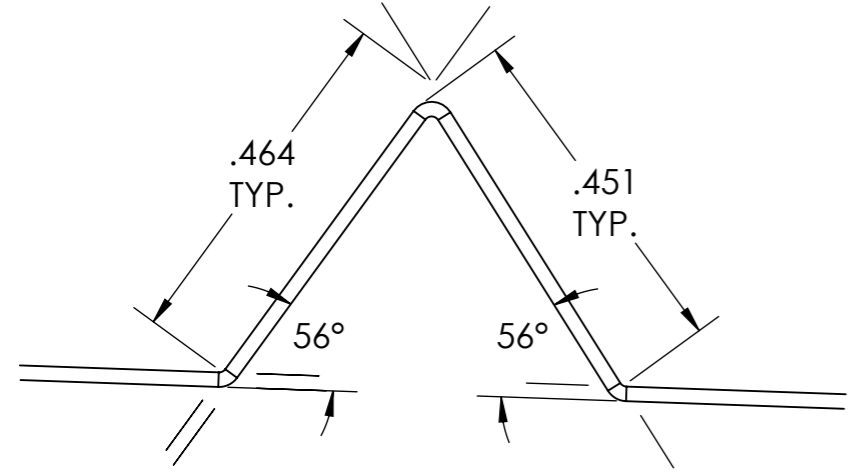
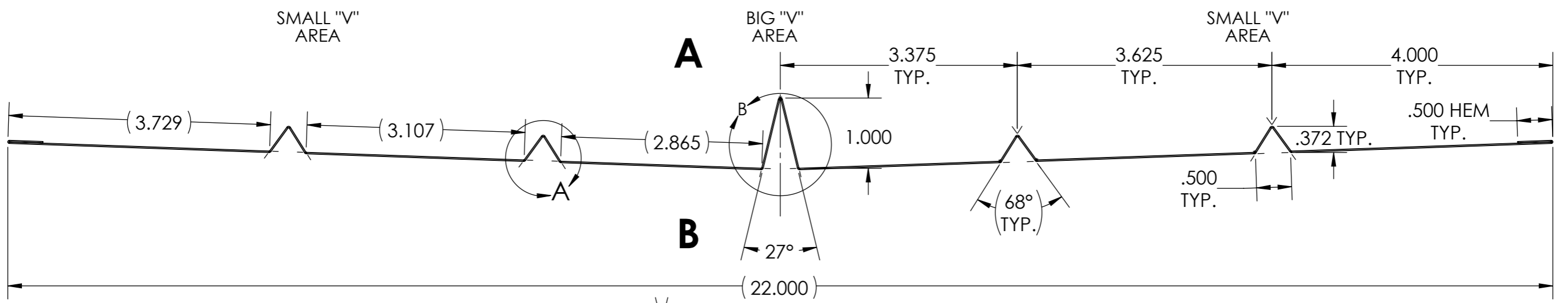



SURFACE COATING SPEC.	
Description	
BARE (See material description)	
STONE COATED	
PAINTED (COLOR)	
a) 0.7 mil - 0.8 mil POLYESTER	
PRIMER	
a) 0.2 mil - 0.4 mil POLYESTER	

SAP#	Description	Surface A	Surface B
92125	Valley (Five V) 1" x 22" x 120"	Bare	Bare
92525	Valley (Five V) 1" x 22" x 120"	Black	Bare, Paint, or Primer
92526	Valley (Five V) 1" x 22" x 120"	Brown	Bare, Paint, or Primer



NOTE: MATERIAL SIZE, FLAT STOCK: W X L= 26" X 120"

REFERENCE: 855-ME070-00
APPROX WEIGHT: 16.75 lb

REVISIONS					MATERIAL: 0.0170± 0.0005" THICKNESS, G90 GALVANIZED OR AZ50 GALVALUME 	UNLESS OTHERWISE SPECIFIED TOLERANCES ARE: SURFACE FINISH: SEE DRAWING TOLERANCES: ± 0.050" ANGULAR: ± 3°	SAP# 92125	
ZONE	REV.	DESCRIPTION	DATE	APPROVED			TITLE VALLEY (FIVE V), CLOSED HEM.	
COPYRIGHT © 2010 BORAL ROOFING					DRAWN S. Barry CHECKED J. Haniff APPROVED C. Falatoon ASSY. DRAWING	DATE 12/18/2018 DATE 4/2/2019 DATE 09/20/2019	SHEET 1 OF 1 DRAWING NUMBER PT-0653	REV A SIZE A3
					SCALE 2:3 UNLESS NOTED			