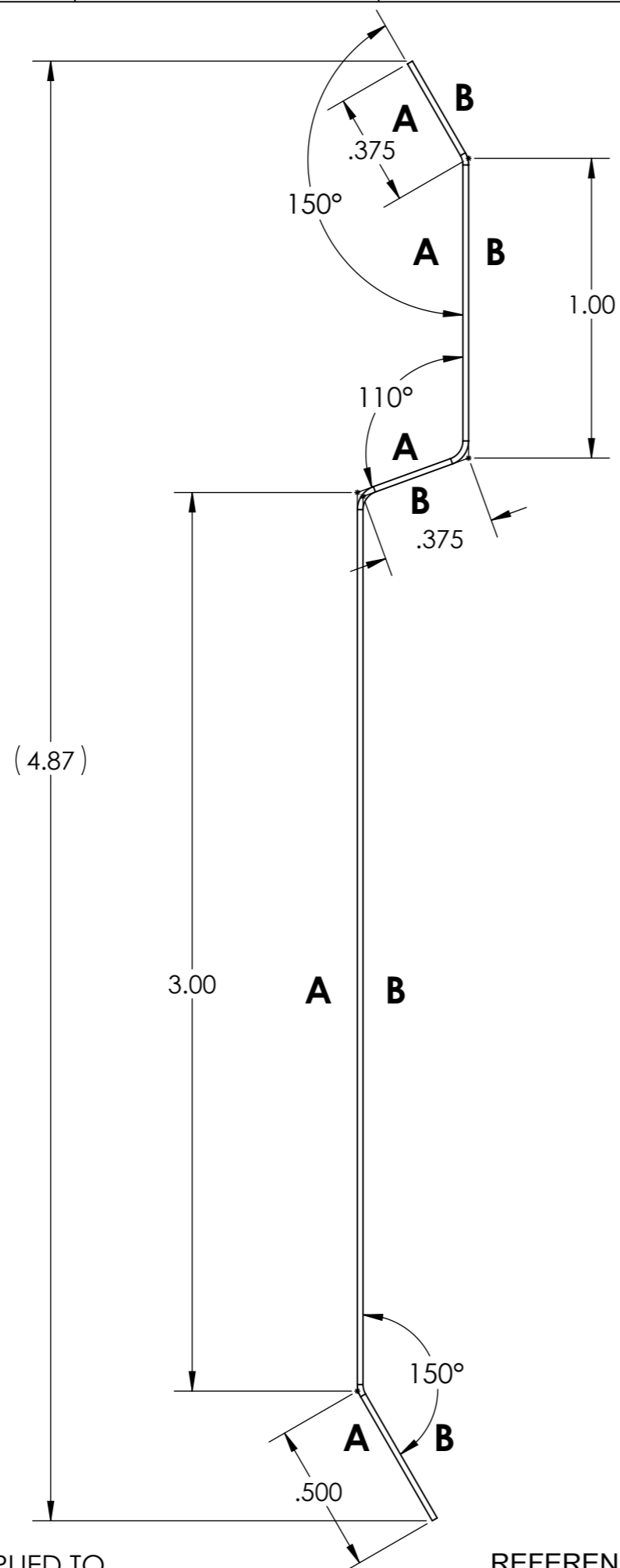


| SURFACE COATING SPEC. | |
|---------------------------------|--|
| Description | |
| BARE (See material description) | |
| STONE COATED* | |
| PAINTED (COLOR) | |
| a) 0.7 mil - 0.8 mil POLYESTER | |
| PRIMER | |
| a) 0.2 mil - 0.4 mil POLYESTER | |




| SAP# | Description | Surface A | Surface B |
|------|---------------|--------------|-----------|
| - | Z-Bar (Large) | Stone Coated | Bare |

NOTE: MATERIAL SIZE, FLAT STOCK: W X L= 5.25" X 79"
 BOTH SIDE COIL COATING: 0.2 mil ± 0.005 mil CLEAR OR TINTED WATER BASED ACRYLIC

* STONE COATING SHALL BE APPLIED TO BARE FORMED PART BY BORAL ROOFING.

REFERENCE:
 APPROX WEIGHT: 2.20lb

| REVISIONS | | | | | MATERIAL: 0.0170"± 0.0005" THICKNESS, ASTM A792, AZ50, (40 ksi Min) | UNLESS OTHERWISE SPECIFIED TOLERANCES ARE: SURFACE FINISH: SEE DRAWING TOLERANCES: ANGULAR: ±3° | SAP# | |
|---|------|-------------|------|------------|---|---|--|------------|
| ZONE | REV. | DESCRIPTION | DATE | CHANGED BY | | | TITLE | UNIT: INCH |
| | | | | |  | DRAWN I. Haniff DATE 5/17/2018 CHECKED S. Barry DATE 1/2/2019 APPROVED C. Falatoon DATE 09/20/2019 ASSY. DRAWING | Z-BAR (LARGE) | |
| | | | | | | | SHEET 1 OF 1 DRAWING NUMBER PT-0627 | REV A |
| COPYRIGHT © 2010 BORAL ROOFING <small>This drawing is the property of BORAL ROOFING and is subject to return upon demand. It is submitted for the confidential use of the borrower and only in connection with proposals or contracts of this organization upon the expressed condition that it is not to be reproduced, copied, lent or otherwise disposed of directly or used directly or indirectly in any way detrimental to BORAL ROOFING and its subsidiaries.</small> | | | | | | SCALE 4:1 UNLESS NOTED | | SIZE A3 |