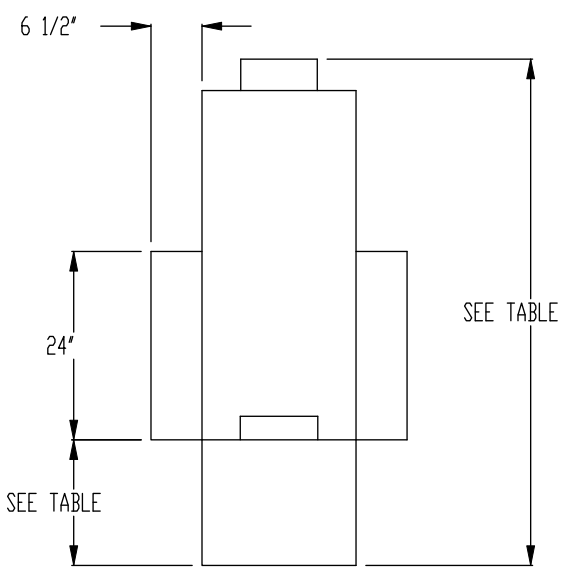
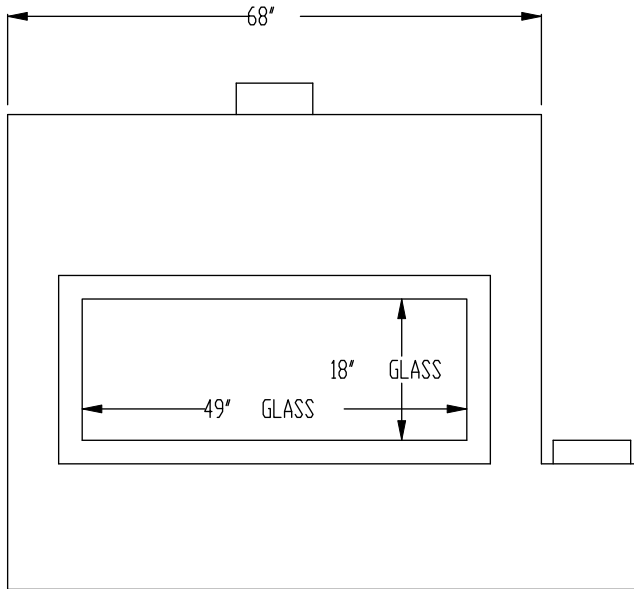
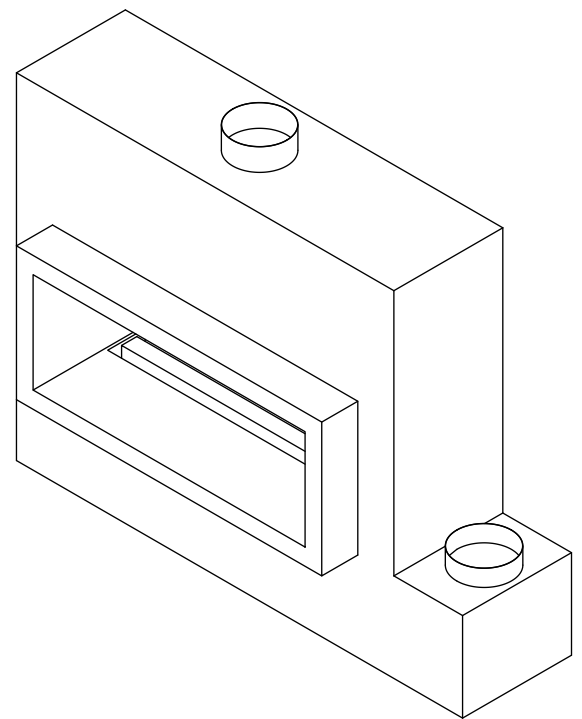
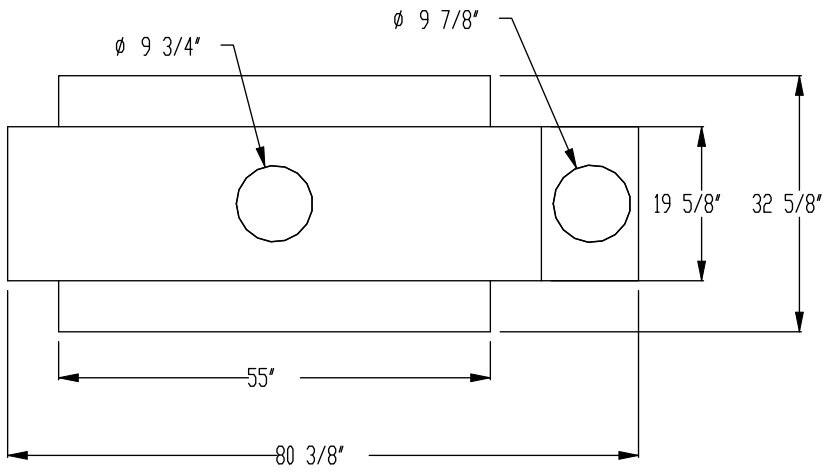


June-26-15 8:54:40 AM
Y:\CAD\DWG Custom Templates\AR CAD\SEE THRU\PASSIVE\C420ST_CP_S




AVAILABLE IN 3FT - 24FT BURNER

	PASSIVE		COOLPACK	
	BASE HEIGHT	OVERALL HEIGHT	BASE HEIGHT	OVERALL HEIGHT
SIDE AIR INTAKE	16"	64.5"	16"	64.5"
FRONT	16"	64.5"	23"	71.5"
BOTTOM	16"	64.5"	16"	64.5"
REAR	16"	64.5"	23"	71.5"
ONE SIDE L/R	16"	64.5"	23"	71.5"

CONTACT MONTIGO FOR CHANGES TO DIMENSIONS

PRELIMINARY
C420ST_CP_S RIGHT INTAKE



DIMENSIONS ARE IN INCHES TOLERANCES: FRACTIONAL ± 1/8"		NAME	DATE		REV.
		DRAWN BY	TMC 26/06/2015		
		CHECKED BY		SIZE A DWG. NO. C420ST_CP_S	REV.
		MATERIAL			
		FINISH		SCALE 1:25	WEIGHT:
				SHEET 1 OF 1	

PROPRIETARY AND CONFIDENTIAL