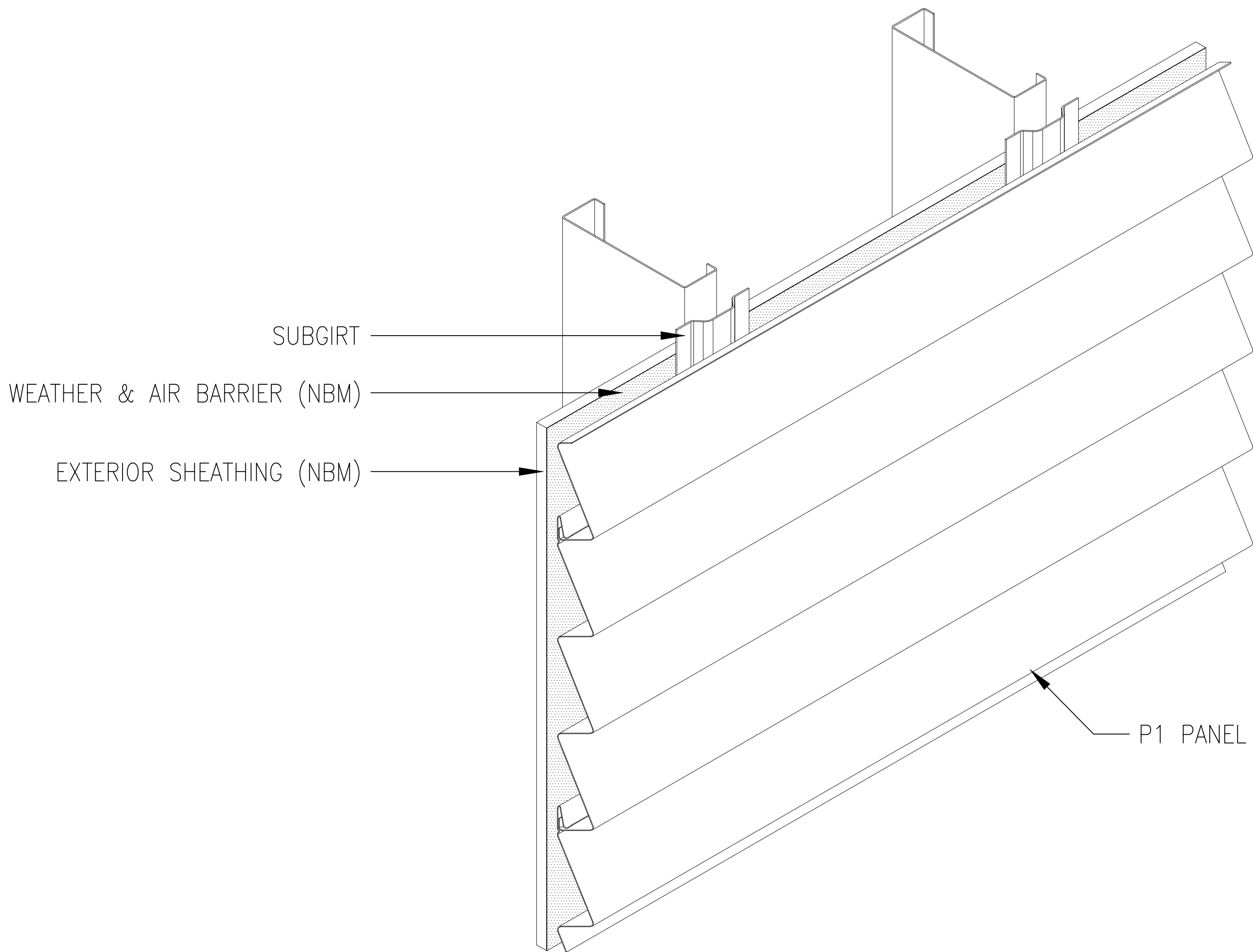


Index

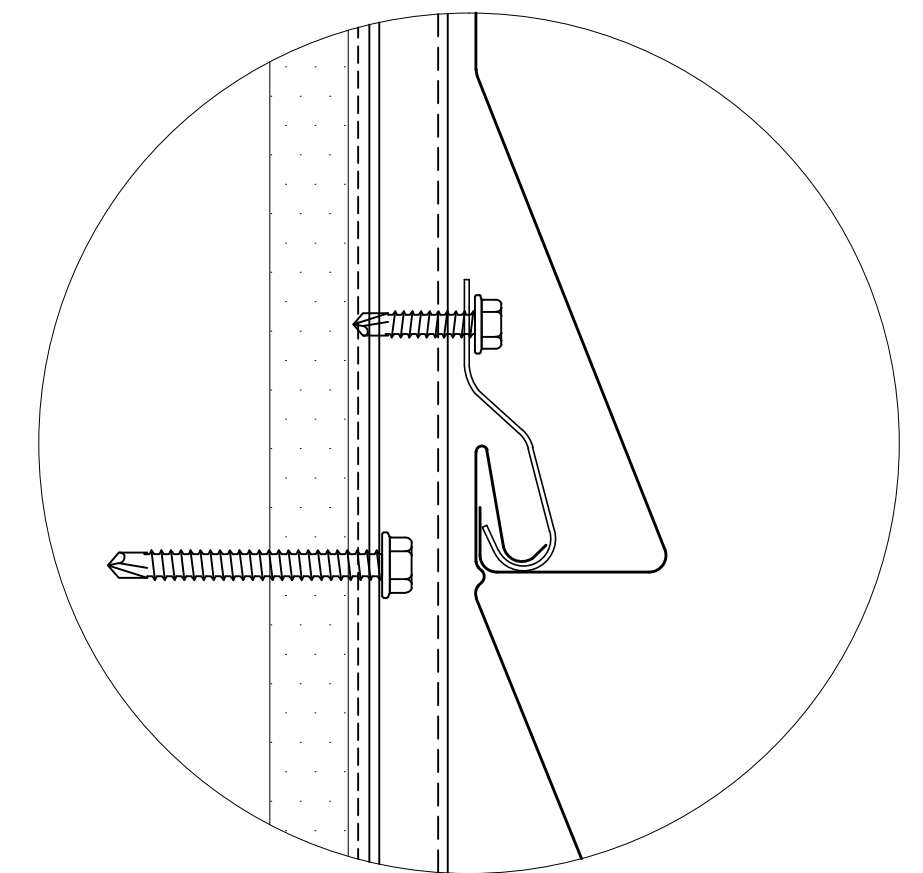
P1 Panel Assembly.....	1
P2 Panel Assembly.....	2
P3 Panel Assembly.....	3
P4 Panel Assembly.....	4
P9 Panel Assembly.....	5
Coping Detail.....	6
Base at Curb or Edge of Slab Detail.....	7
Base at Slab Detail.....	8
Reveal Trim Detail.....	9
Transition Trim Detail.....	10
End Lap Detail.....	11
Door/Window/Louver Head Detail.....	12
Door/Window/Louver Sill Detail.....	13
Door/Window/Louver Jamb Detail.....	14
Intersection of Head/Jamb/Sill.....	15
Front Soffit	16
Front Soffit	17
Back Soffit	18
Back Soffit	19
Endwall	20
Outside Corner (w/ Miterseam).....	21
Outside Corner	22
Inside Corner (w/ Miterseam).....	23
Inside Corner	24
Penetration Detail.....	25

*MANUAL DOES NOT APPLY TO ZINC OR COPPER APPLICATIONS

Pulse Wall Series Horizontal with Trim



INSTALL PANELS BOTTOM TO TOP

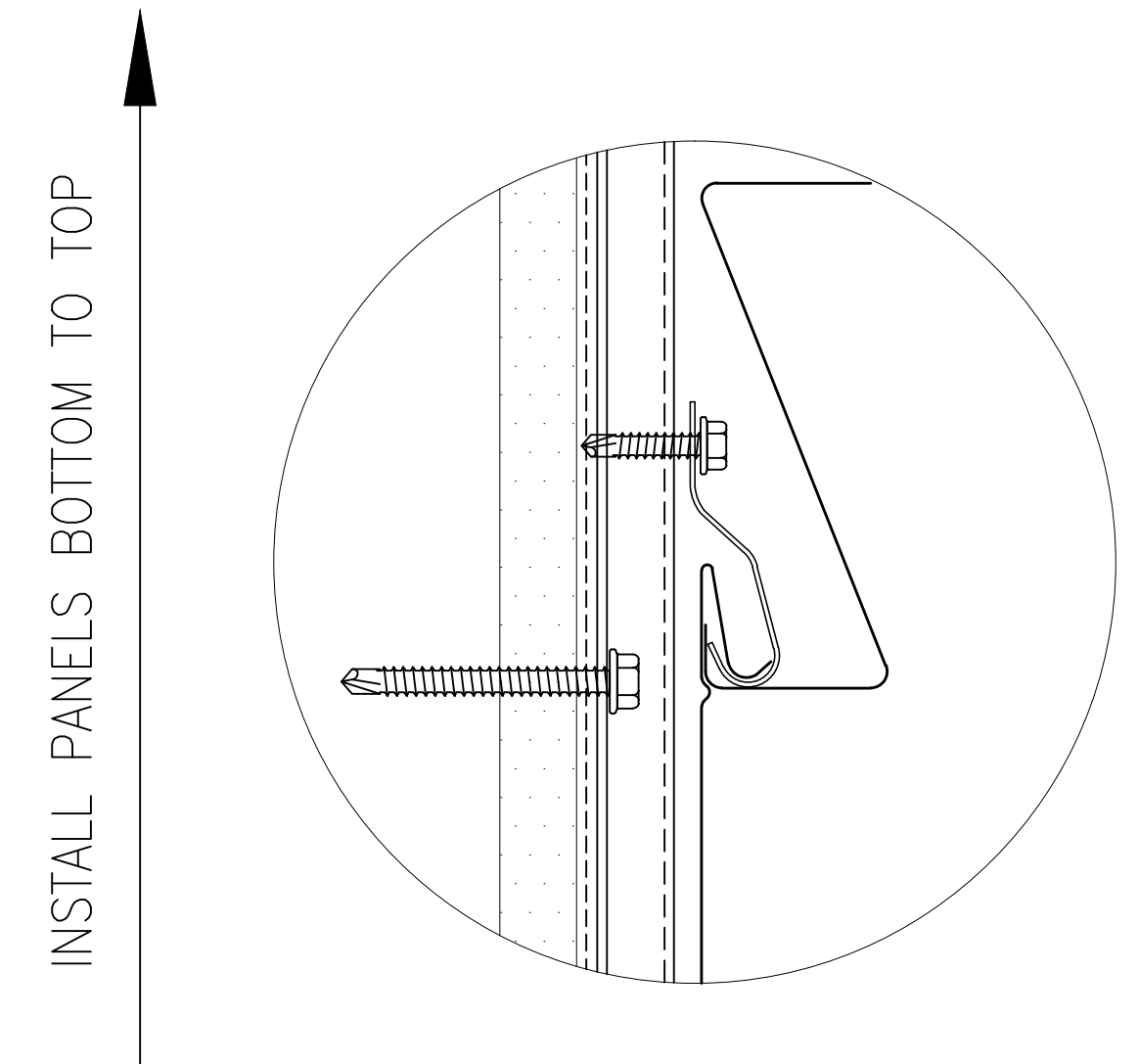
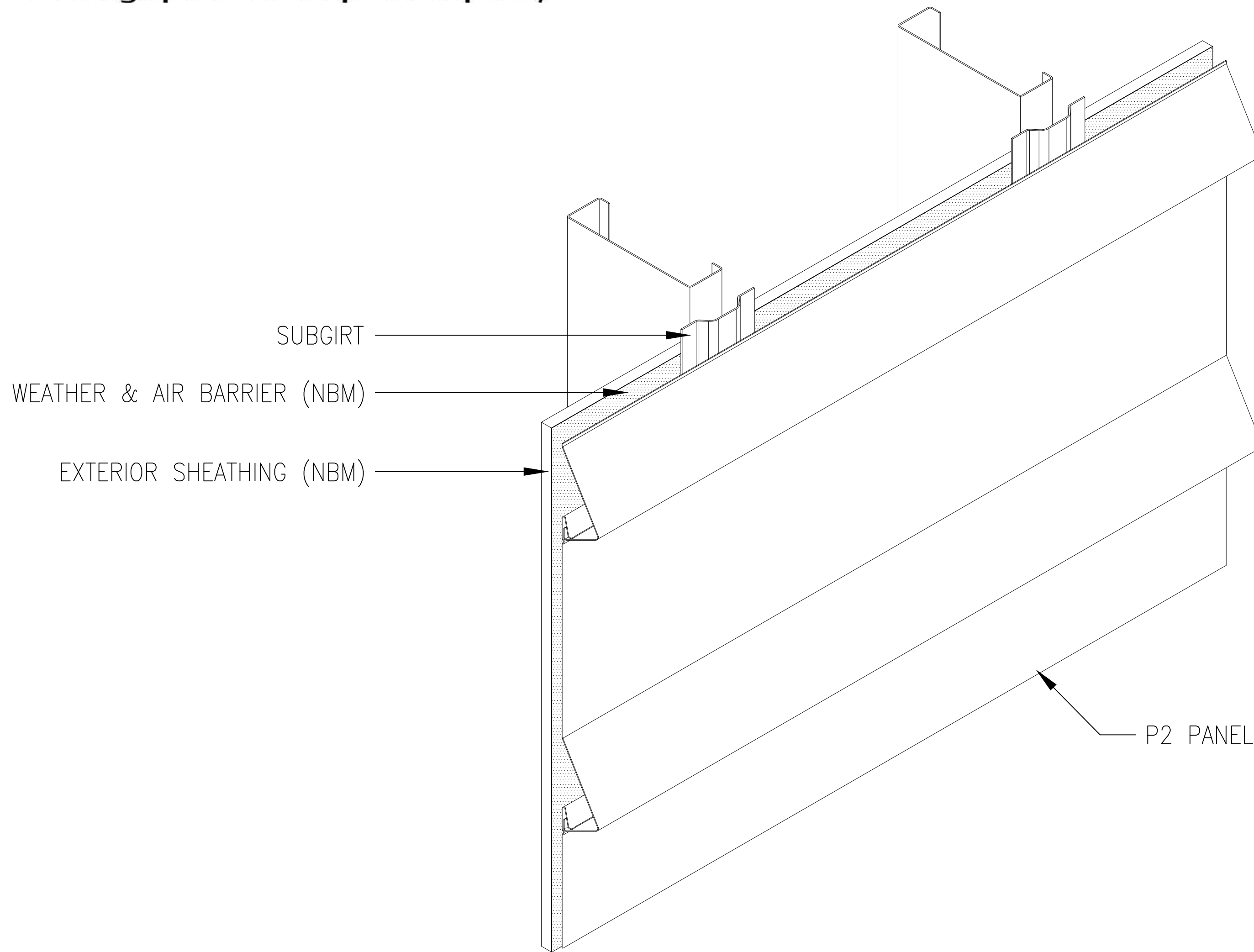


CLIP ATTACHMENT

P1

NOTE: (NBM) = NOT BY MORIN
(*) PER FIELD CONDITIONS

Pulse Wall Series Horizontal with Trim

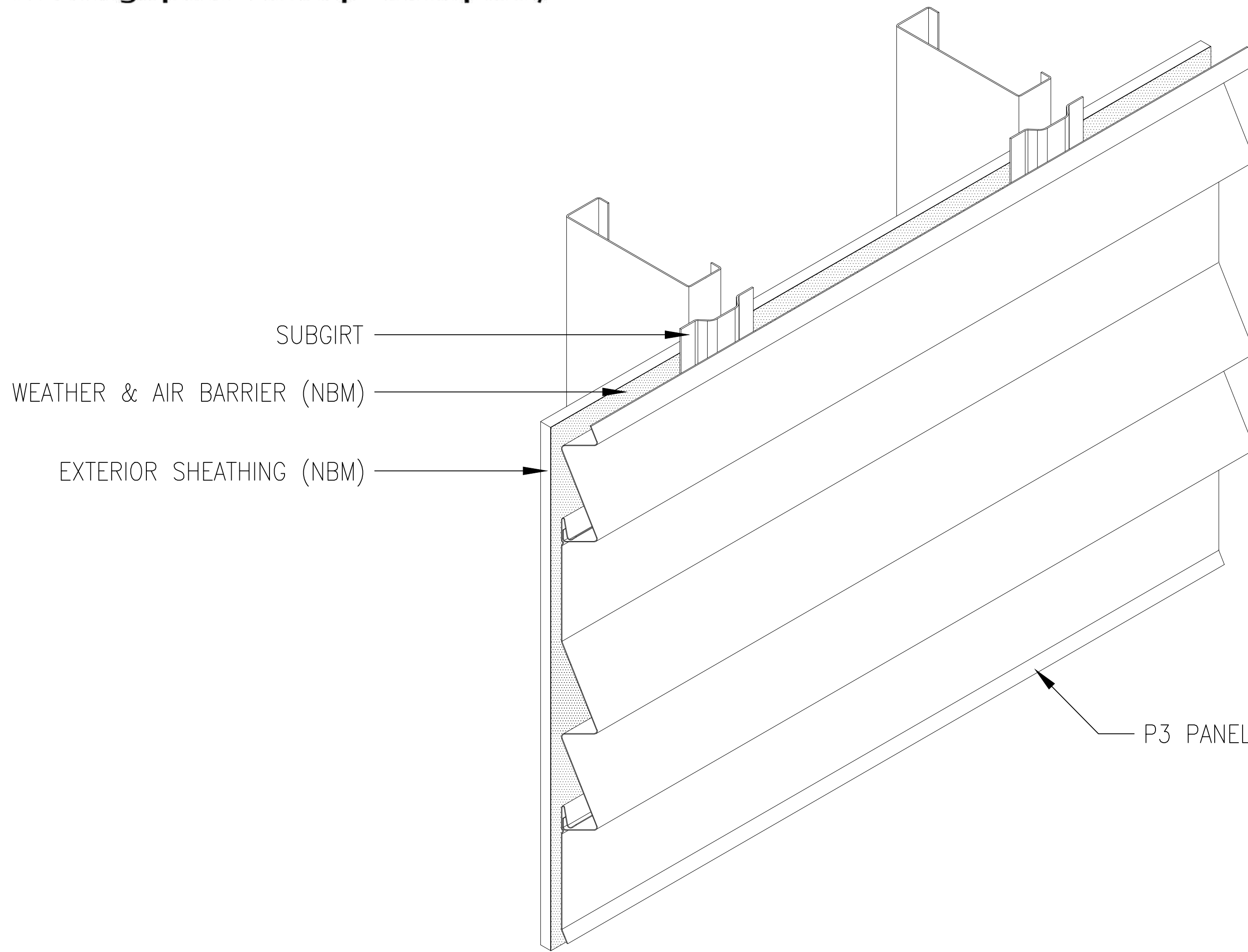


CLIP ATTACHMENT

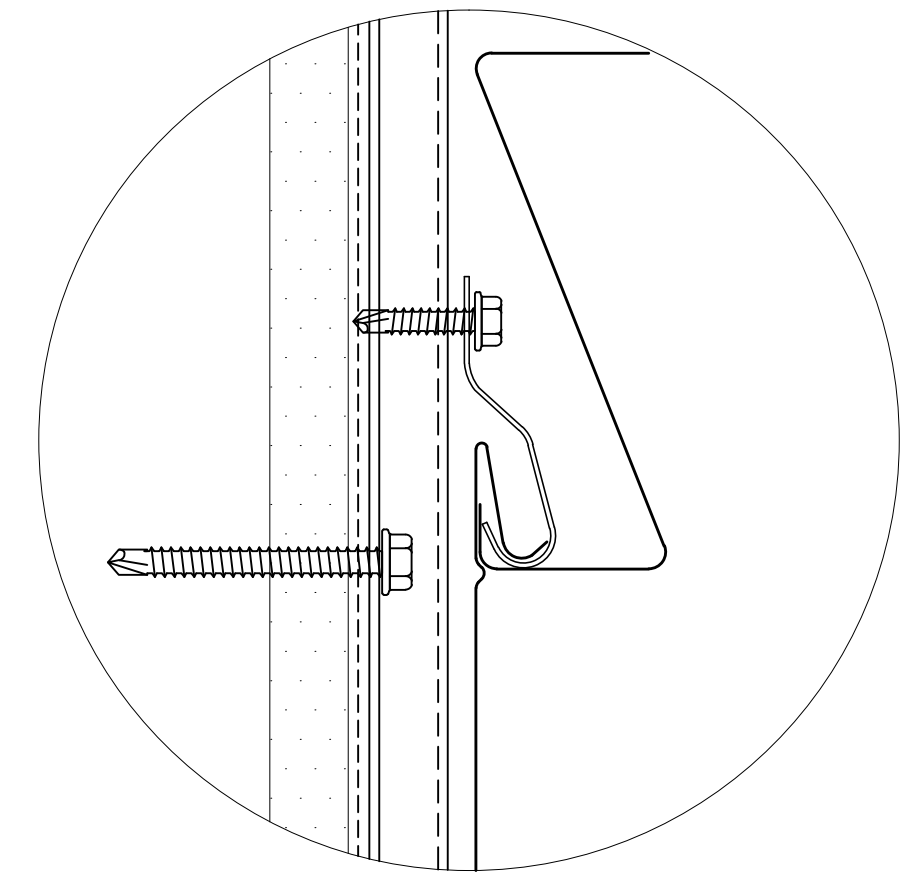
P2

NOTE: (NBM) = NOT BY MORIN
(*) PER FIELD CONDITIONS

Pulse Wall Series Horizontal with Trim



INSTALL PANELS BOTTOM TO TOP

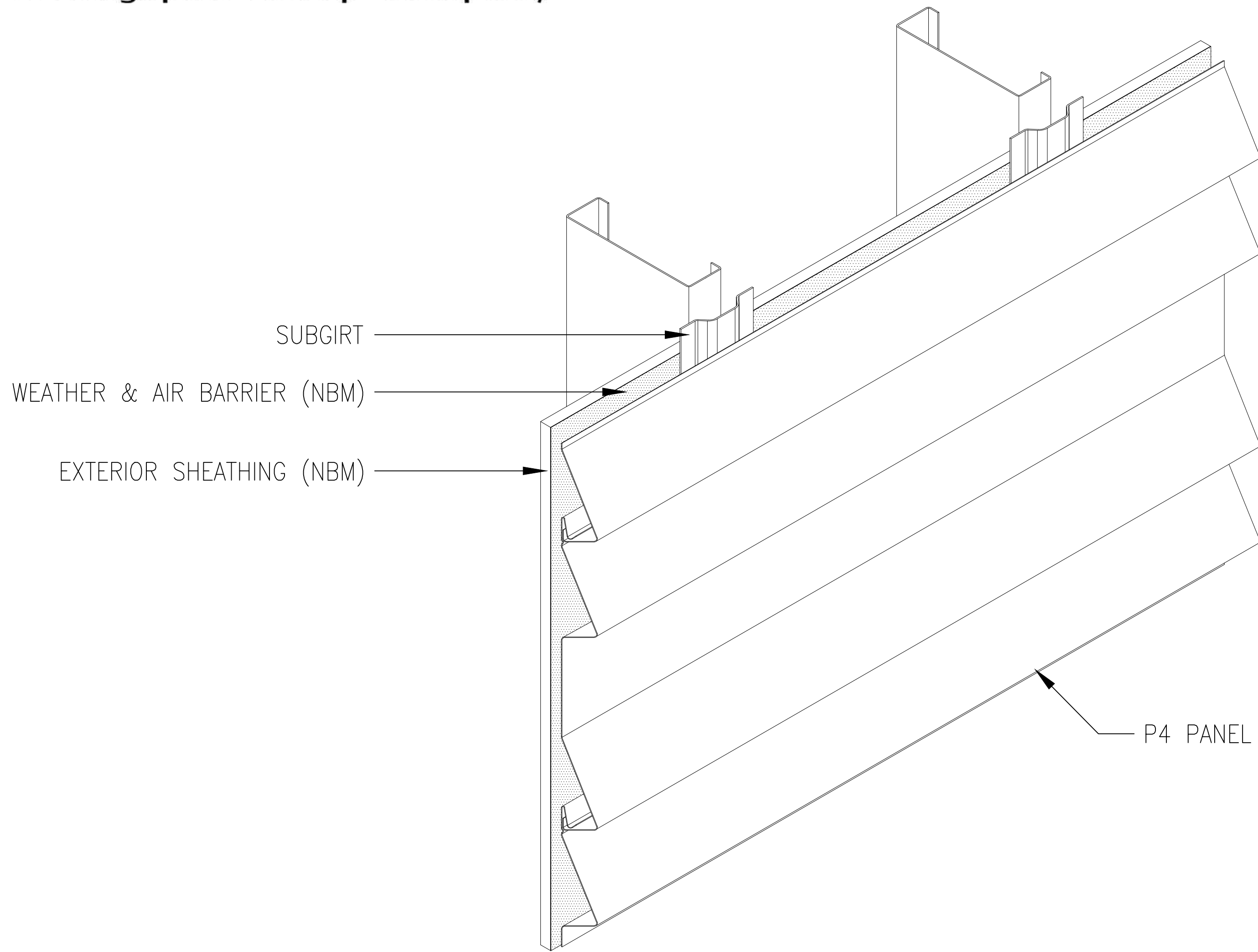


CLIP ATTACHMENT

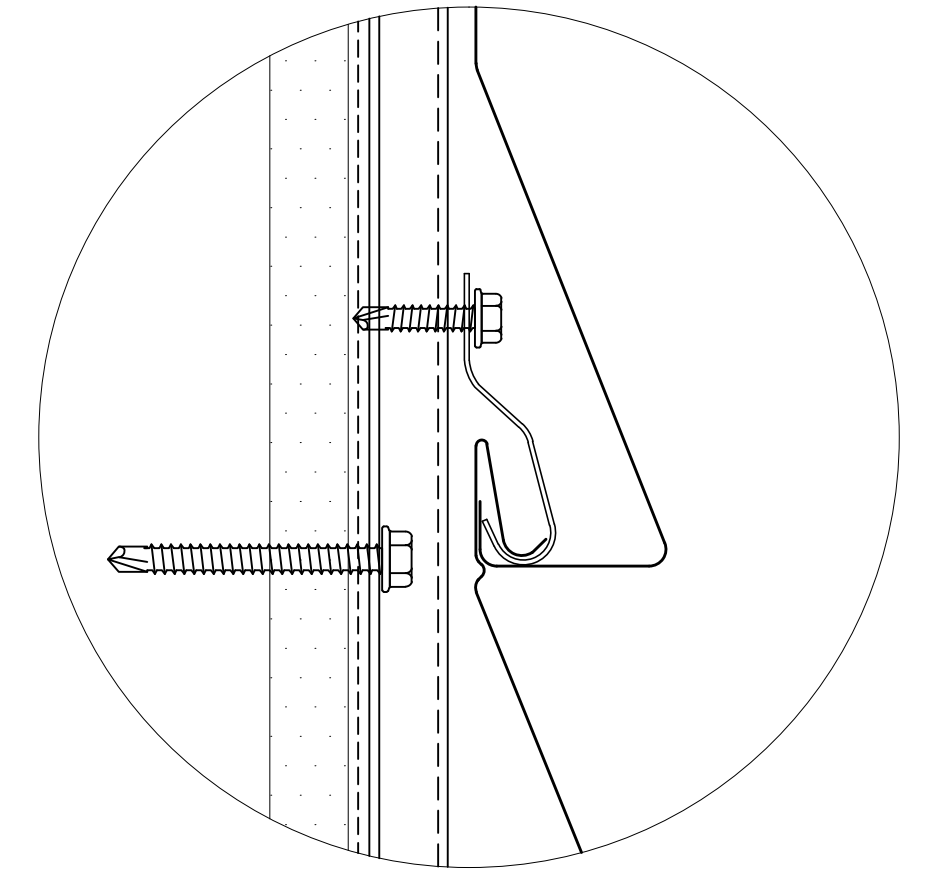
P3

NOTE: (NBM) = NOT BY MORIN
(*) PER FIELD CONDITIONS

Pulse Wall Series Horizontal with Trim



INSTALL PANELS BOTTOM TO TOP

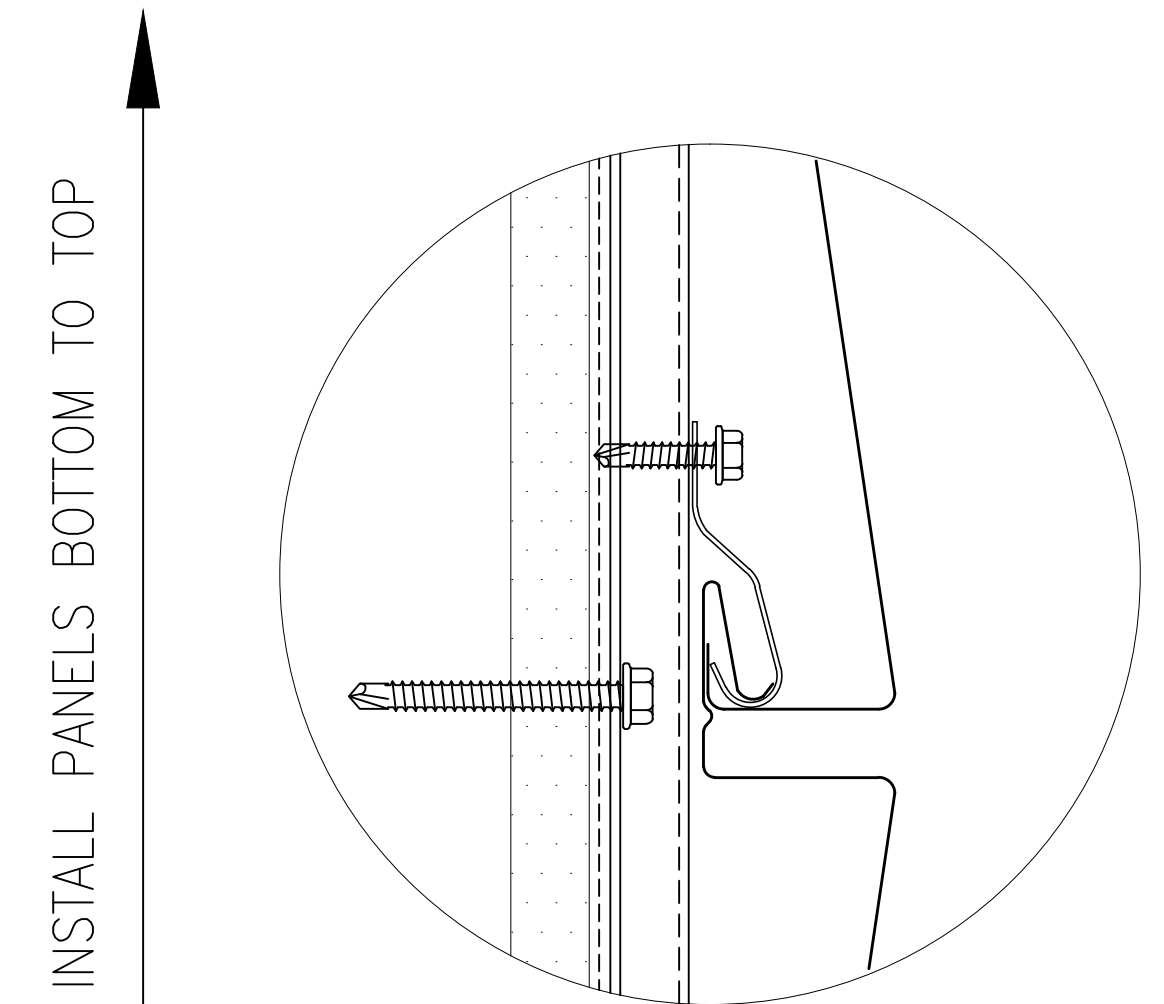
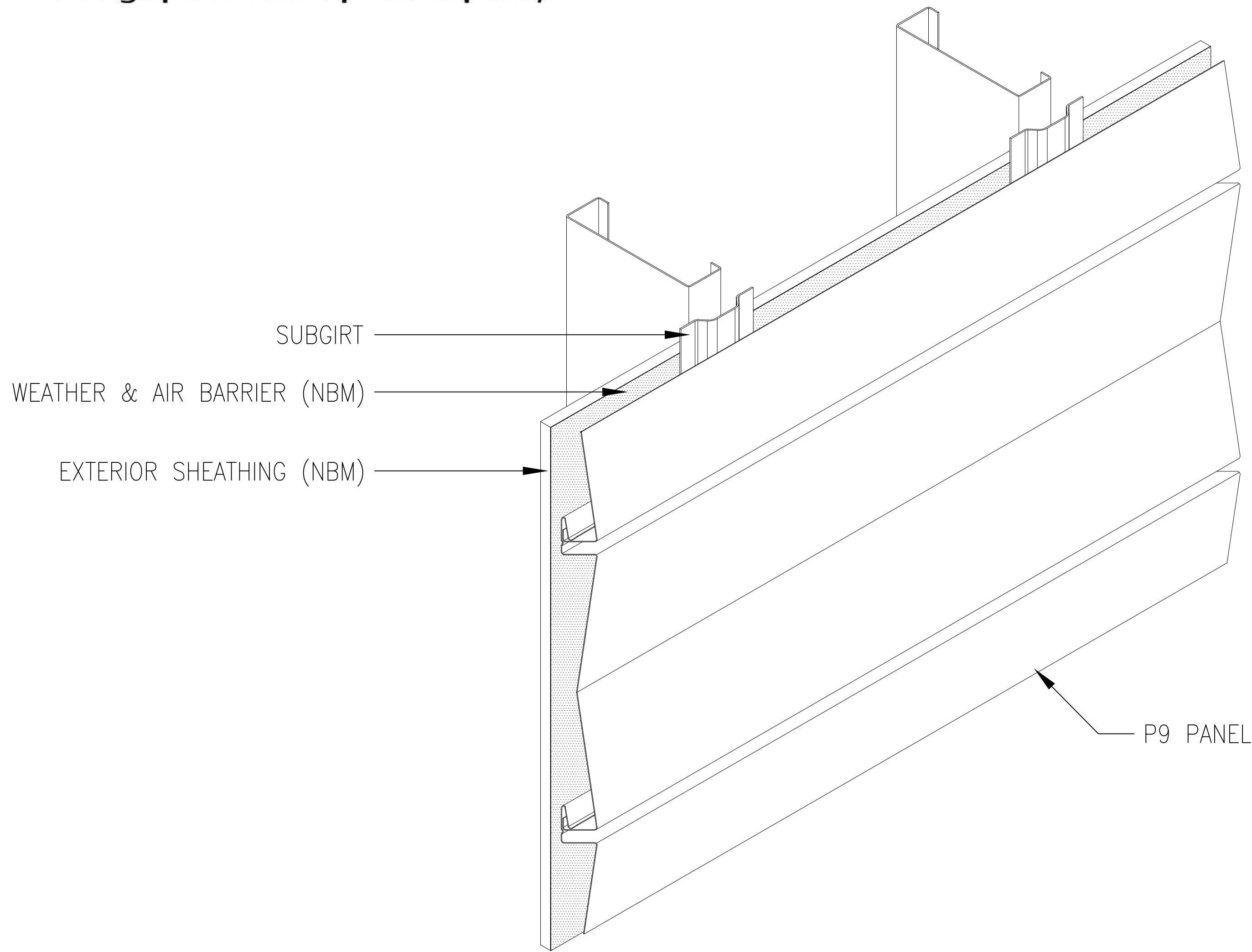


CLIP ATTACHMENT

P4

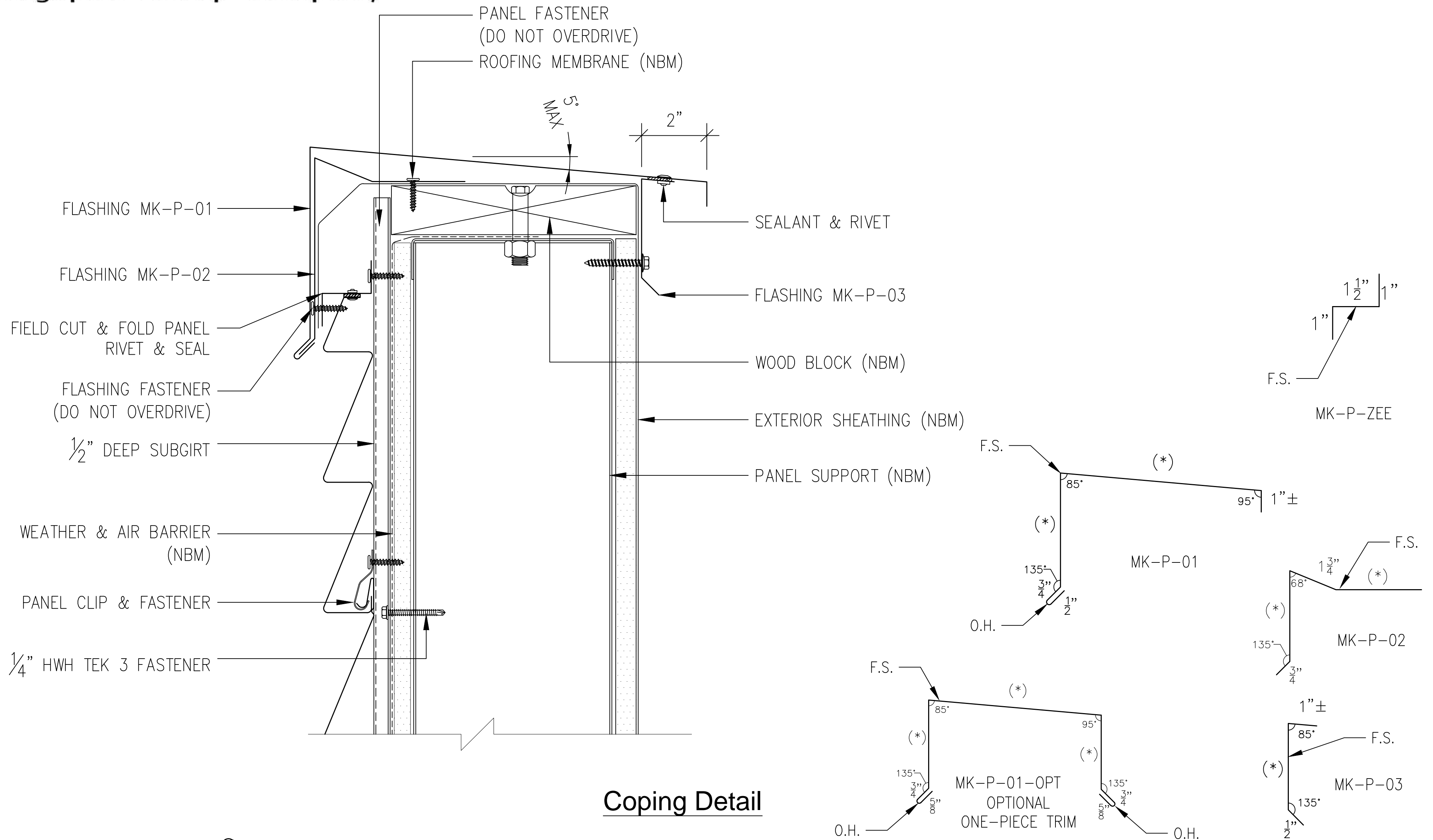
NOTE: (NBM) = NOT BY MORIN
(*) PER FIELD CONDITIONS

Pulse Wall Series Horizontal with Trim



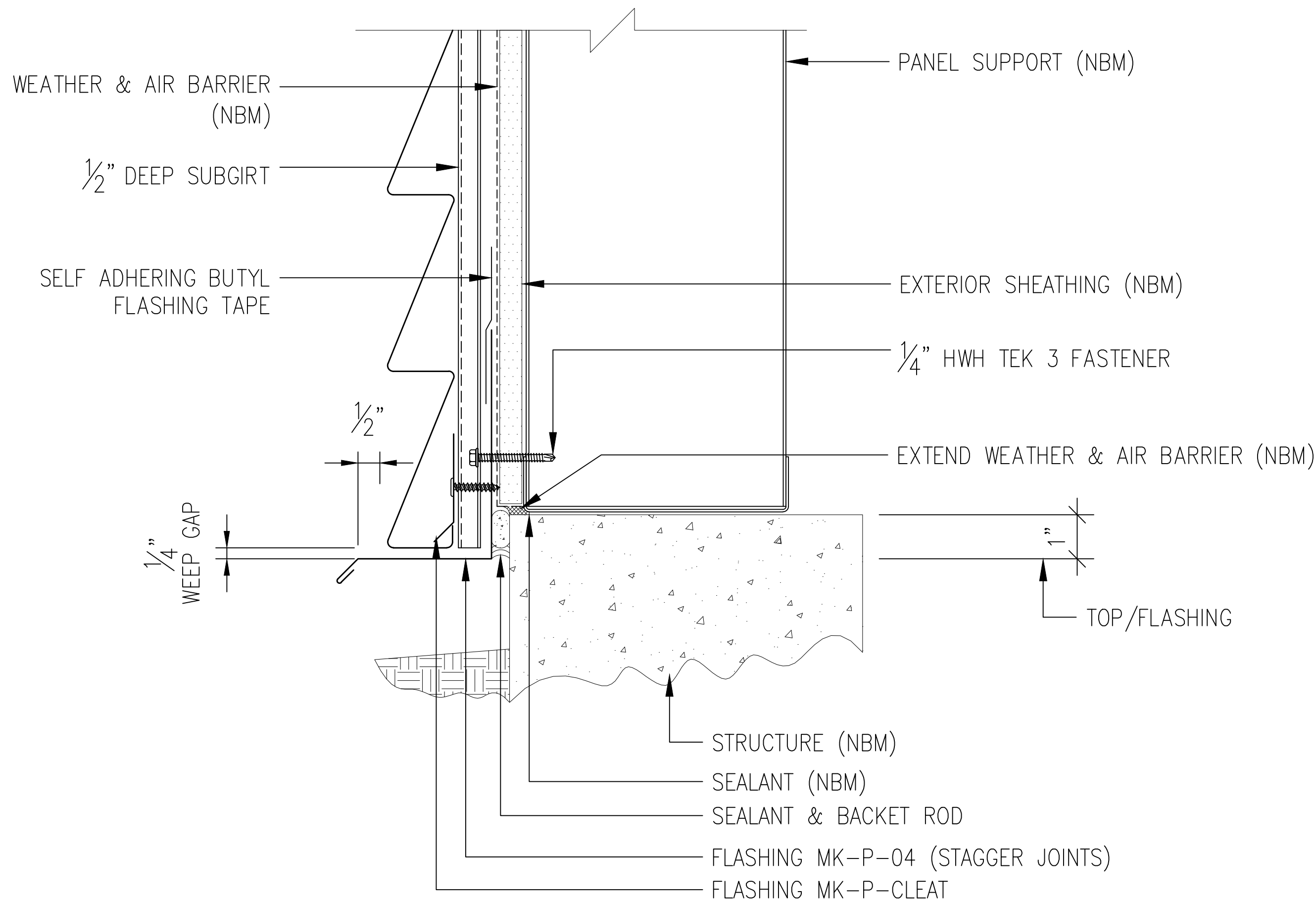
P9

NOTE: (NBM) = NOT BY MORIN
(*) PER FIELD CONDITIONS

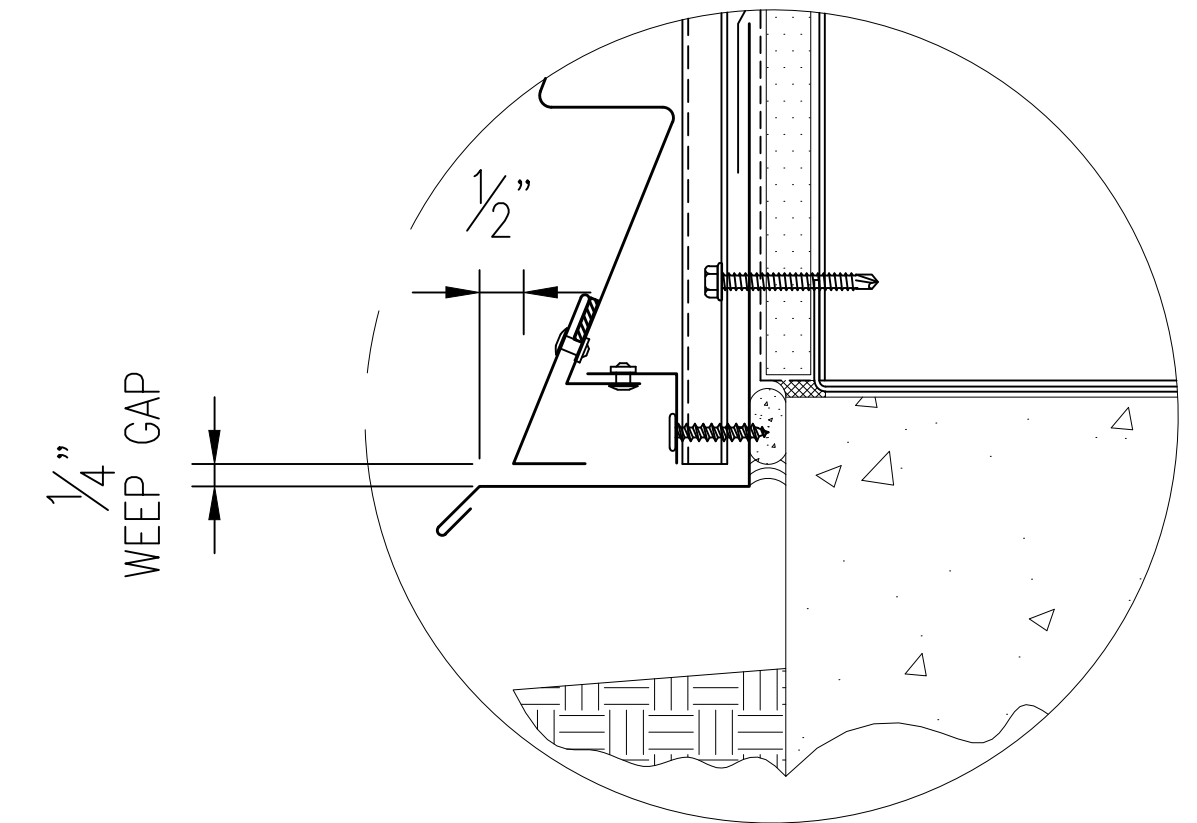


NOTE: (NBM) = NOT BY MORIN
 (*) PER FIELD CONDITIONS

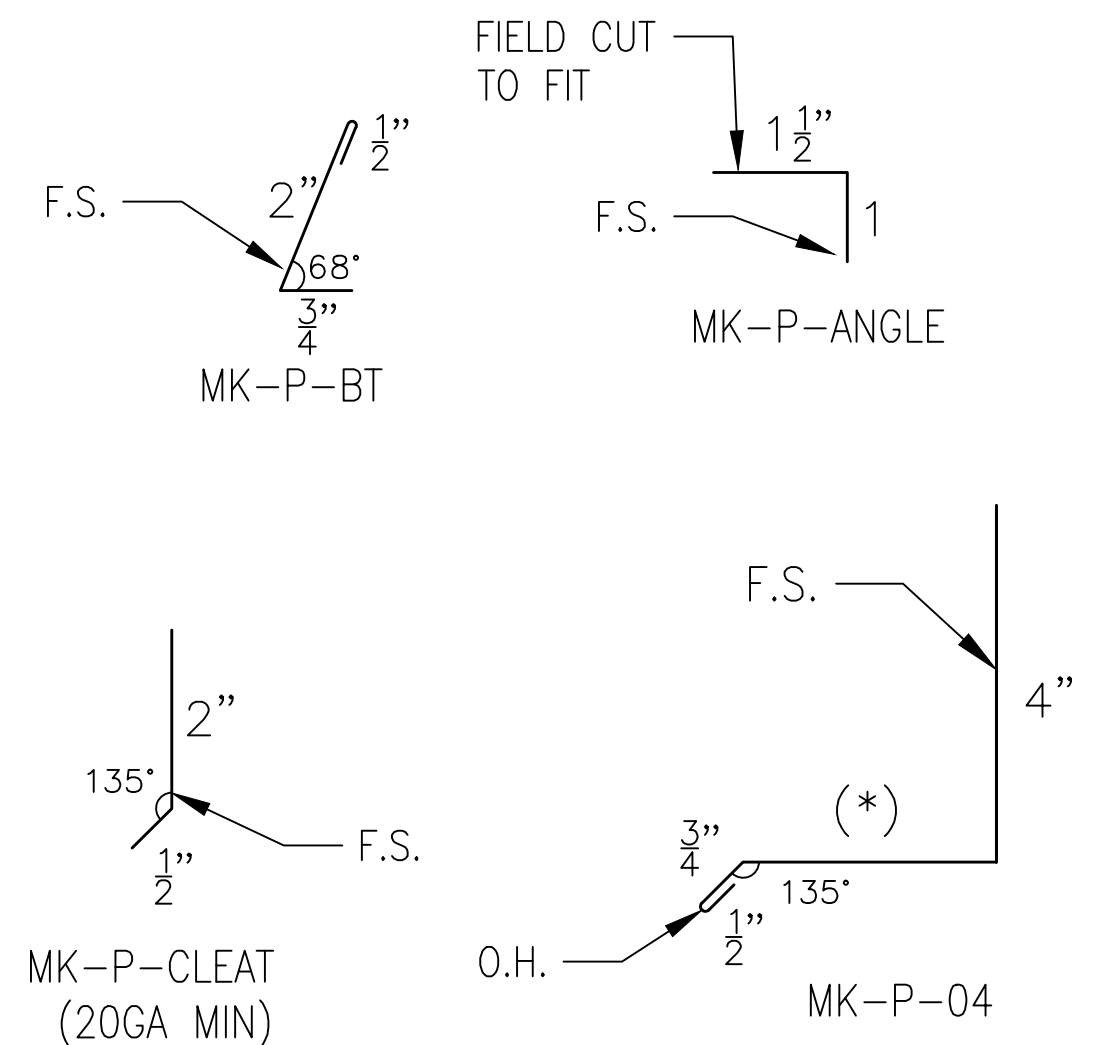
Pulse Wall Series Horizontal with Trim



Base at Curb or Edge of Slab

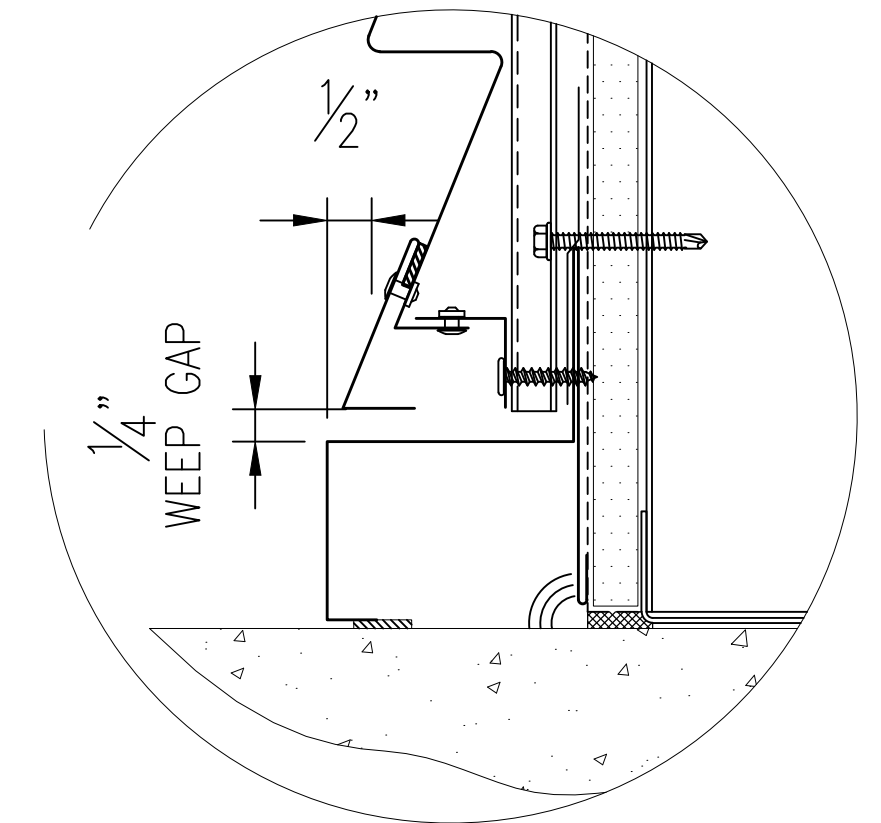
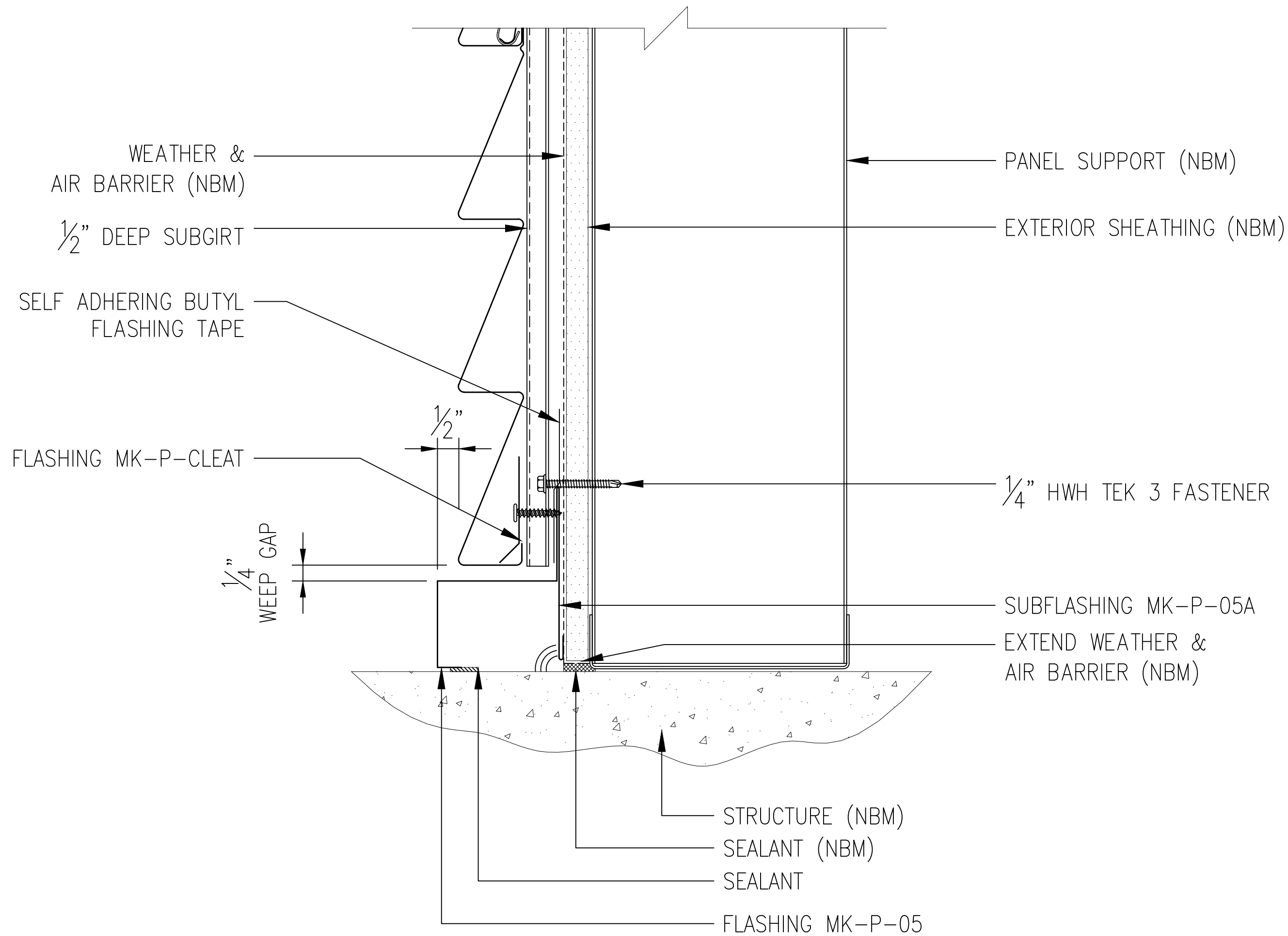


OPTIONAL DETAIL

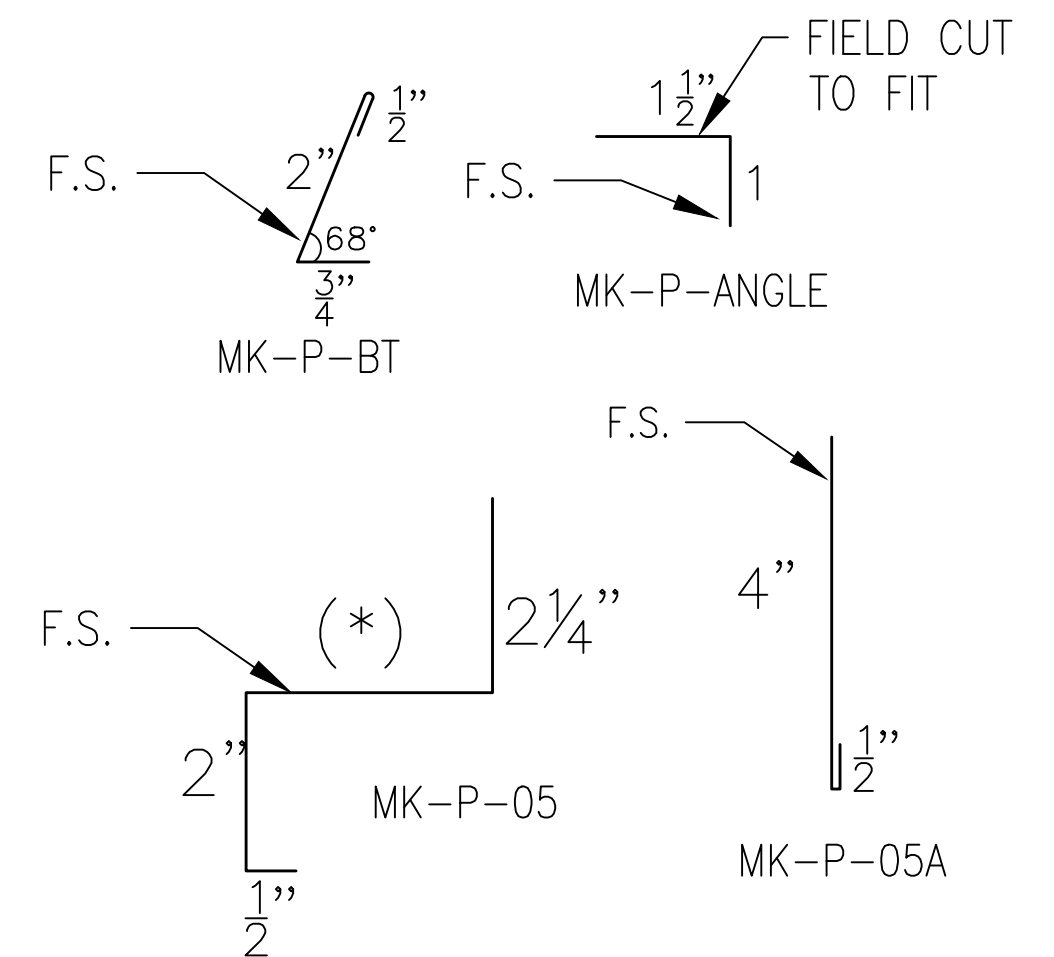


NOTE: (NBM) = NOT BY MORIN
(*) PER FIELD CONDITIONS

Pulse Wall Series Horizontal with Trim

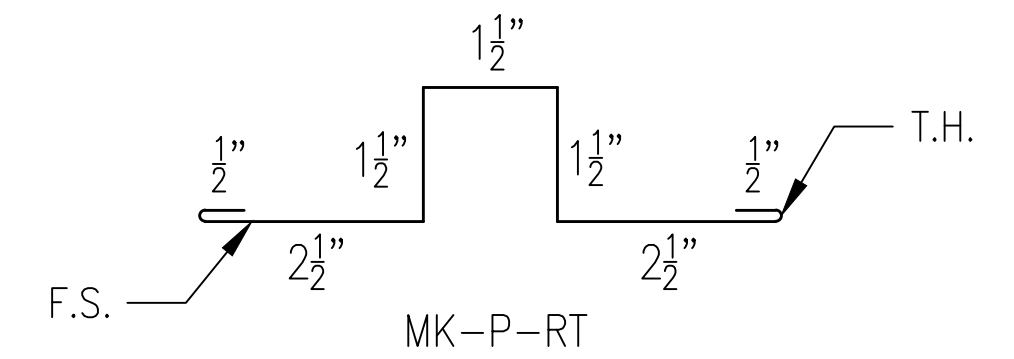
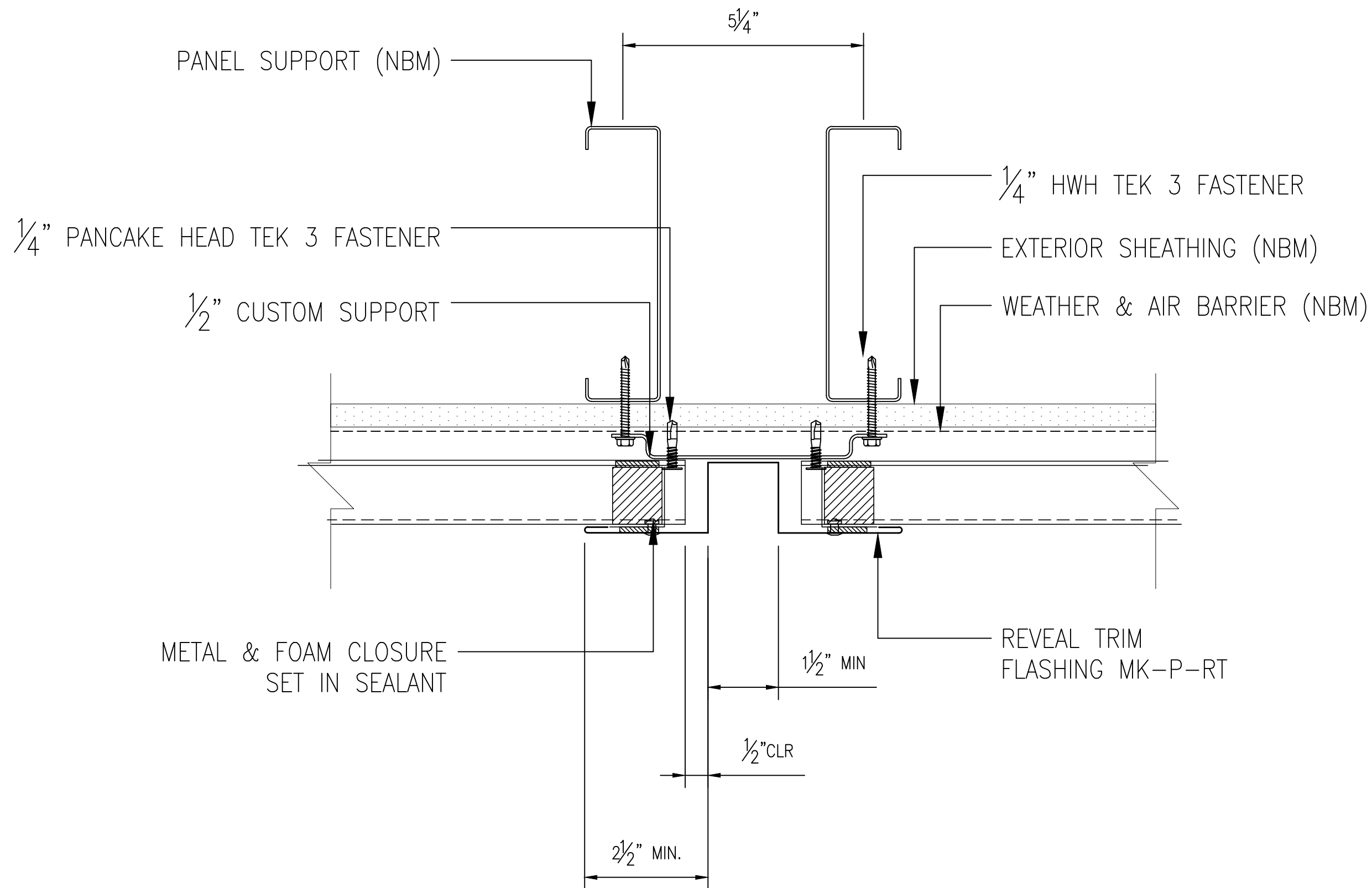


OPTIONAL DETAIL



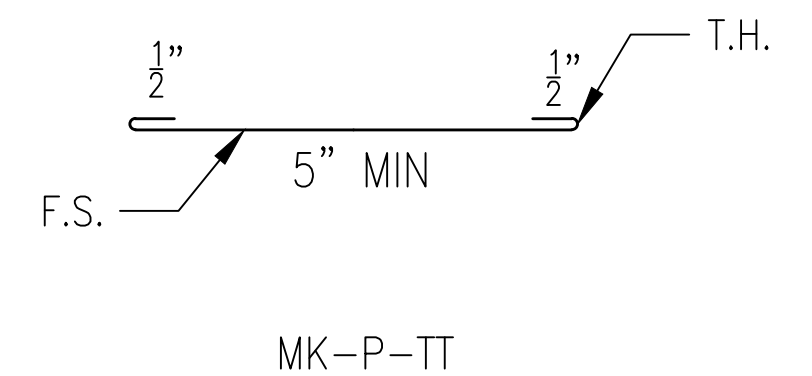
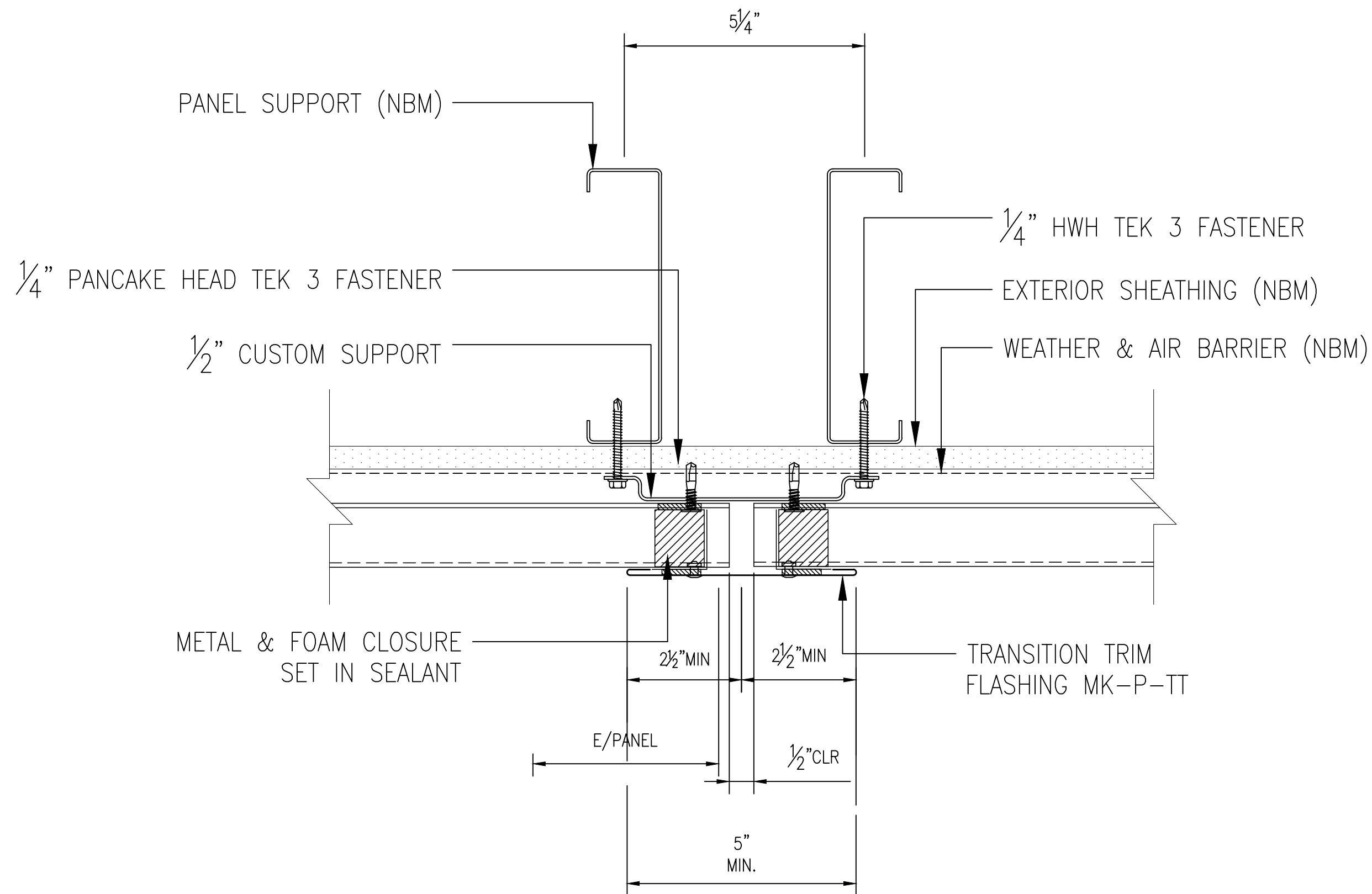
Base at Slab

NOTE: (NBM) = NOT BY MORIN
(*) PER FIELD CONDITIONS



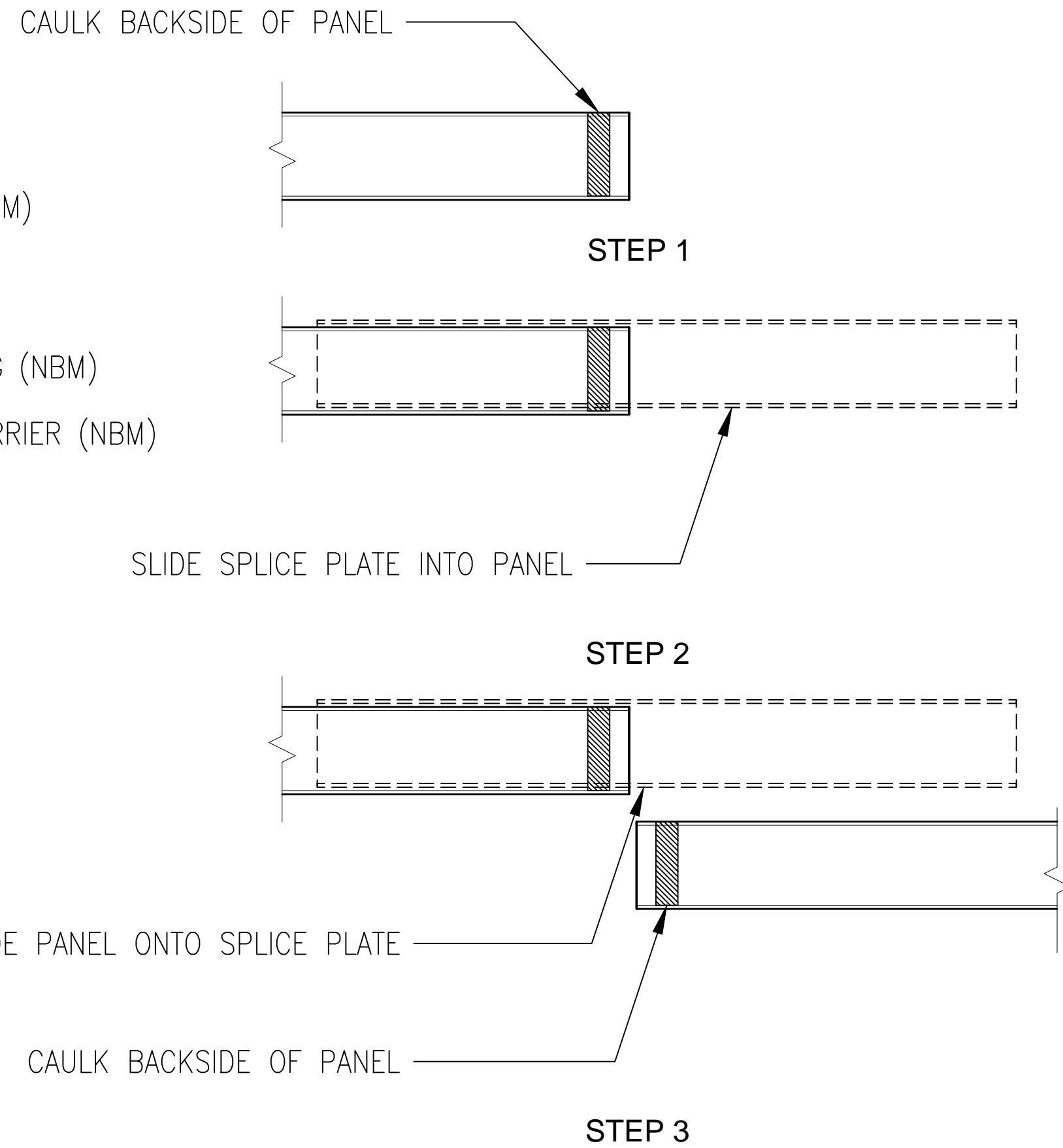
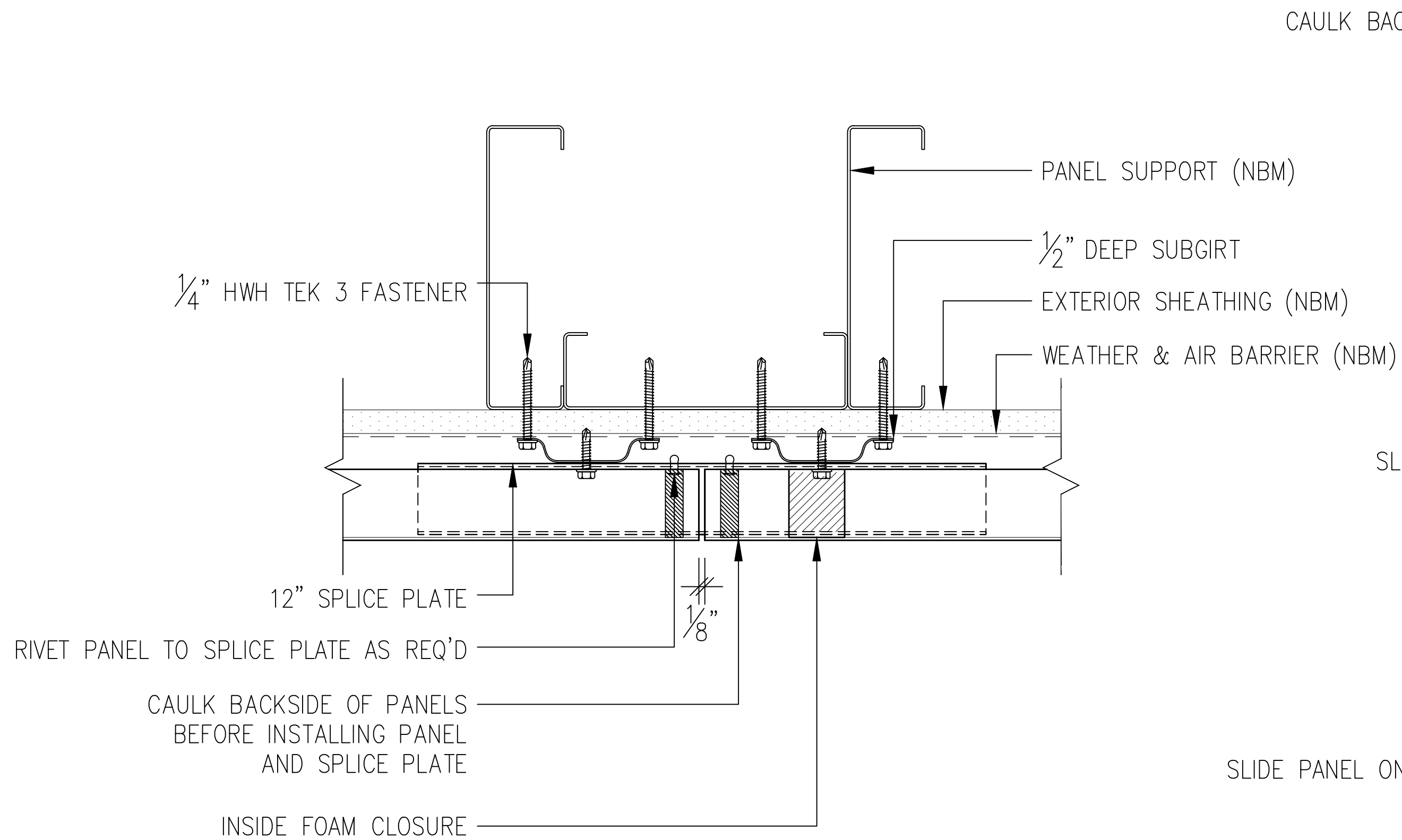
Reveal Trim Detail

NOTE: (NBM) = NOT BY MORIN
 (*) PER FIELD CONDITIONS



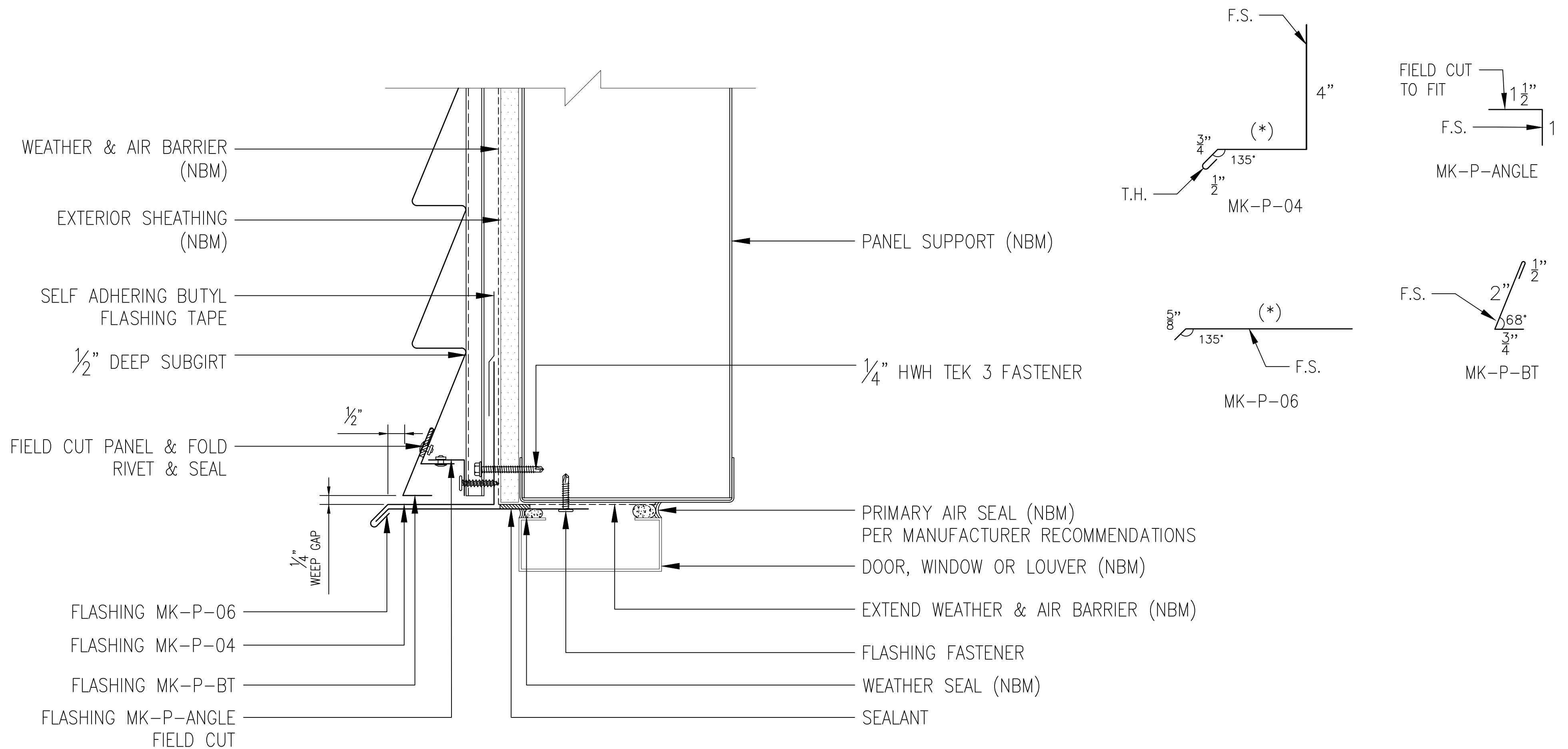
Transition Trim Detail

NOTE: (NBM) = NOT BY MORIN
(*) PER FIELD CONDITIONS



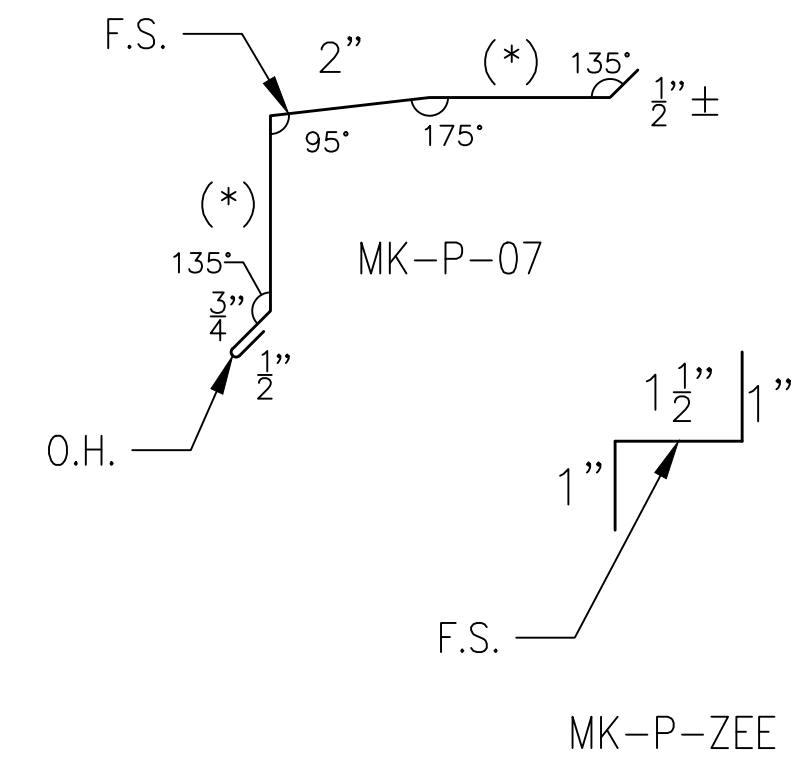
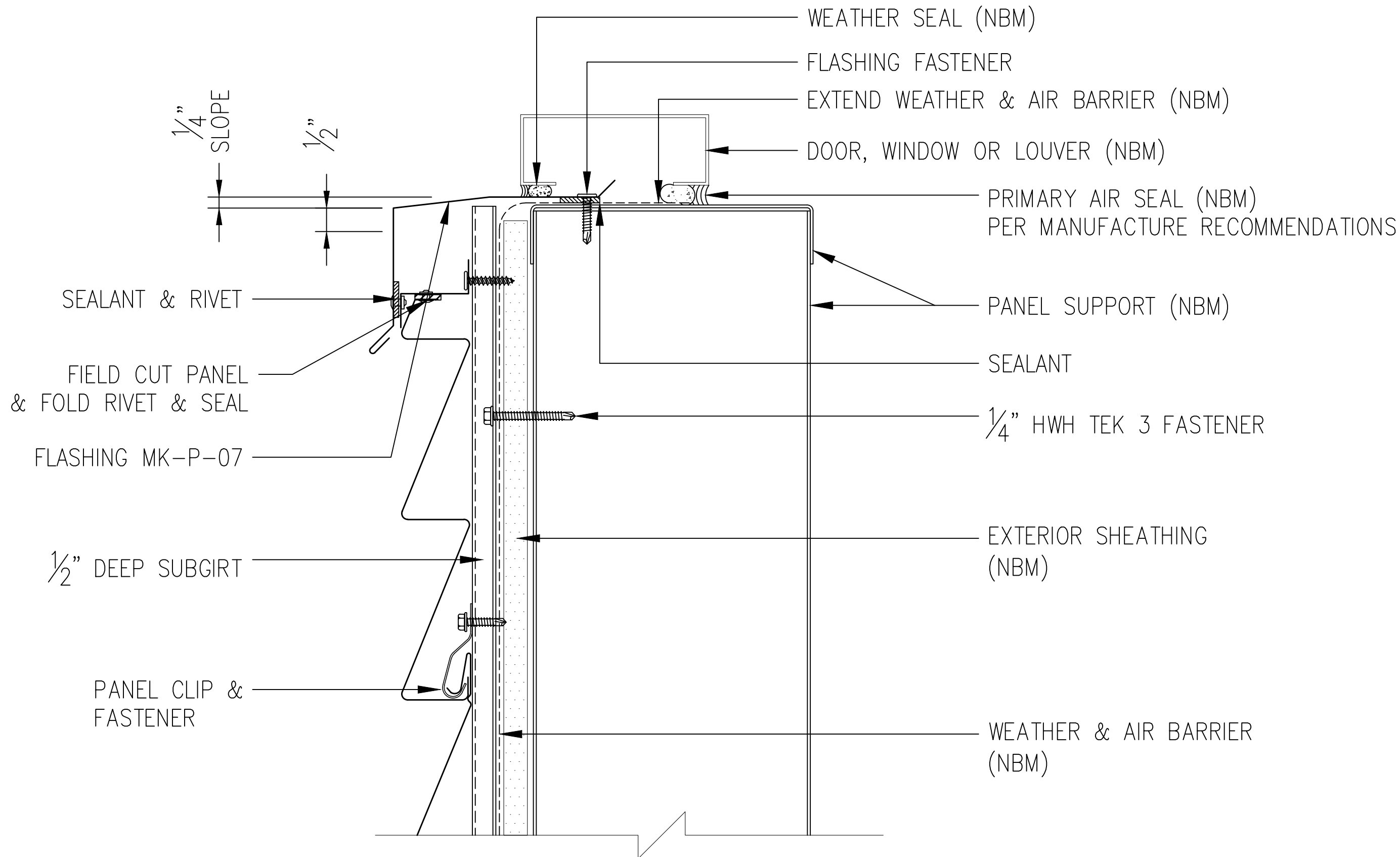
End Lap Detail

NOTE: (NBM) = NOT BY MORIN
 (*) PER FIELD CONDITIONS



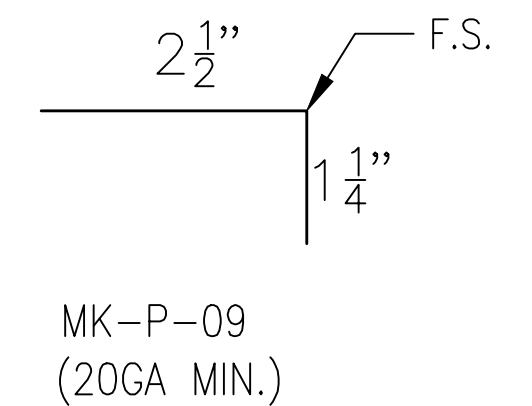
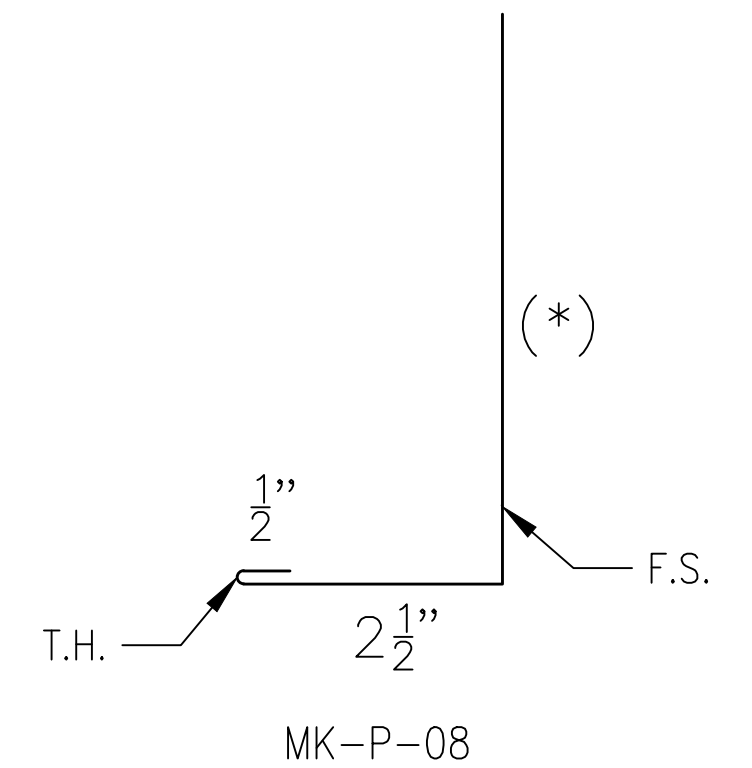
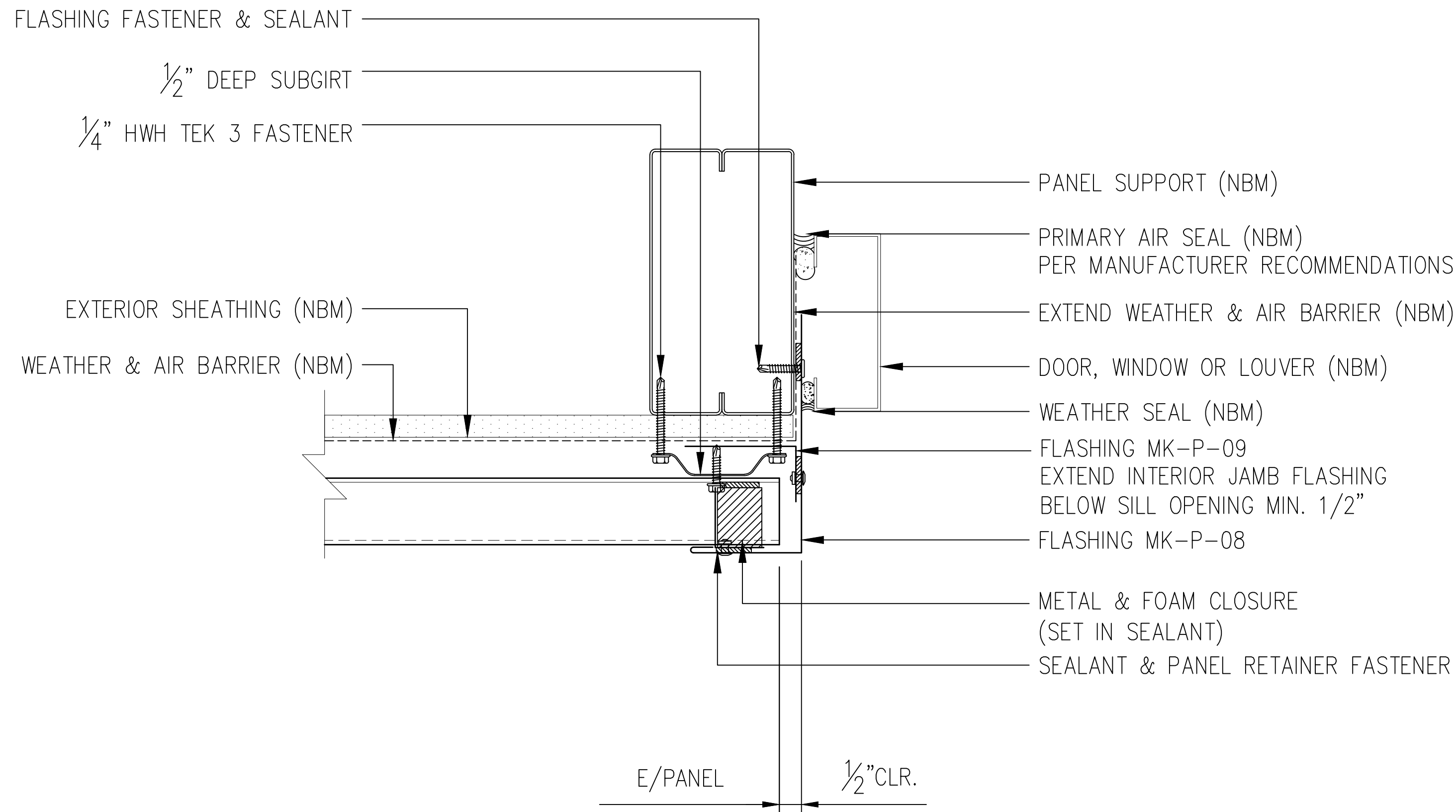
Door/Window/Louver Head Detail

NOTE: (NBM) = NOT BY MORIN
(*) PER FIELD CONDITIONS



Door/Window/Louver Sill Detail

NOTE: (NBM) = NOT BY MORIN
 (*) PER FIELD CONDITIONS

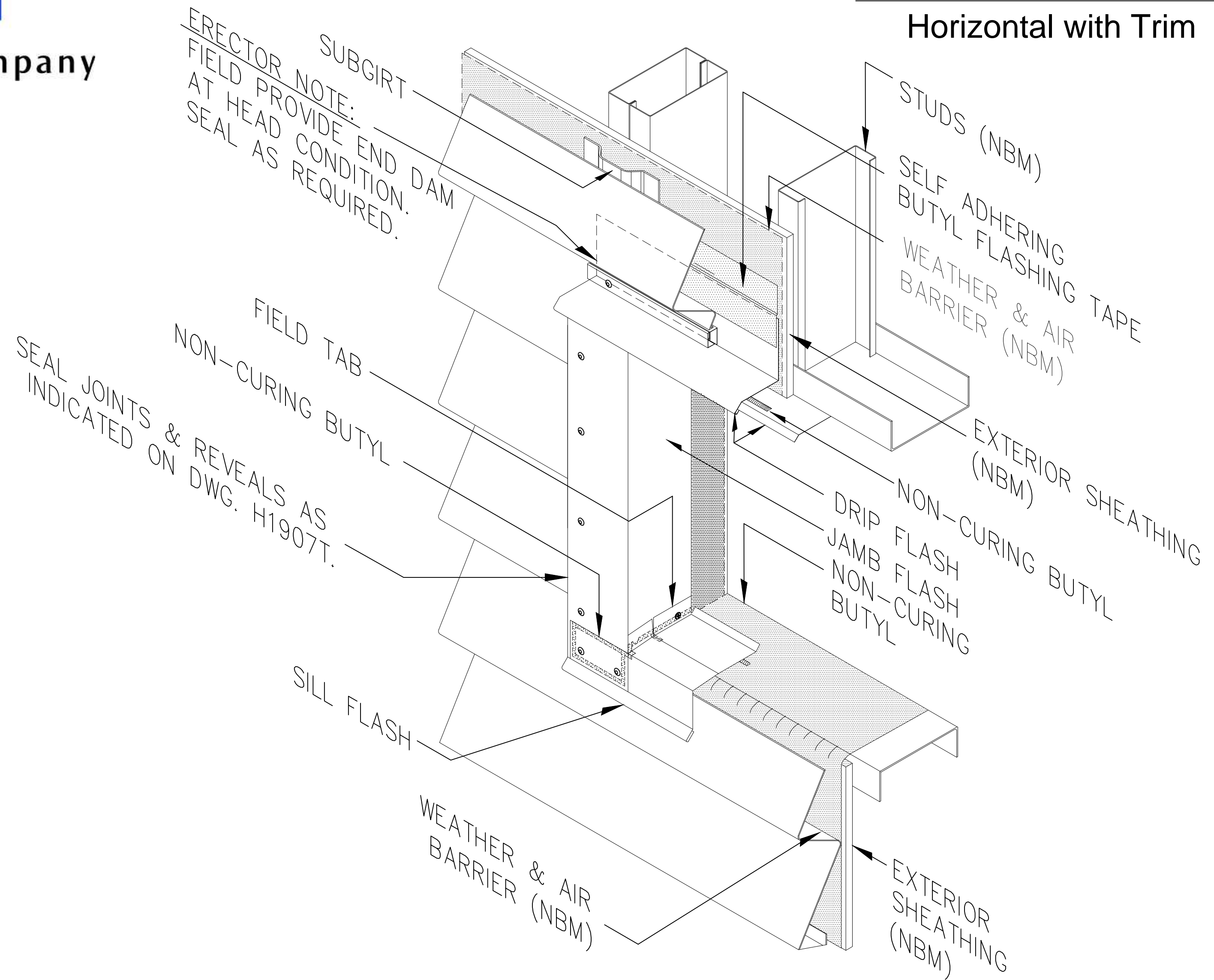


Door/Window/Louver Jamb Detail

NOTE: (NBM) = NOT BY MORIN
(*) PER FIELD CONDITIONS

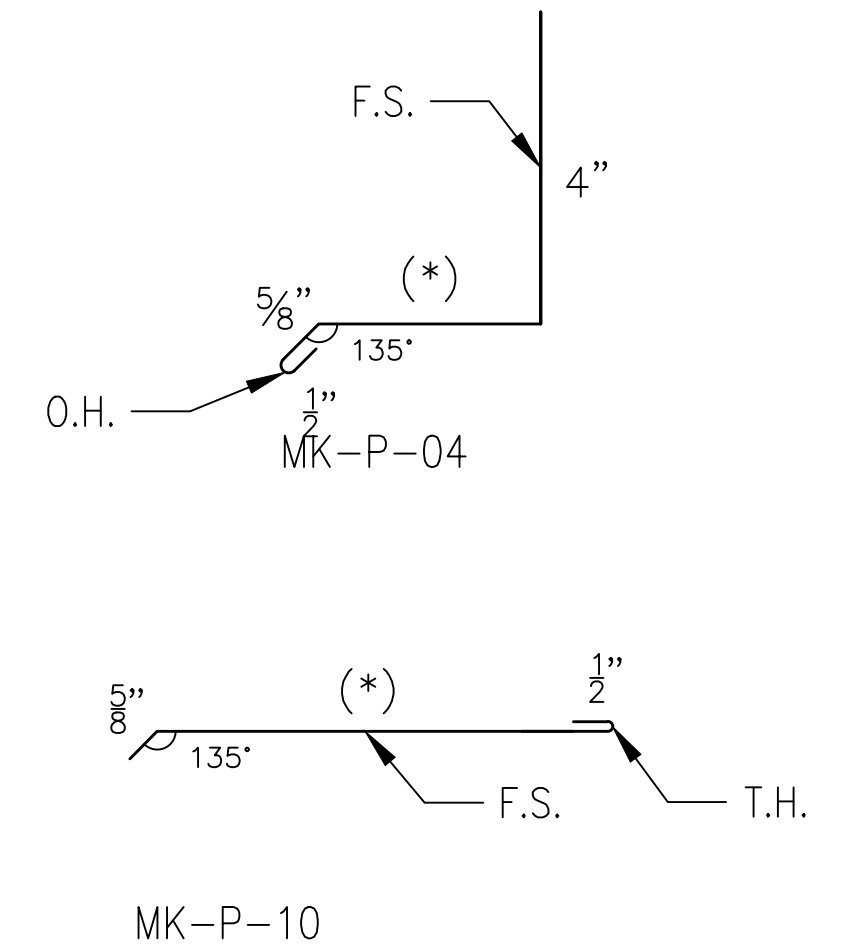
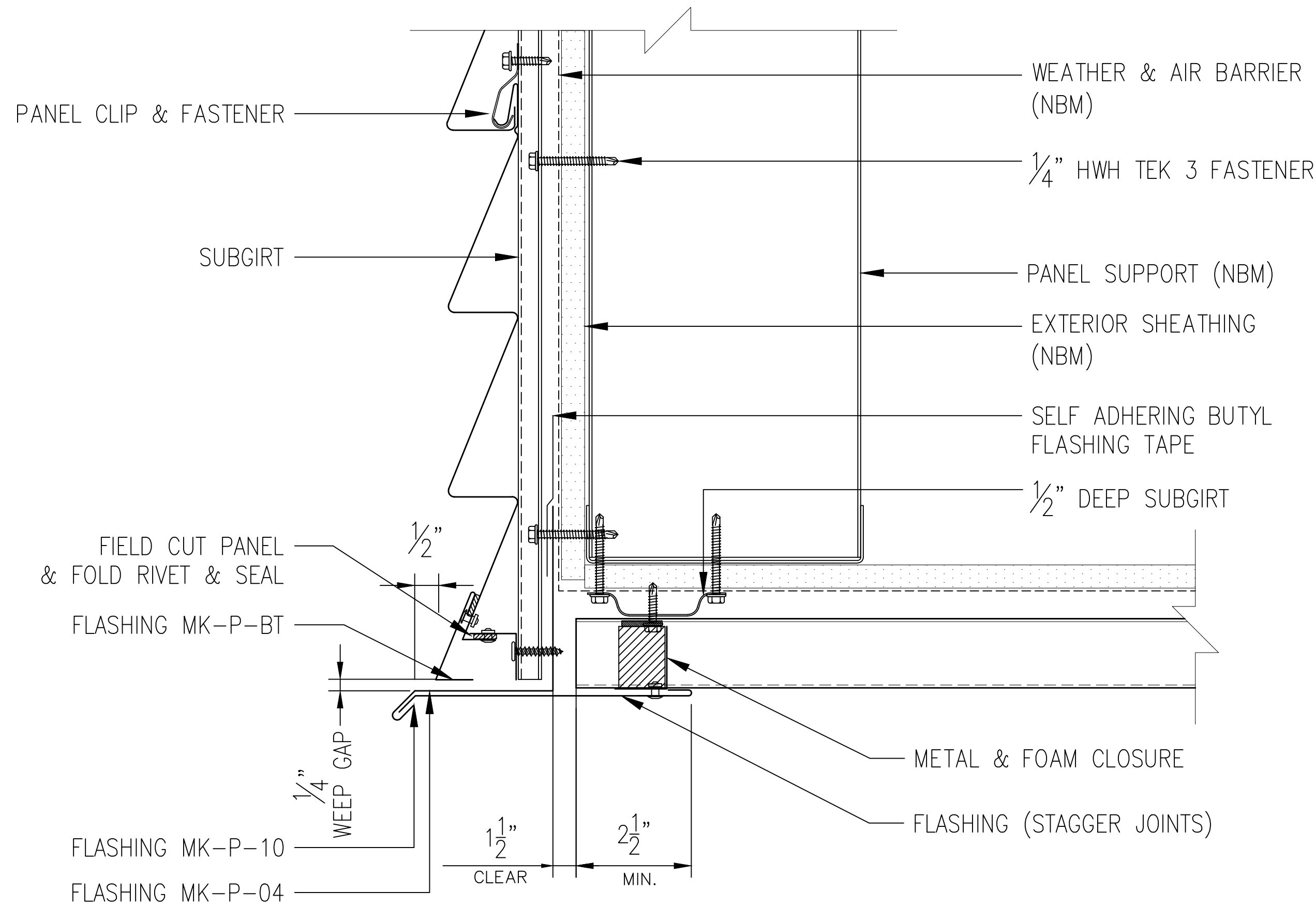
Pulse Wall Series

Horizontal with Trim



Intersection of Head, Jamb & Sill

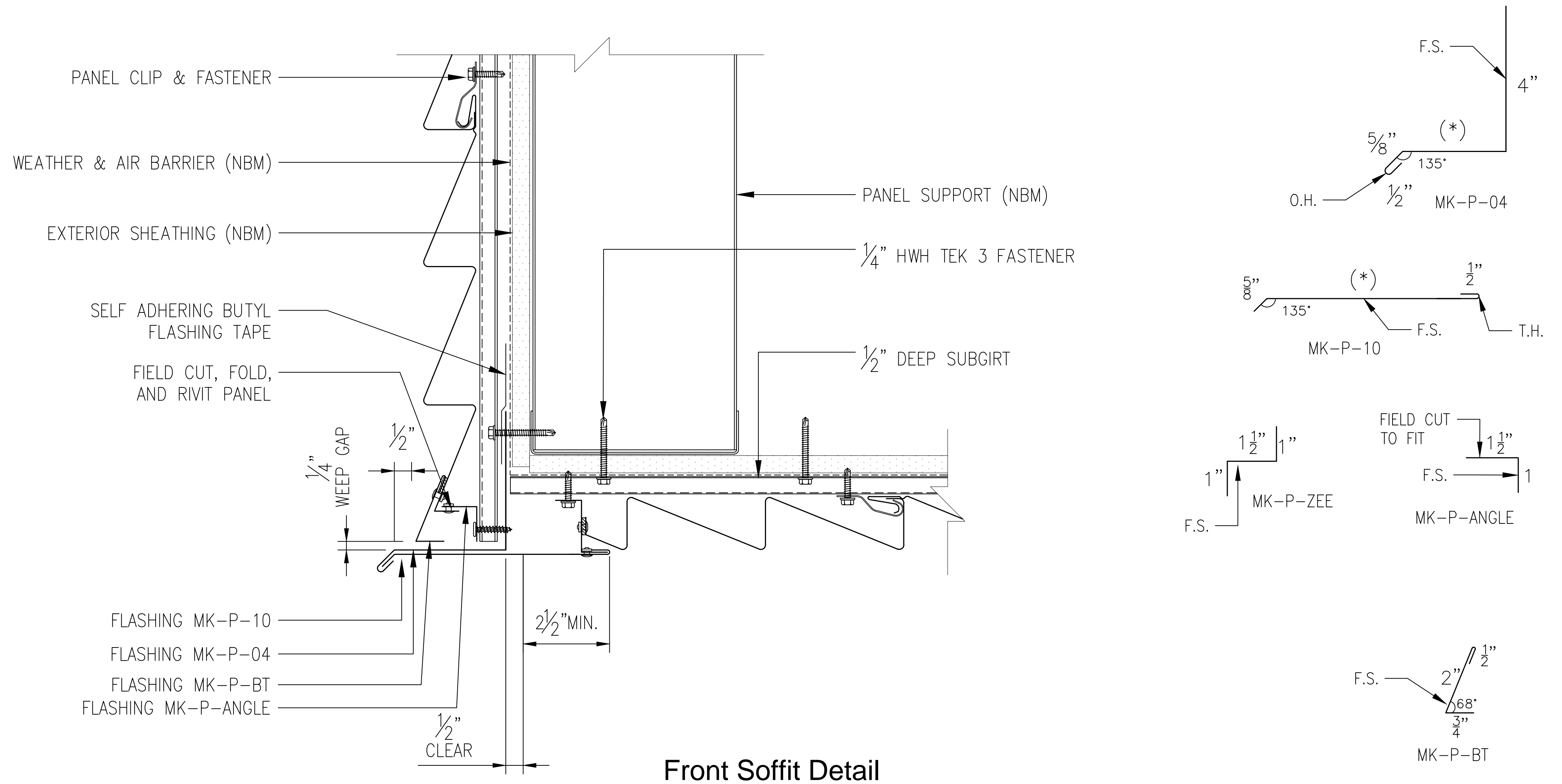
NOTE: (NBM) = NOT BY MORIN
(*) PER FIELD CONDITIONS



Front Soffit Detail

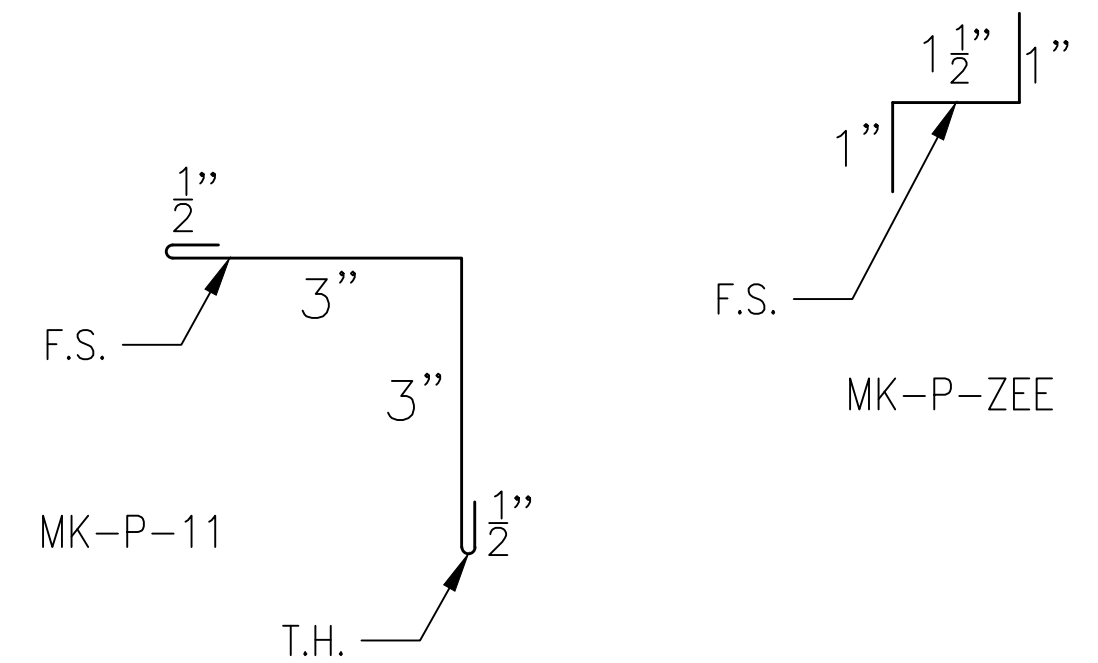
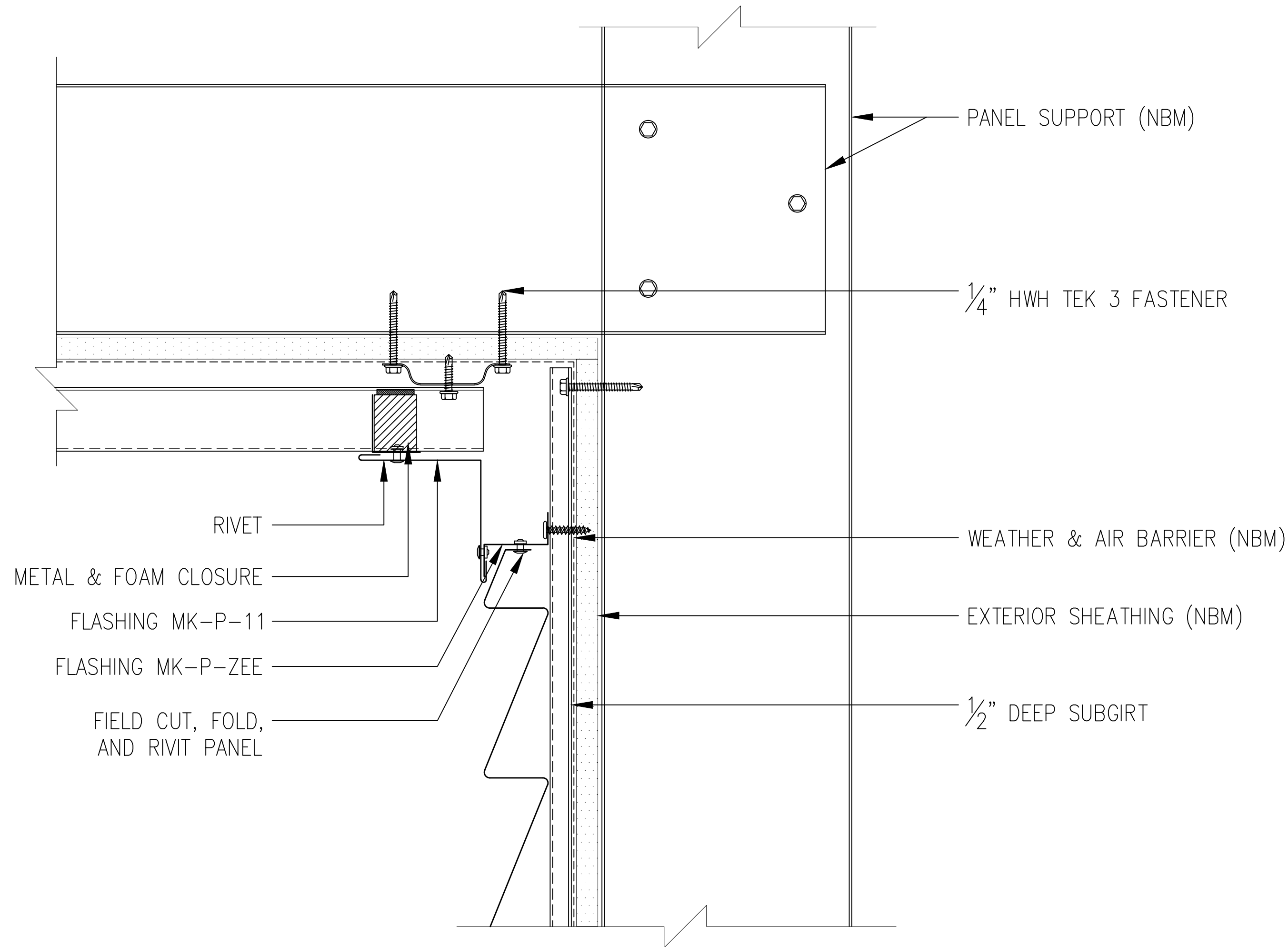
NOTE: (NBM) = NOT BY MORIN
(*) PER FIELD CONDITIONS

*SOFFIT PANELS PERPENDICULAR TO WALL PANELS



*SOFFIT PANELS PERPENDICULAR TO WALL PANELS

NOTE: (NBM) = NOT BY MORIN
(*) PER FIELD CONDITIONS

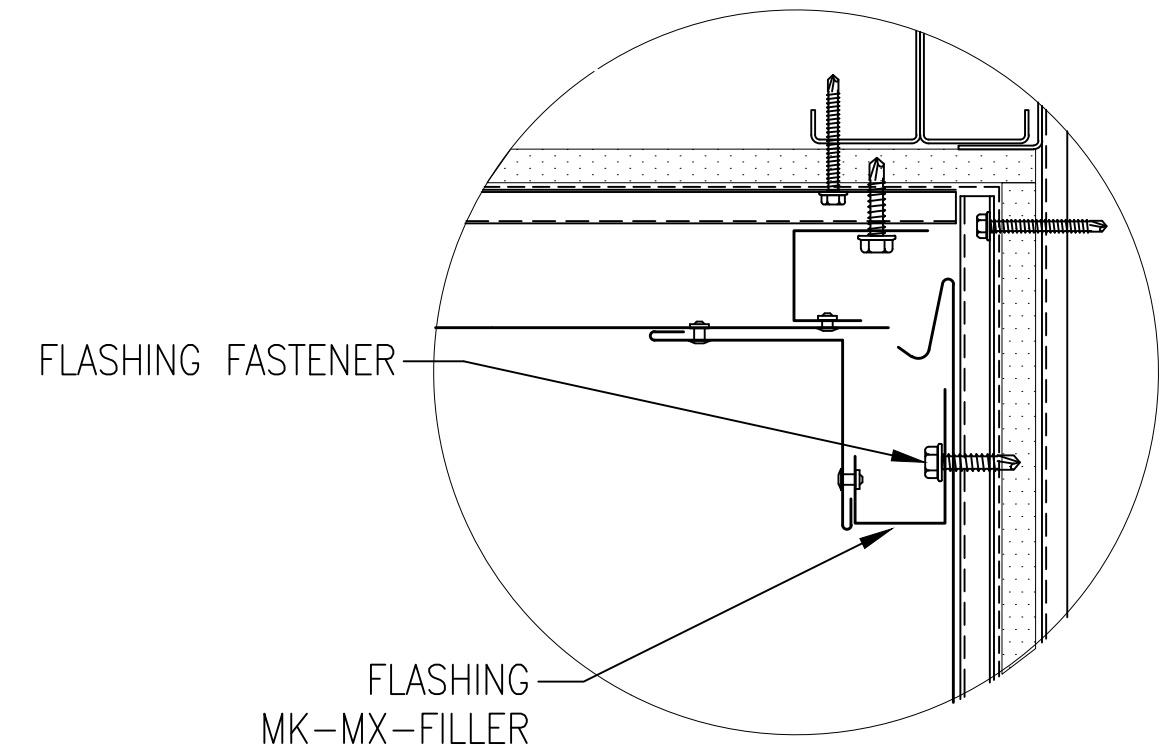
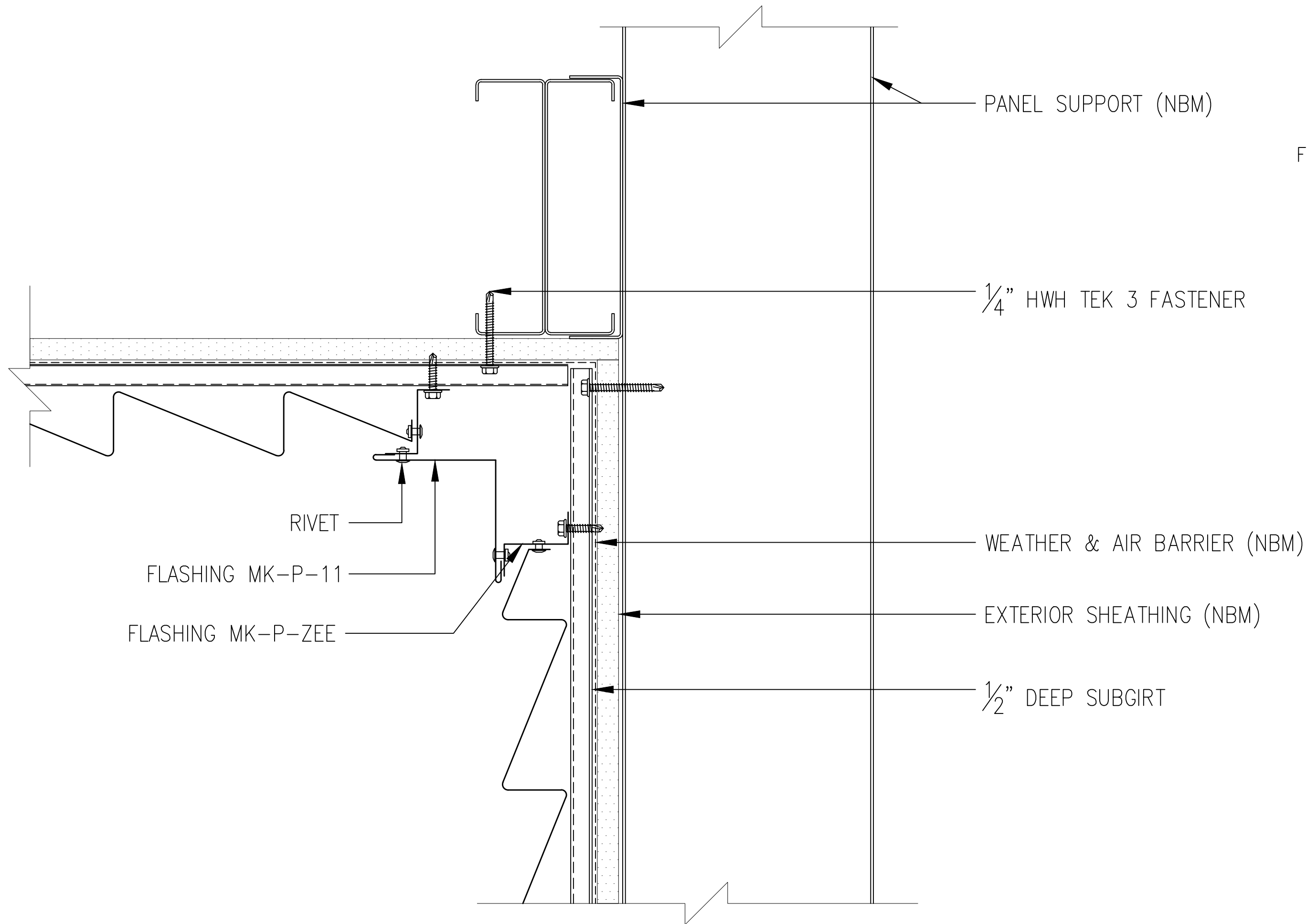


Back Soffit Detail

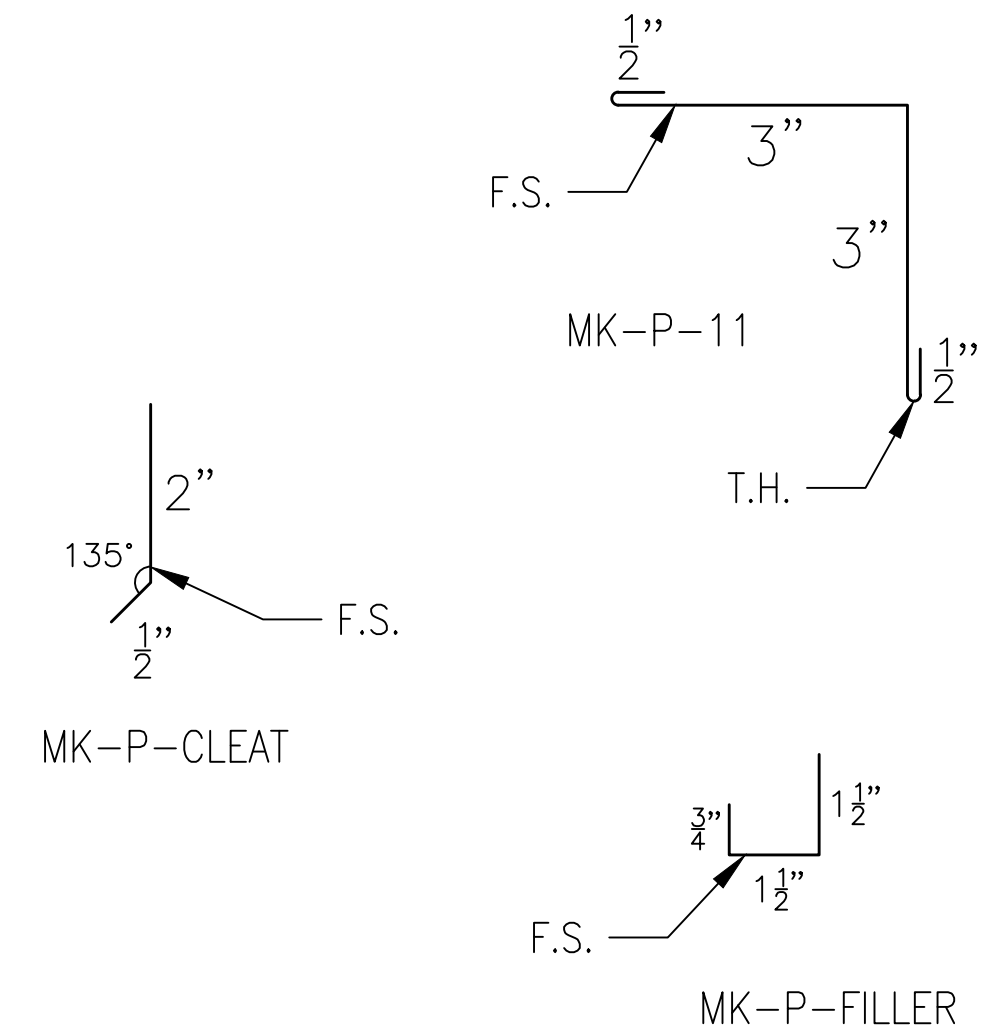
*SOFFIT PANELS PERPENDICULAR
TO WALL PANELS

NOTE: (NBM) = NOT BY MORIN
(*) PER FIELD CONDITIONS

Pulse Wall Series Horizontal with Trim



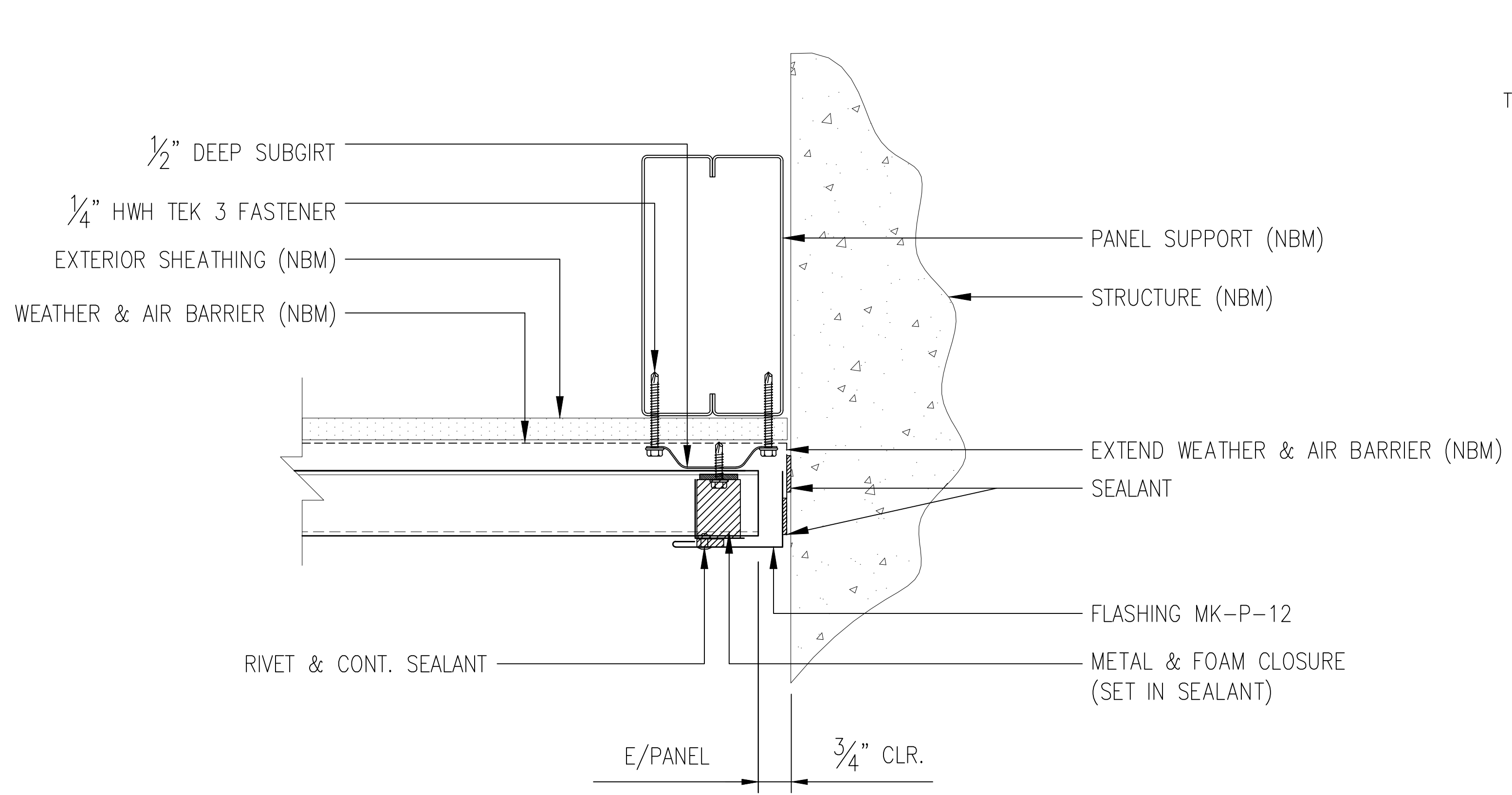
OPTIONAL DETAIL



Back Soffit Detail

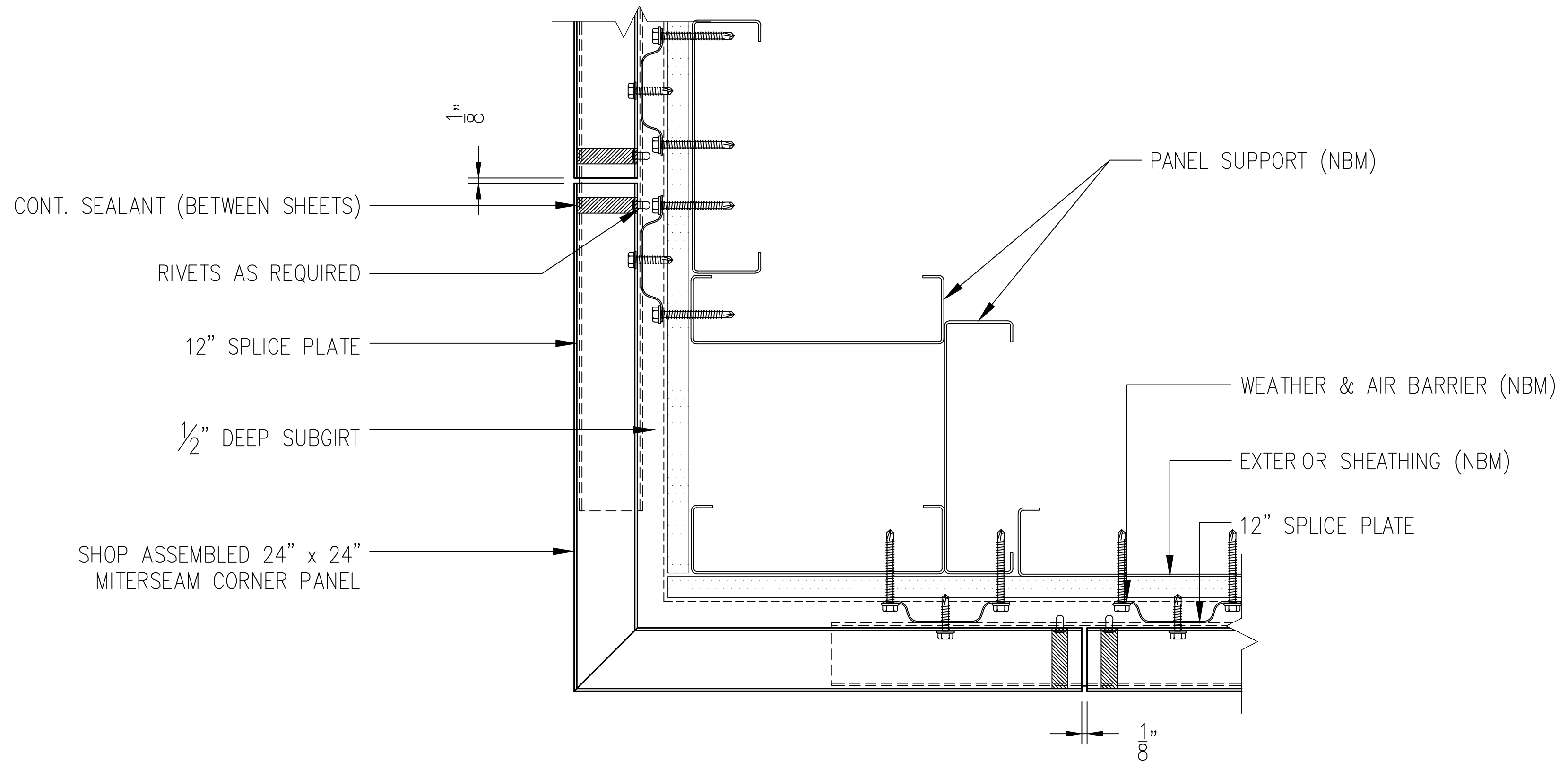
*SOFFIT PANELS PERPENDICULAR TO WALL PANELS

NOTE: (NBM) = NOT BY MORIN
(*) PER FIELD CONDITIONS



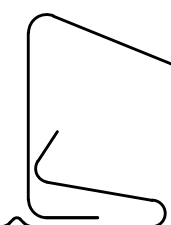
Back Soffit Detail

NOTE: (NBM) = NOT BY MORIN
(*) PER FIELD CONDITIONS

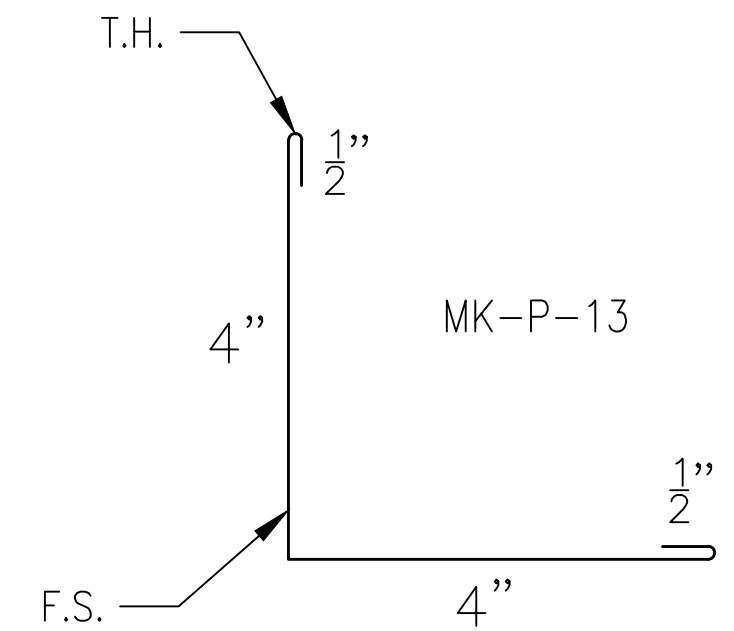
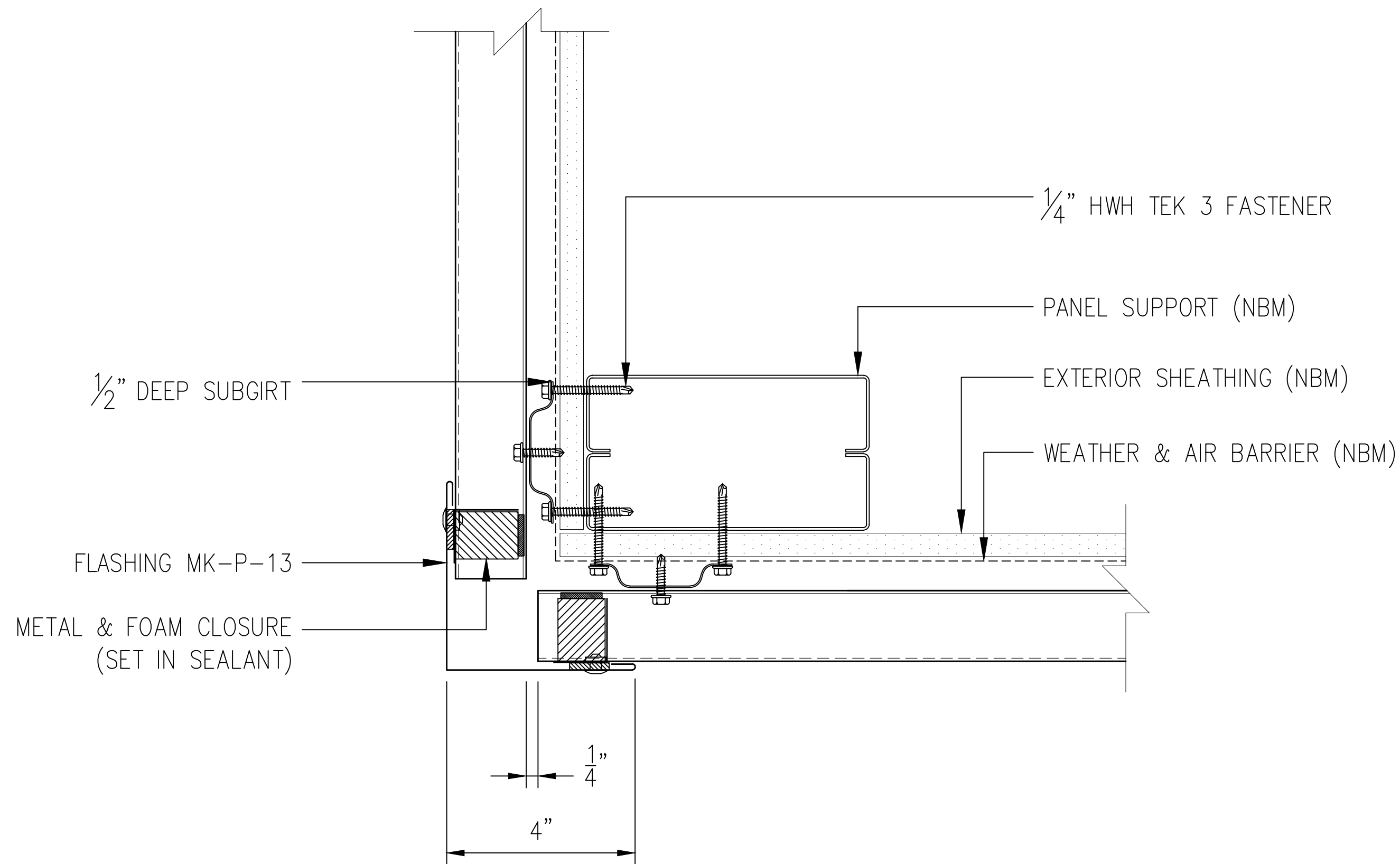


Outside Corner with Miterseam

CORNER TO BE INSTALLED
AT SAME TIME AS PANELS

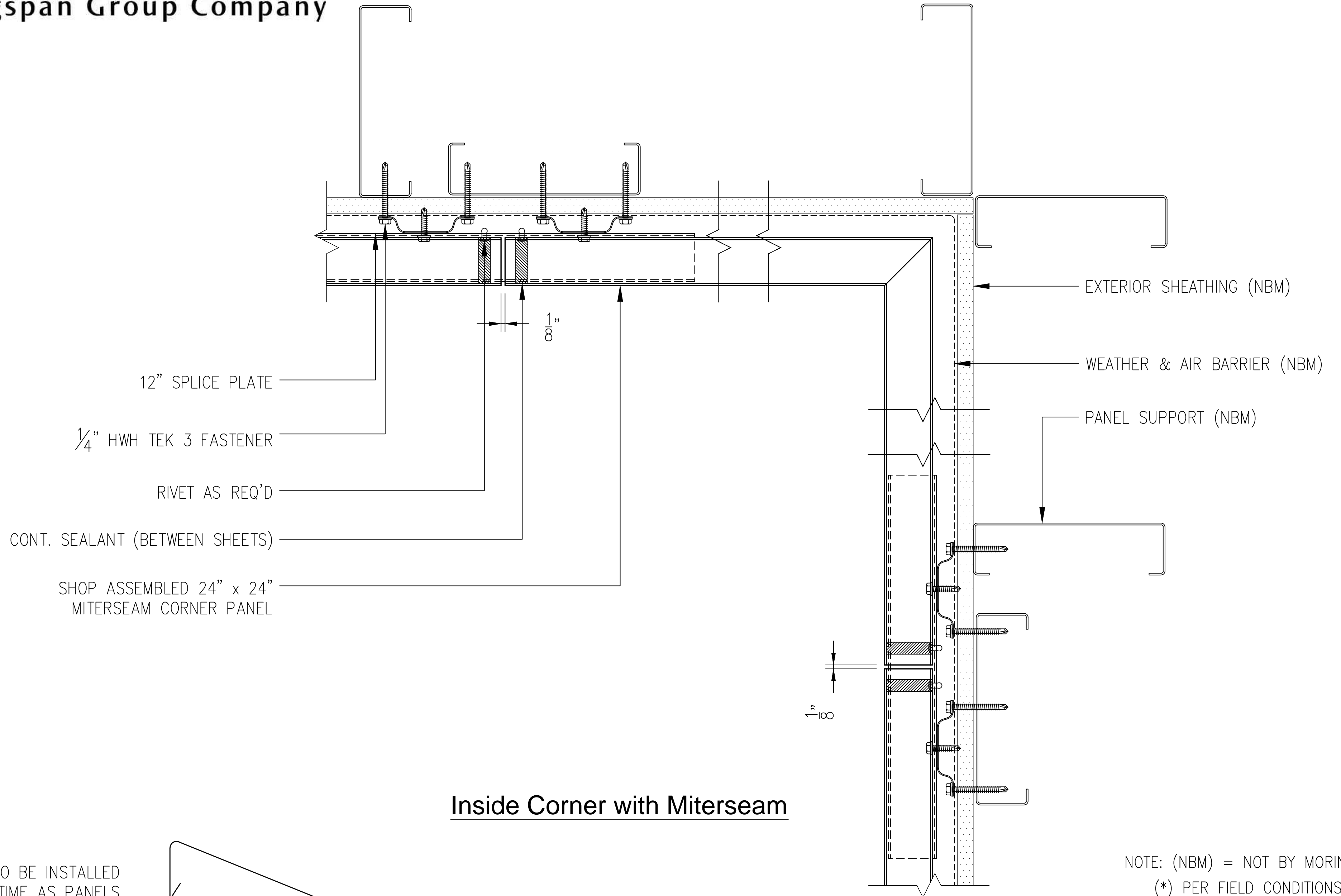


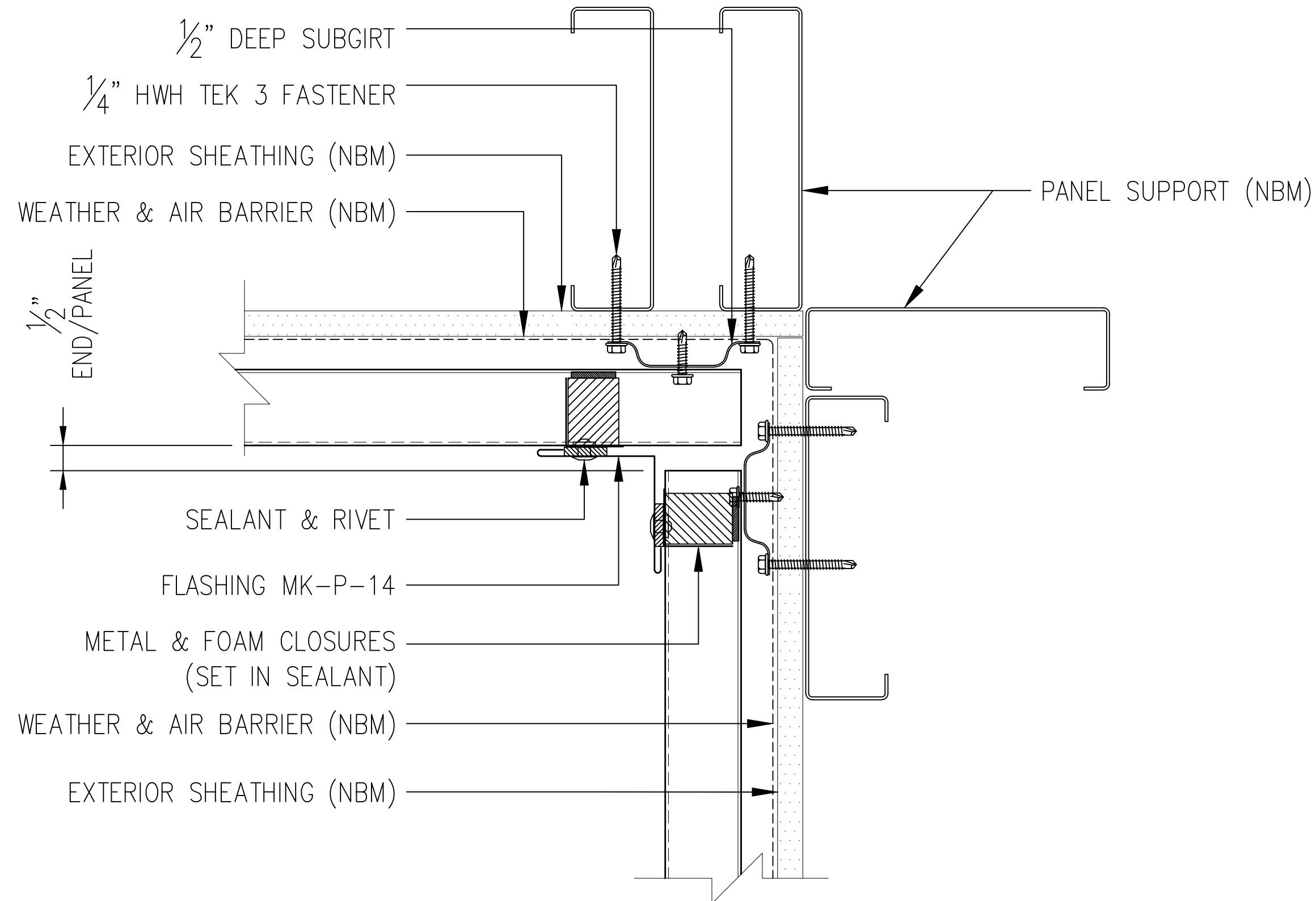
NOTE: (NBM) = NOT BY MORIN
(*) PER FIELD CONDITIONS



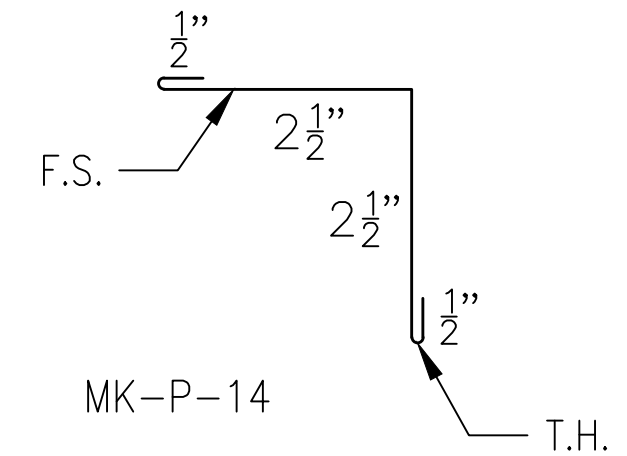
Outside Corner Detail

NOTE: (NBM) = NOT BY MORIN
(*) PER FIELD CONDITIONS

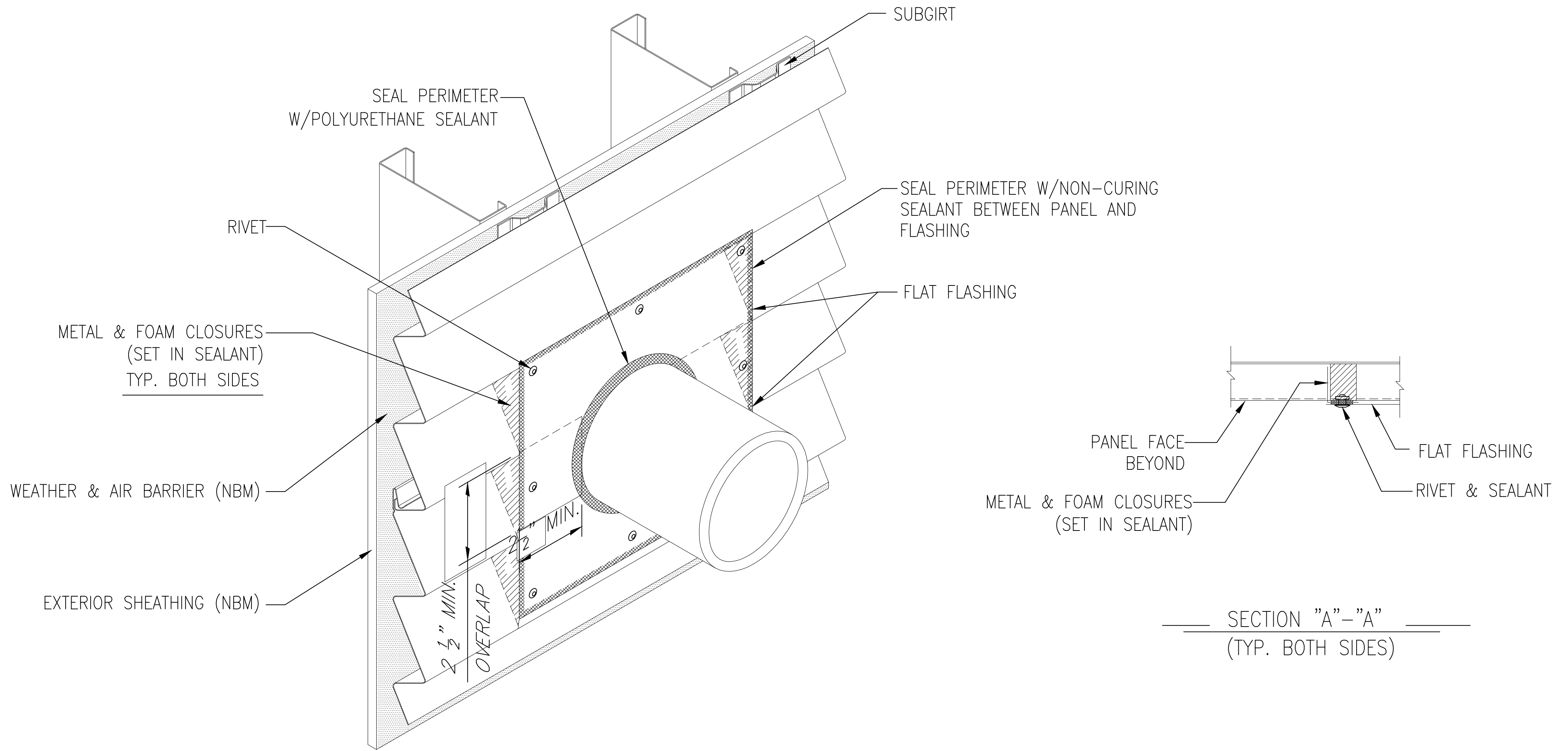




Inside Corner Detail



NOTE: (NBM) = NOT BY MORIN
 (*) PER FIELD CONDITIONS



Penetration Detail

SECTION "A"-"A"
(TYP. BOTH SIDES)

NOTE: (NBM) = NOT BY MORIN
(*) PER FIELD CONDITIONS