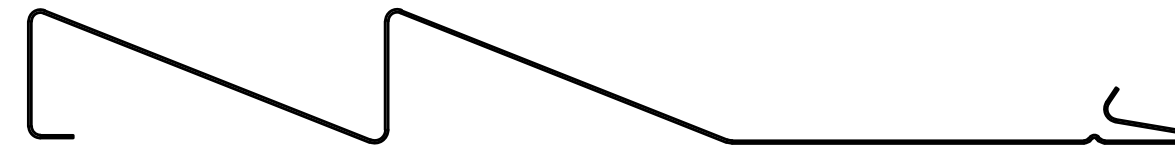
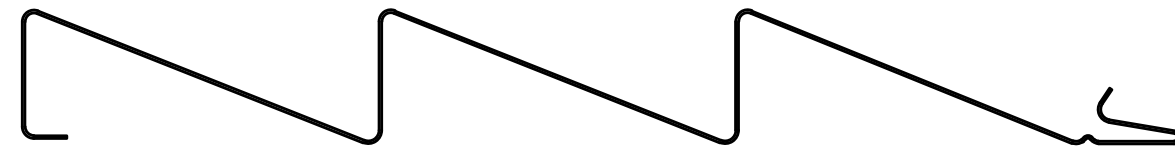


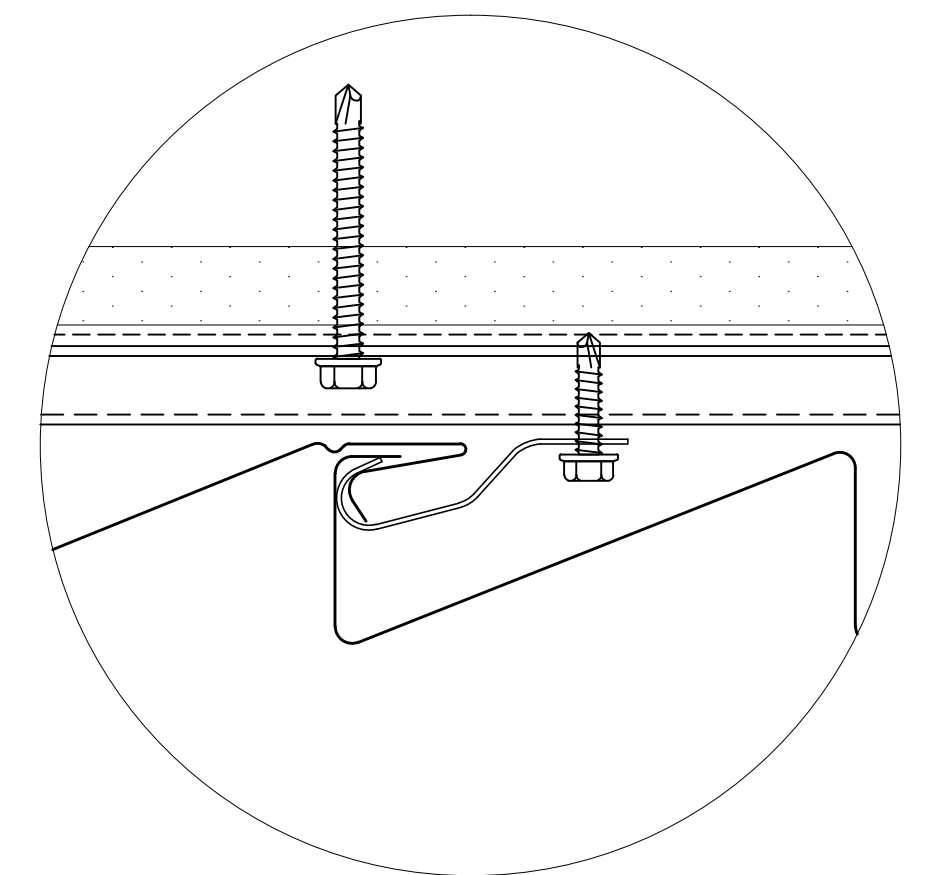
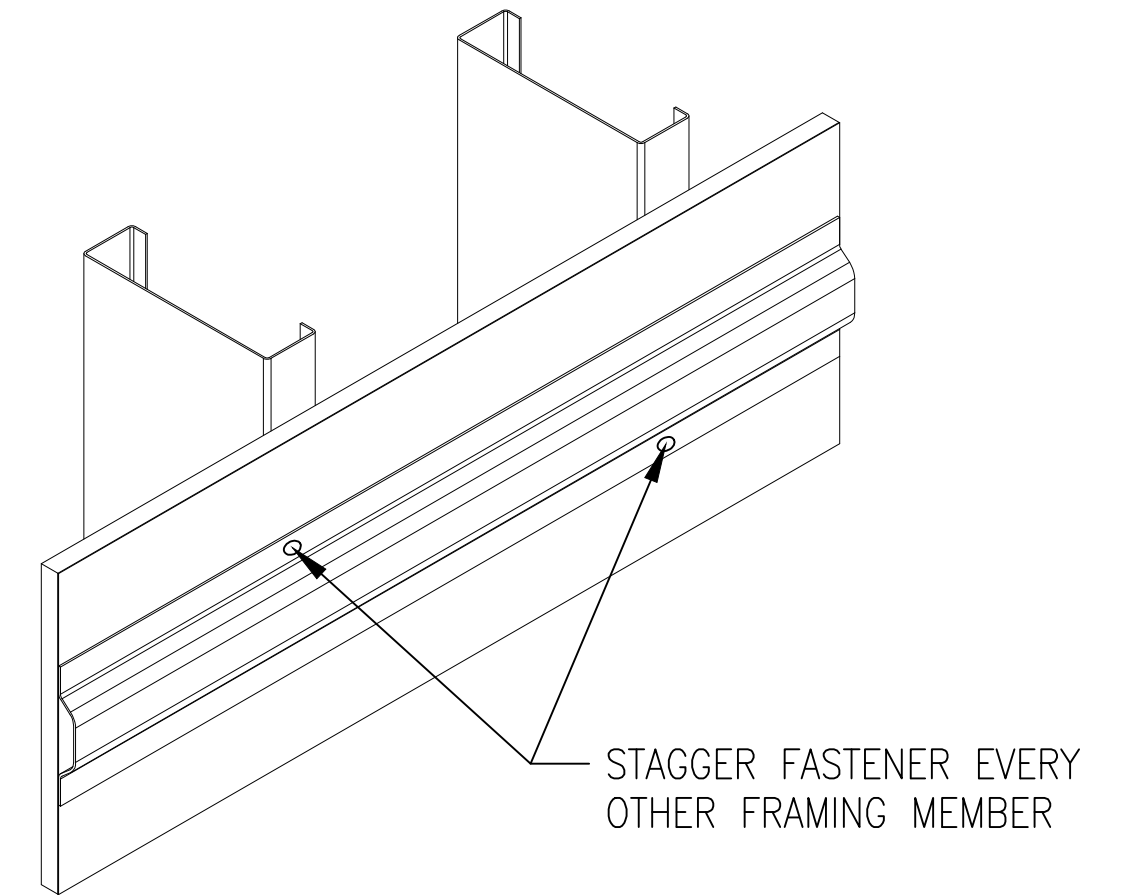
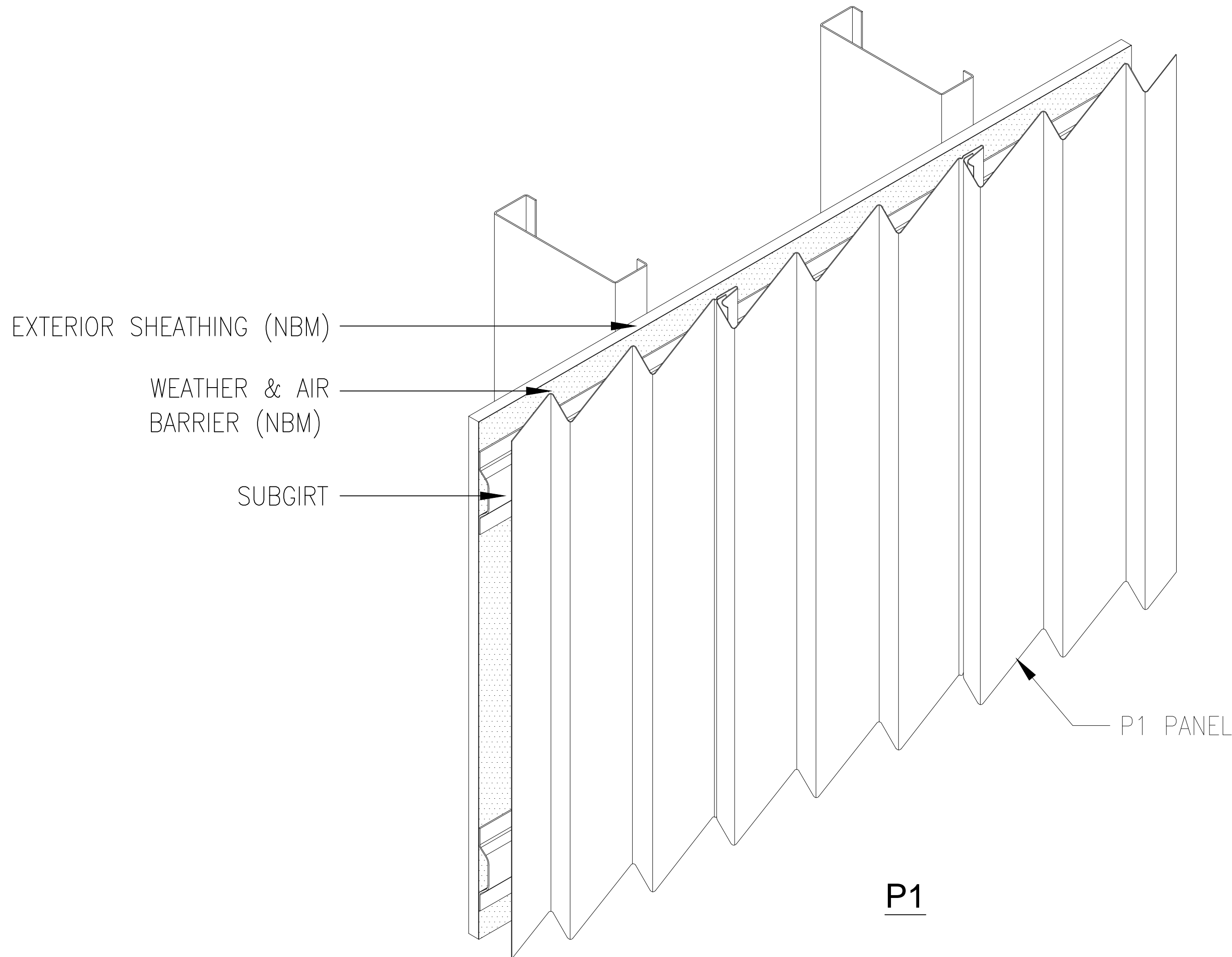
Index

P1 Panel Assembly.....	1
P2 Panel Assembly.....	2
P3 Panel Assembly.....	3
P4 Panel Assembly.....	4
P9 Panel Assembly.....	5
Coping Detail.....	6
Base at Curb or Edge of Slab Detail.....	7
Base at Slab Detail.....	8
Stack Joint Detail.....	9
Door/Window/Louver Head Detail.....	10
Door/Window/Louver Sill Detail.....	11
Door/Window/Louver Jamb Detail.....	12
Intersection of Head/Jamb/Sill.....	13
Front Soffit	14
Front Soffit	15
Back Soffit	16
Back Soffit	17
Endwall.....	18
Outside Corner	19
Inside Corner	20
Penetration Detail.....	21
Expansion Detail.....	22
Transition Detail.....	23



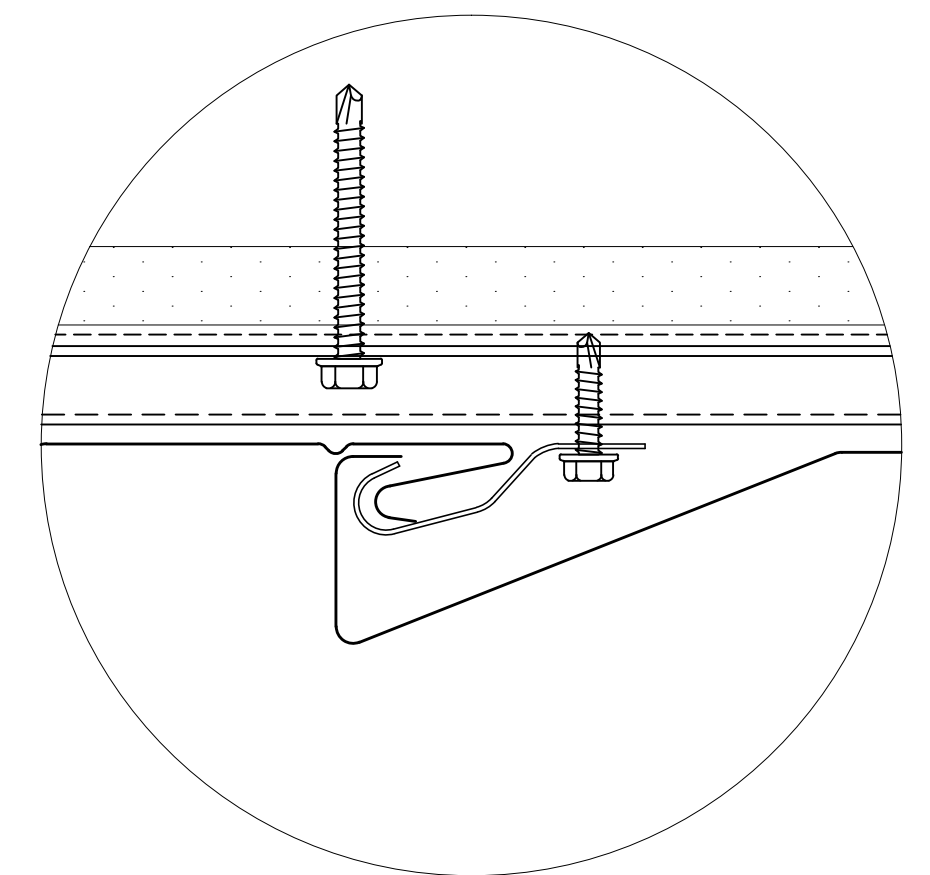
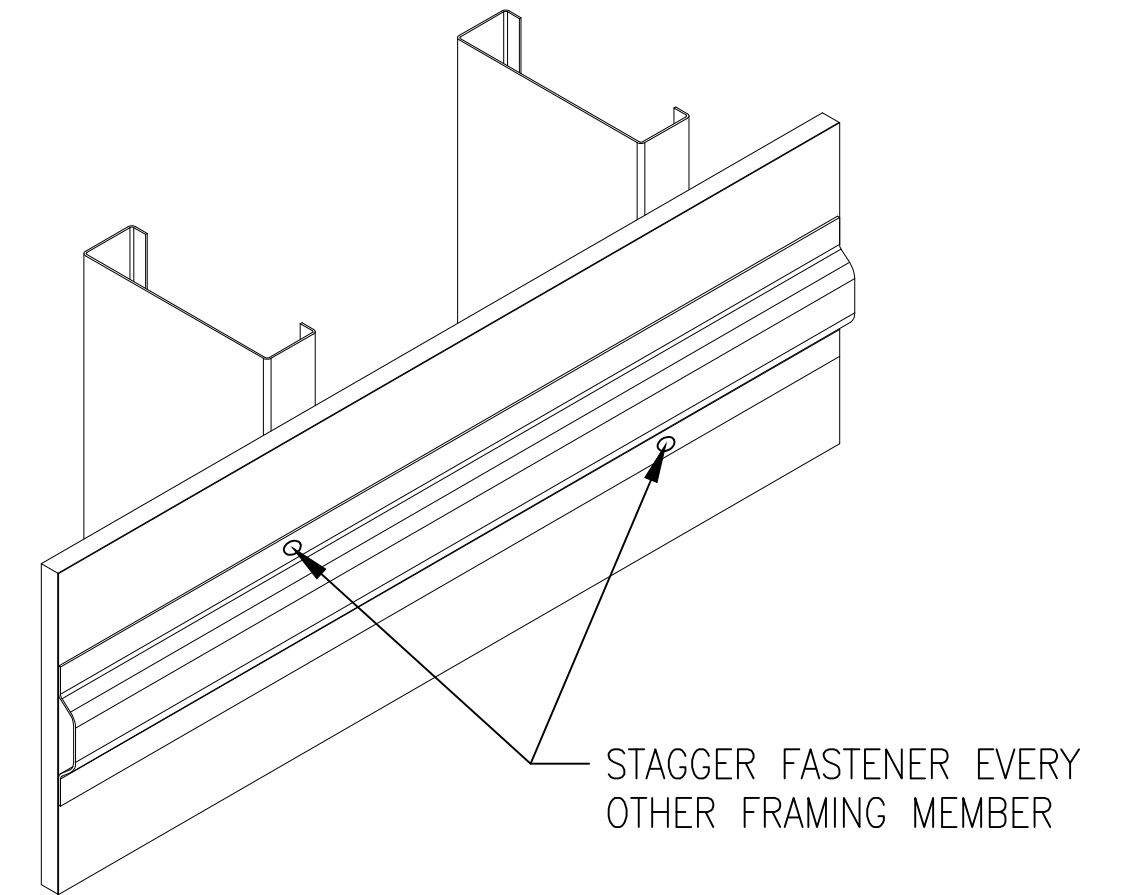
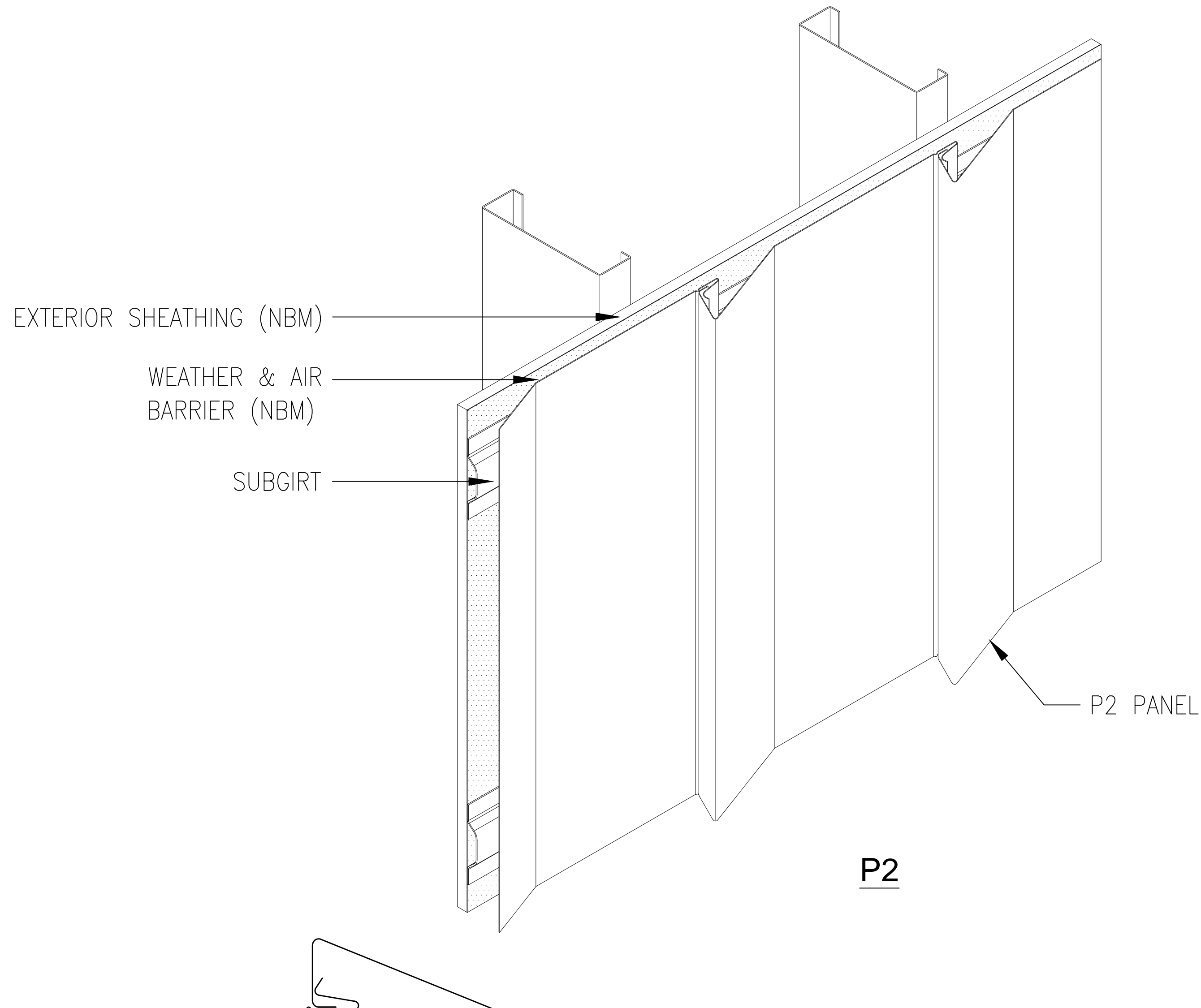
*MANUAL DOES NOT APPLY TO ZINC OR COPPER APPLICATIONS

Pulse Wall Series Vertical with Trim



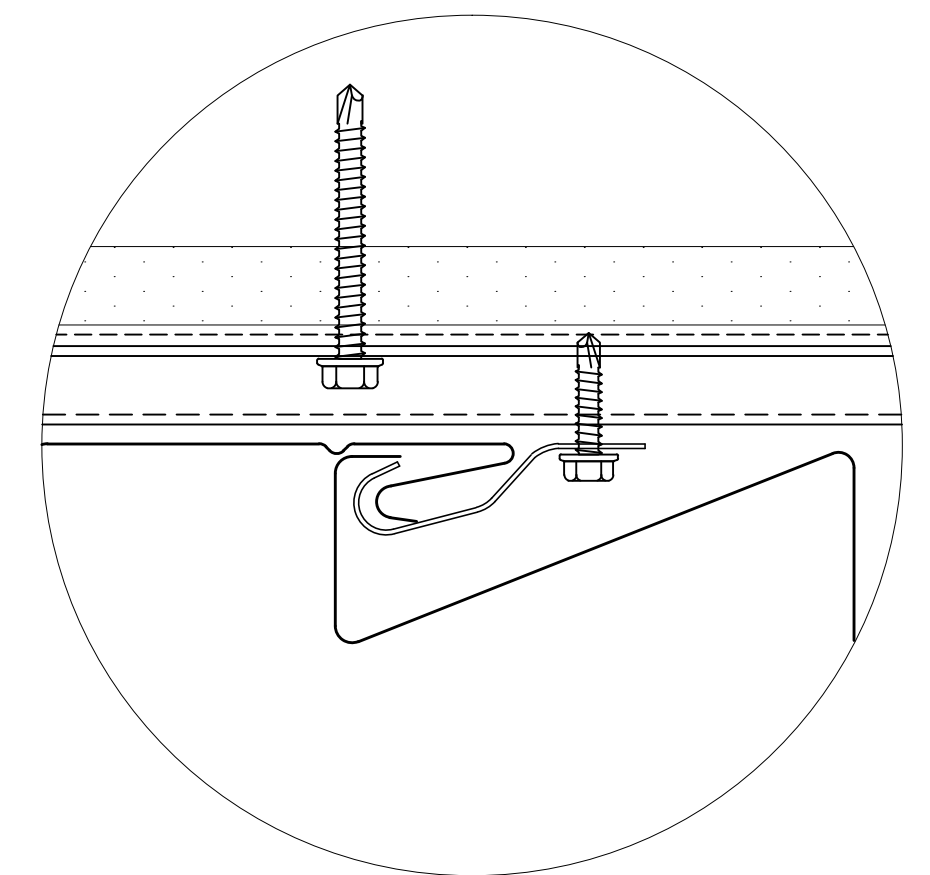
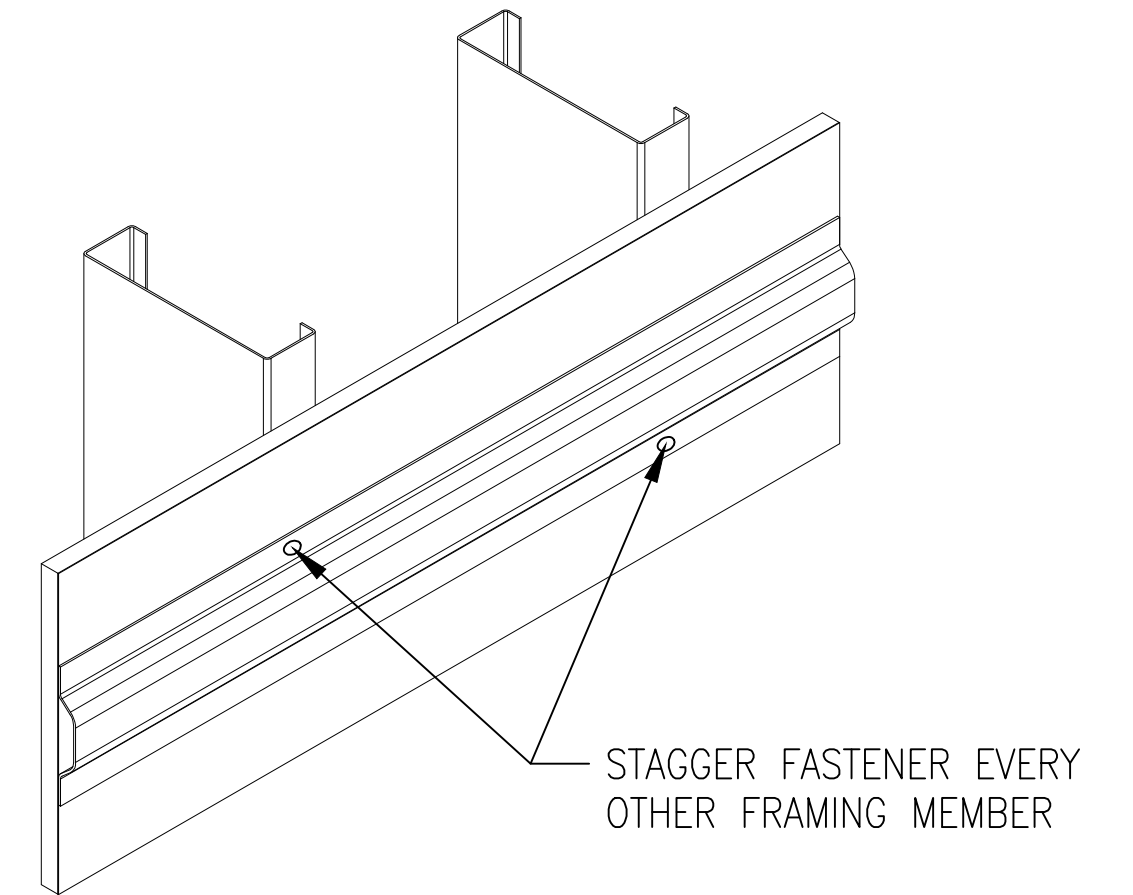
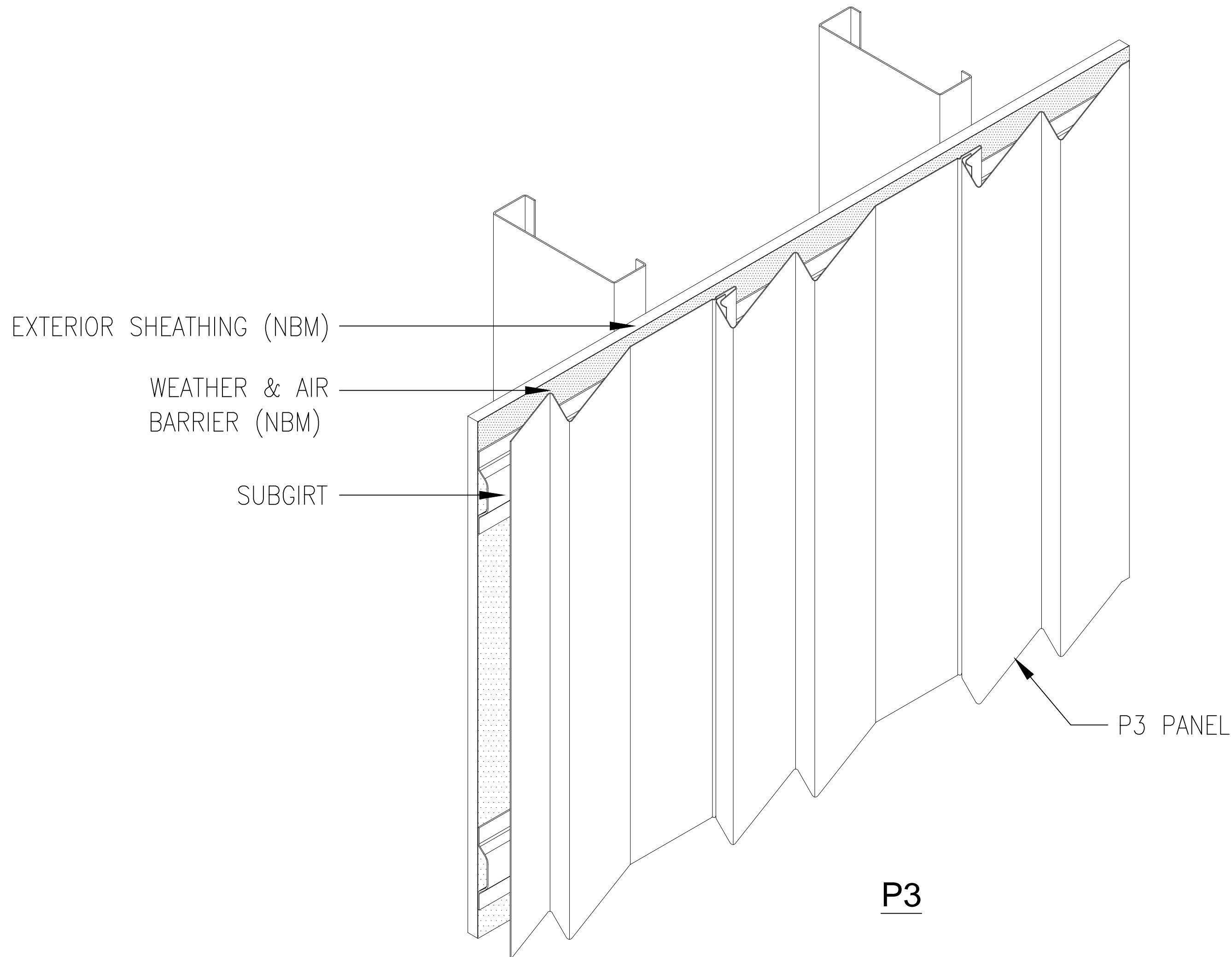
NOTE: (NBM) = NOT BY MORIN
(*) PER FIELD CONDITIONS

Pulse Wall Series Vertical with Trim



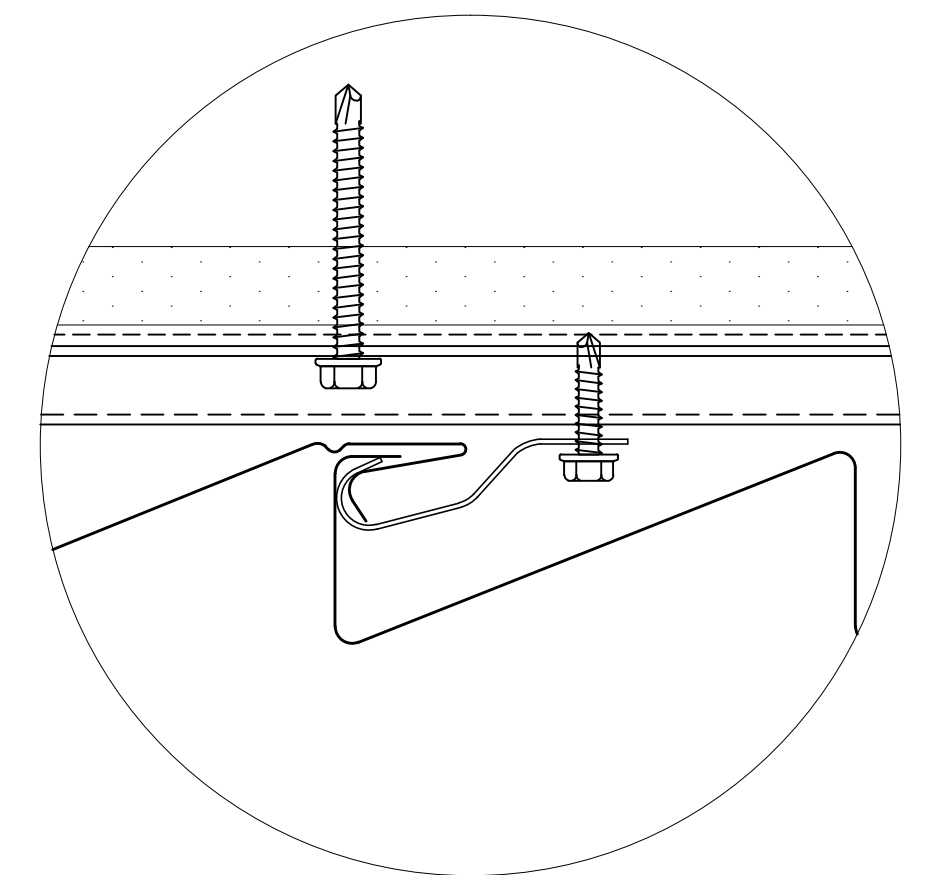
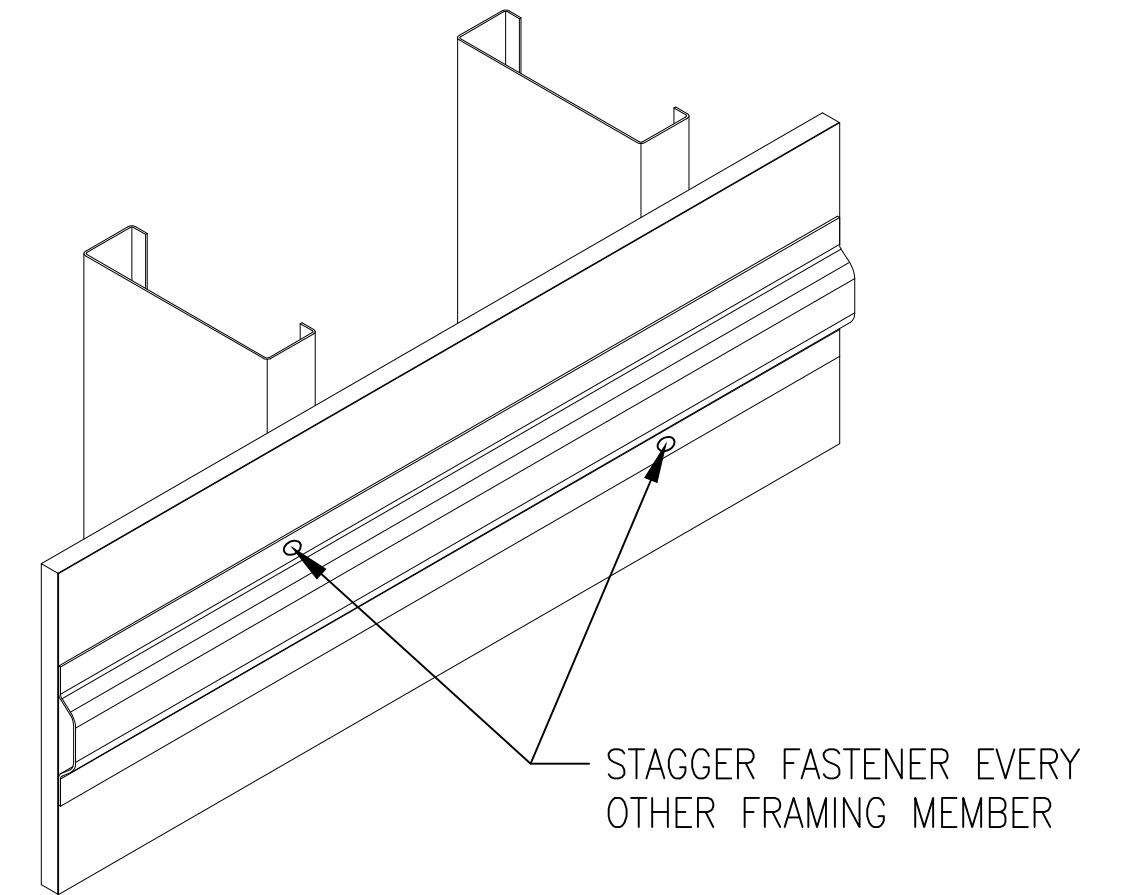
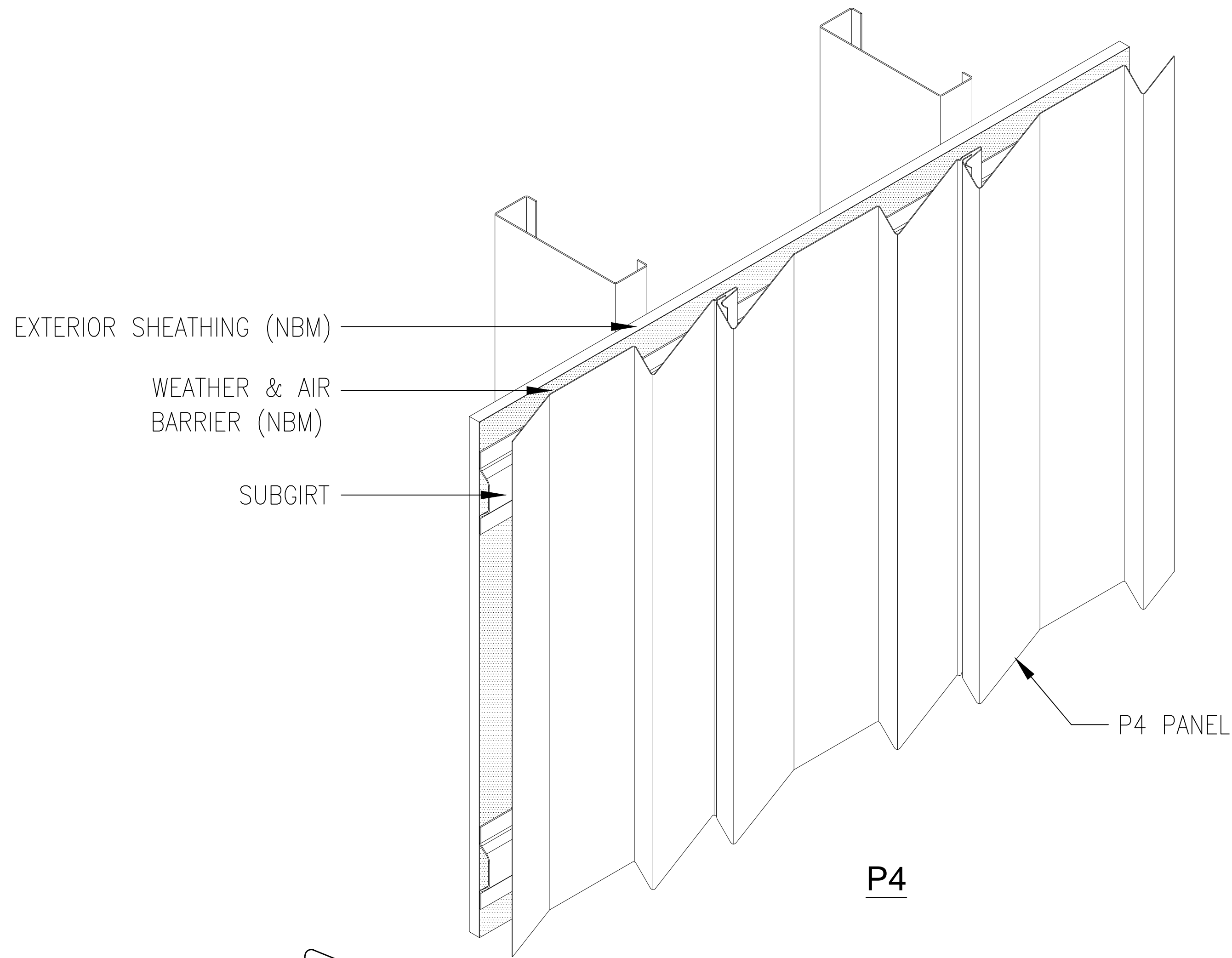
NOTE: (NBM) = NOT BY MORIN
(*) PER FIELD CONDITIONS

Pulse Wall Series Vertical with Trim



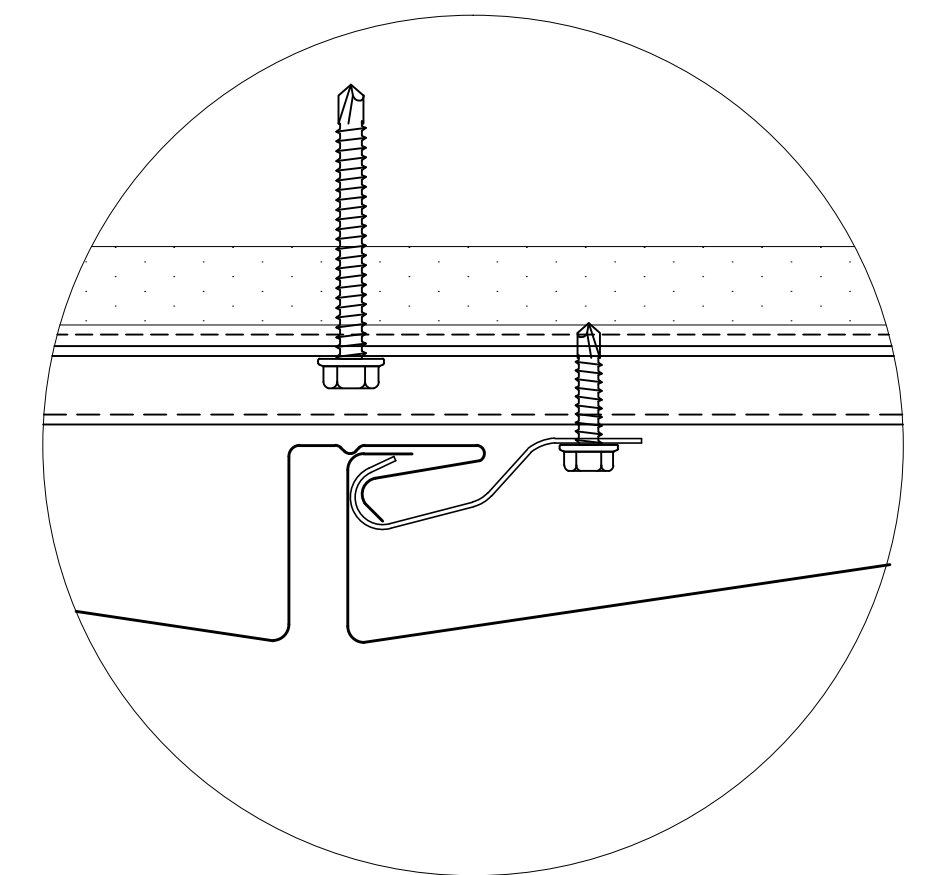
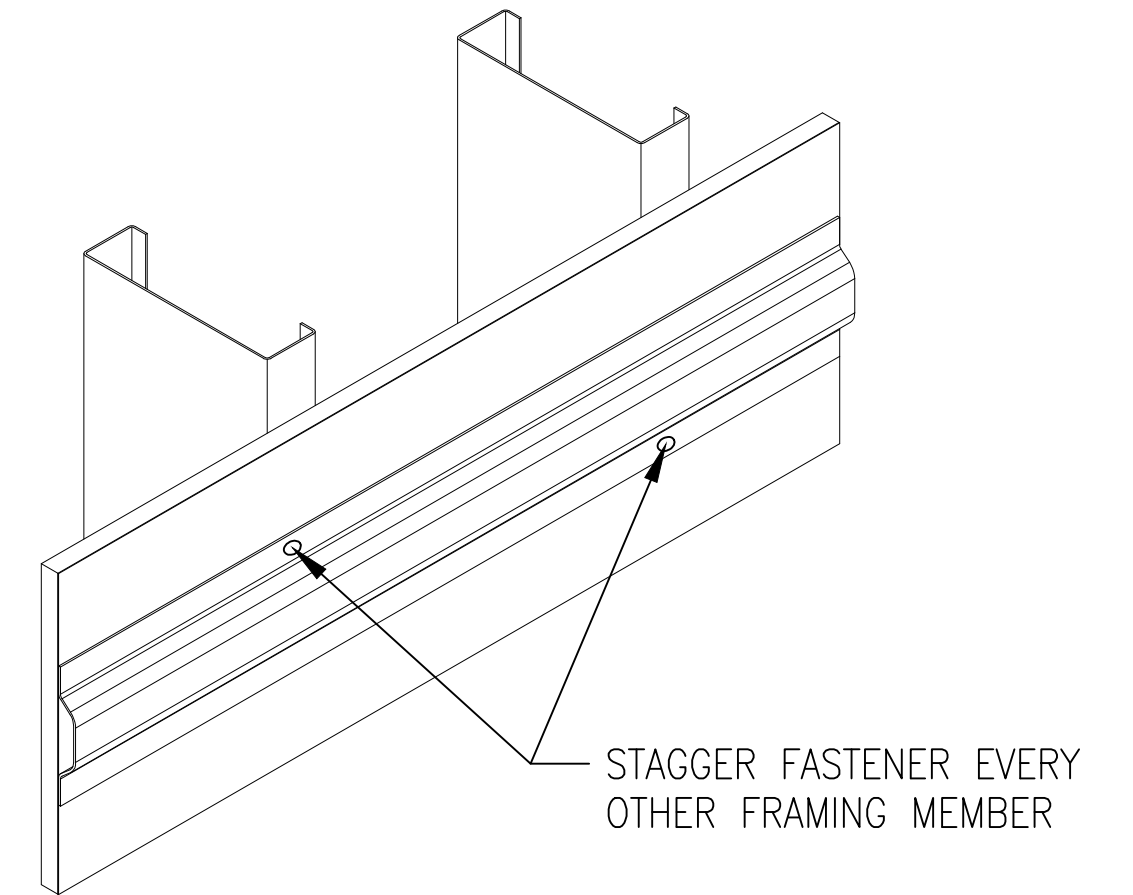
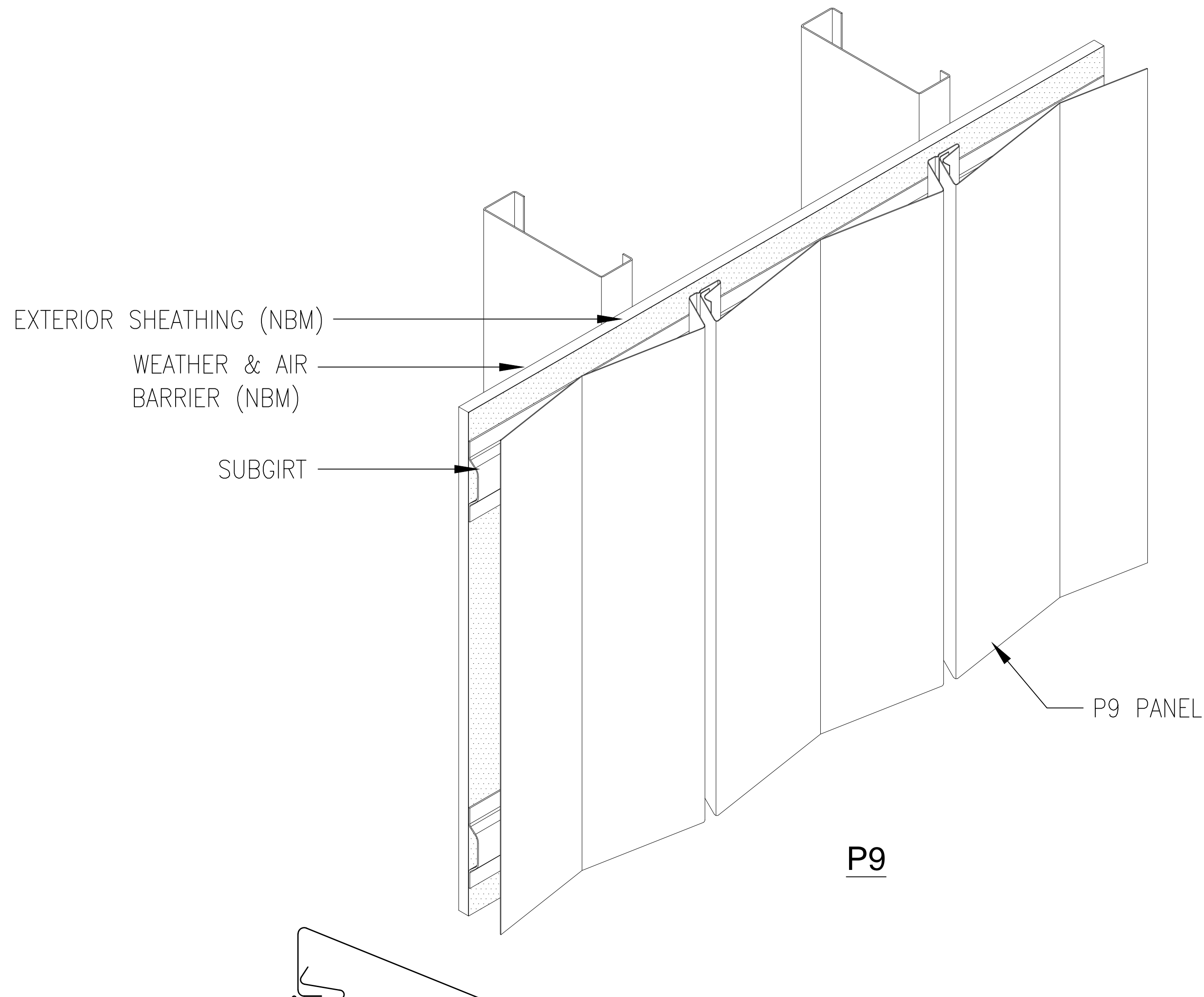
NOTE: (NBM) = NOT BY MORIN
(*) PER FIELD CONDITIONS

Pulse Wall Series Vertical with Trim



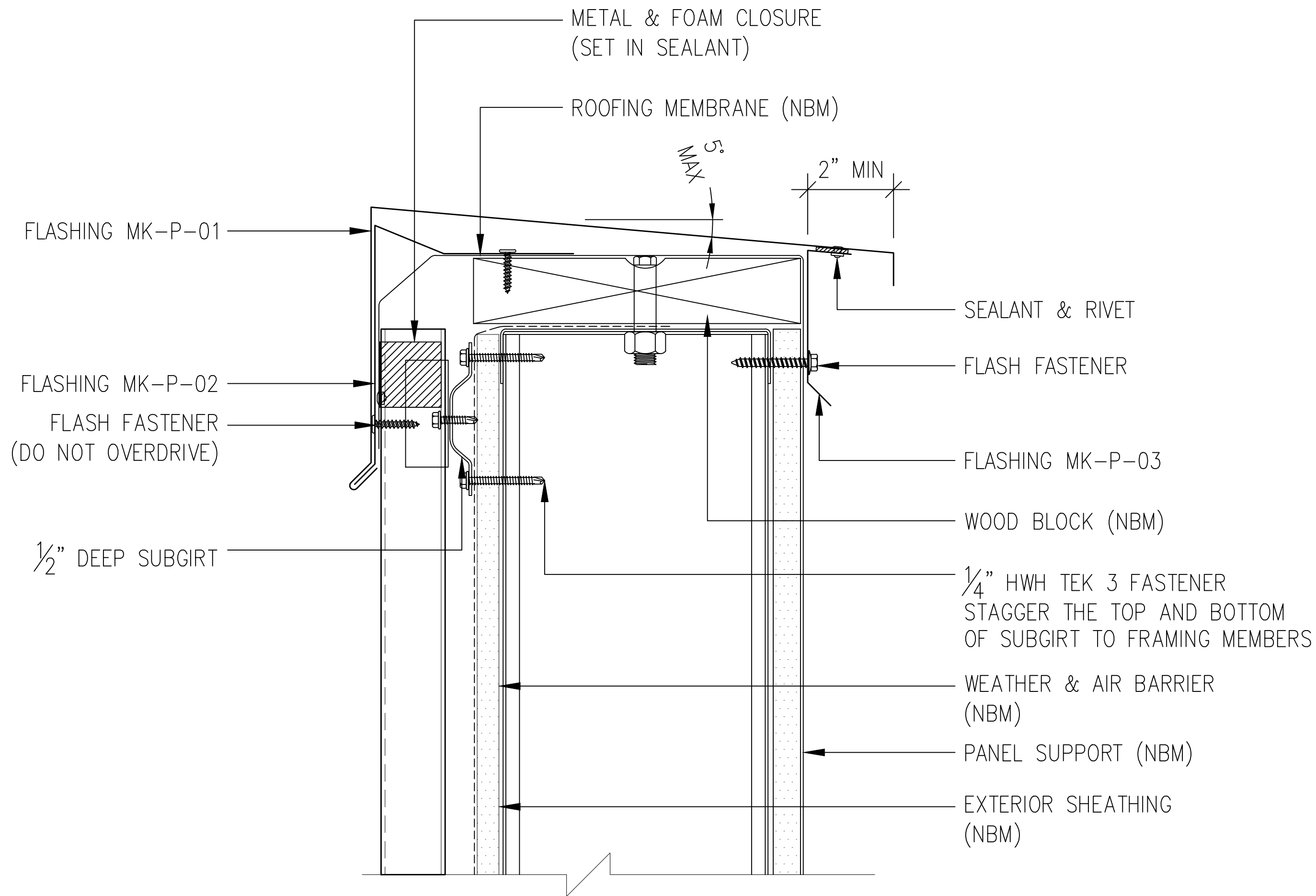
NOTE: (NBM) = NOT BY MORIN
(*) PER FIELD CONDITIONS

Pulse Wall Series Vertical with Trim

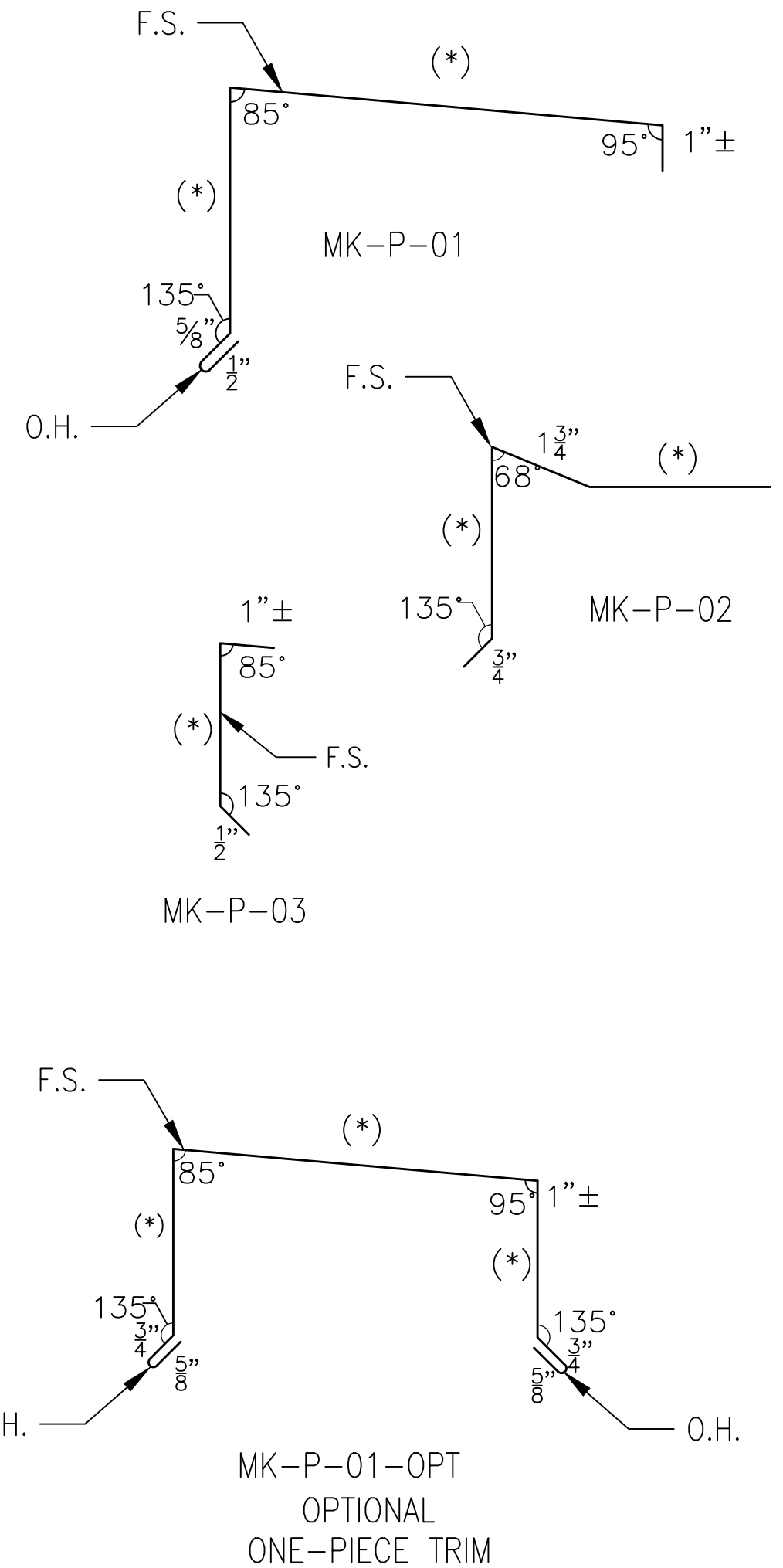


NOTE: (NBM) = NOT BY MORIN
(*) PER FIELD CONDITIONS

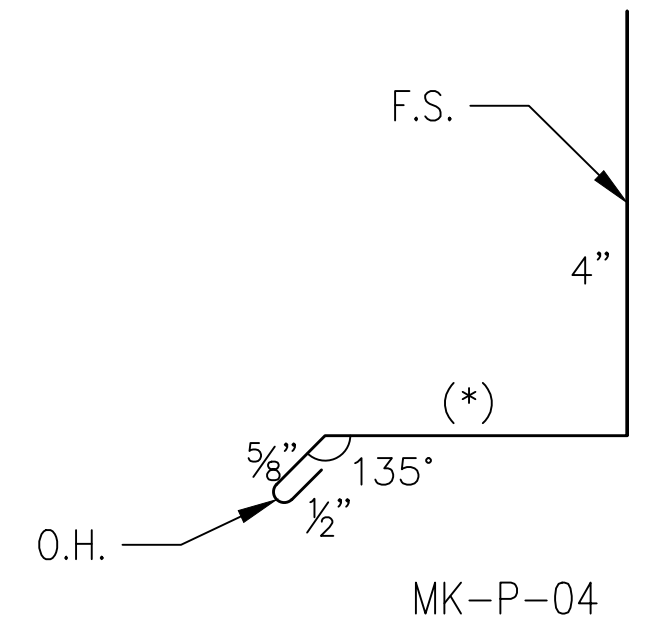
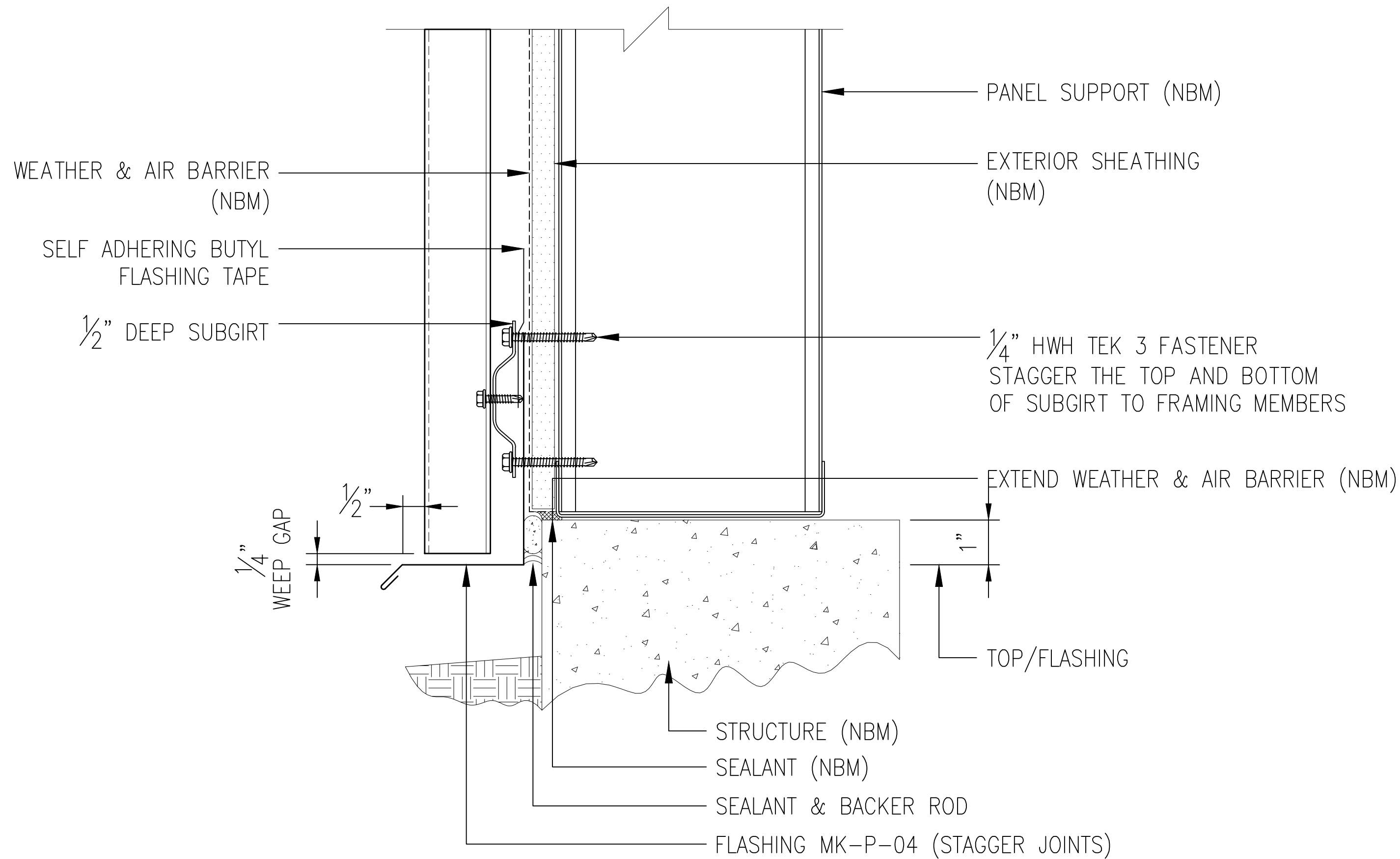
Pulse Wall Series Vertical with Trim



Coping Detail

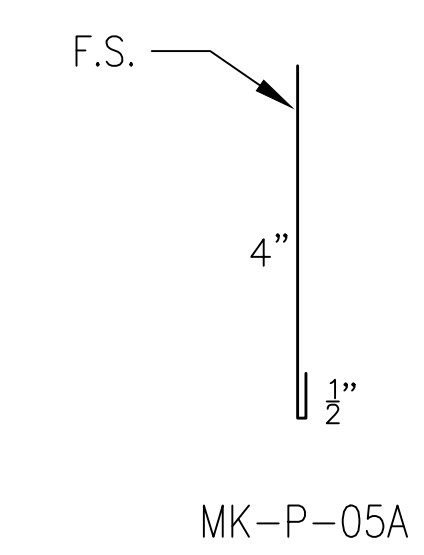
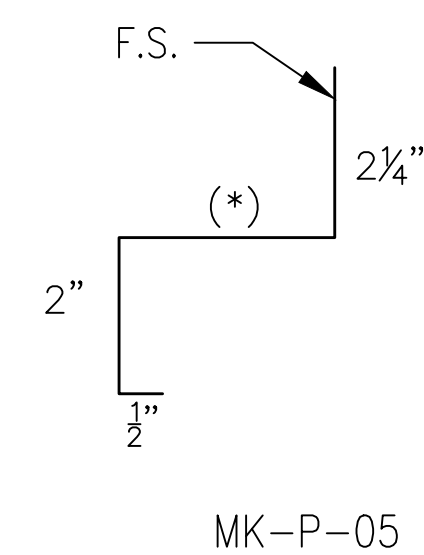
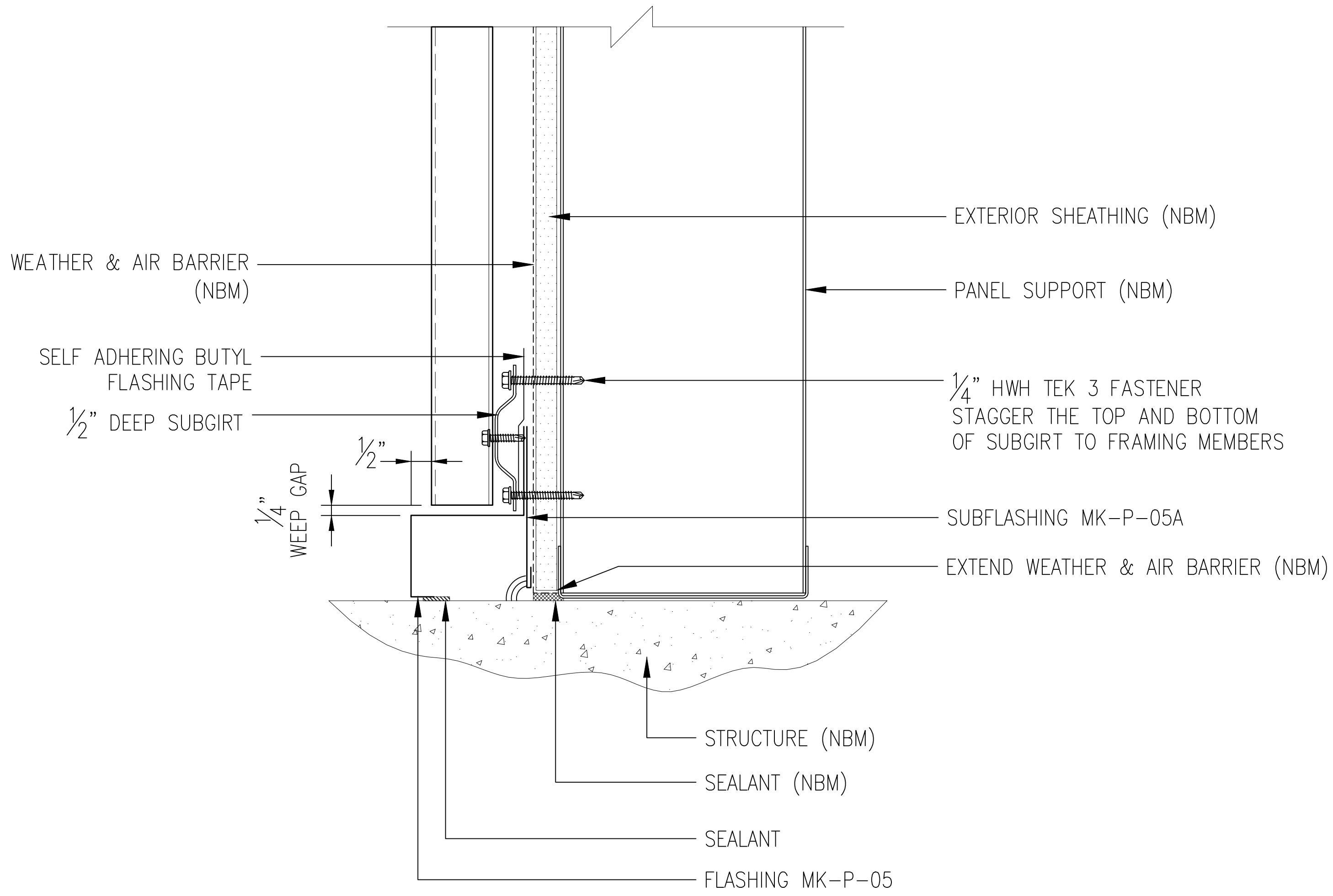


NOTE: (NBM) = NOT BY MORIN
(*) PER FIELD CONDITIONS



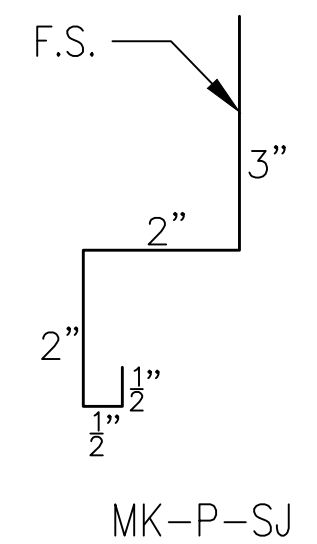
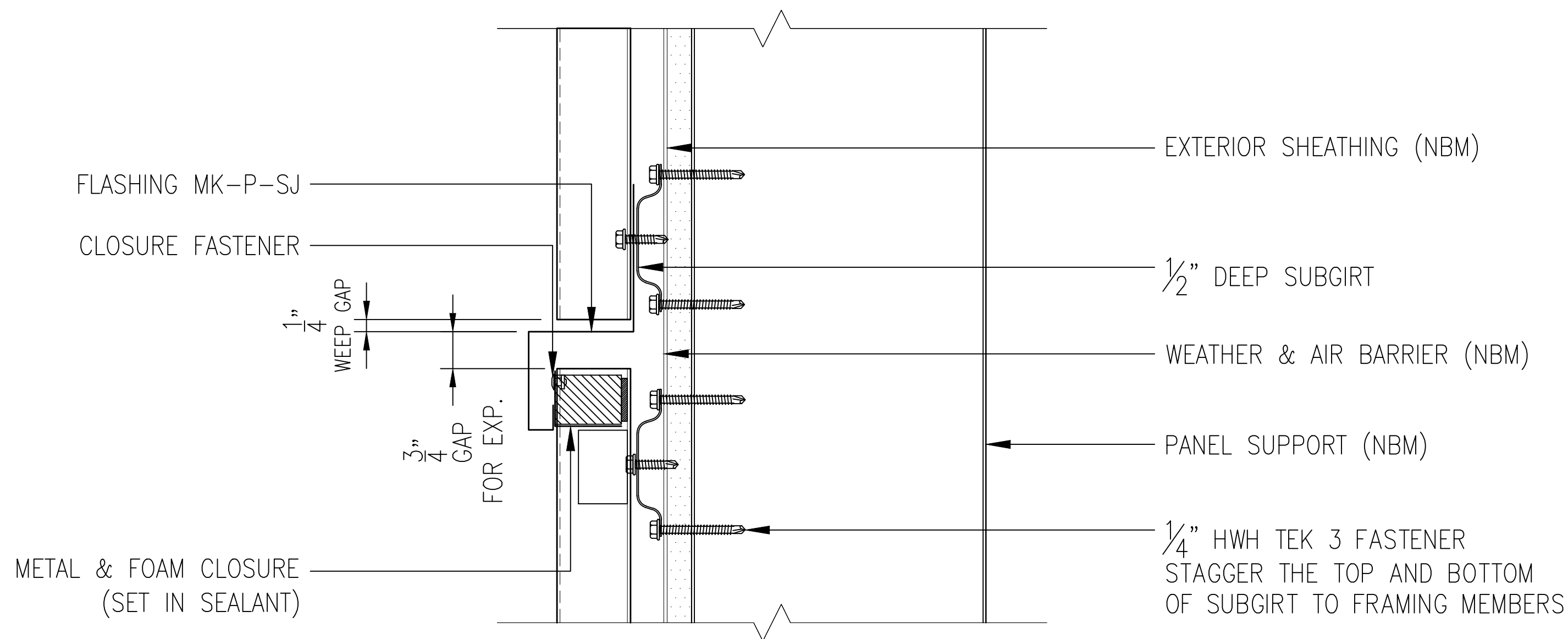
Base at Curb or Edge of Slab

NOTE: (NBM) = NOT BY MORIN
(*) PER FIELD CONDITIONS



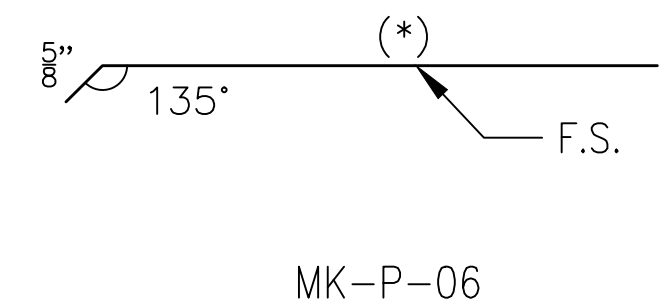
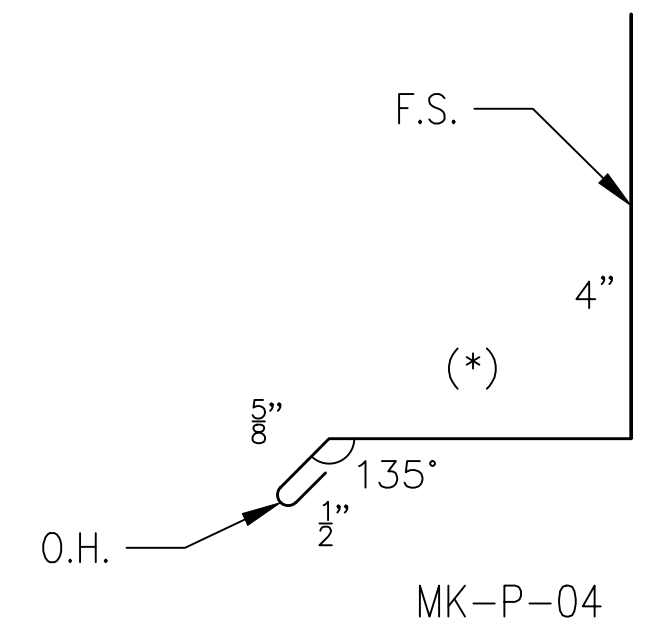
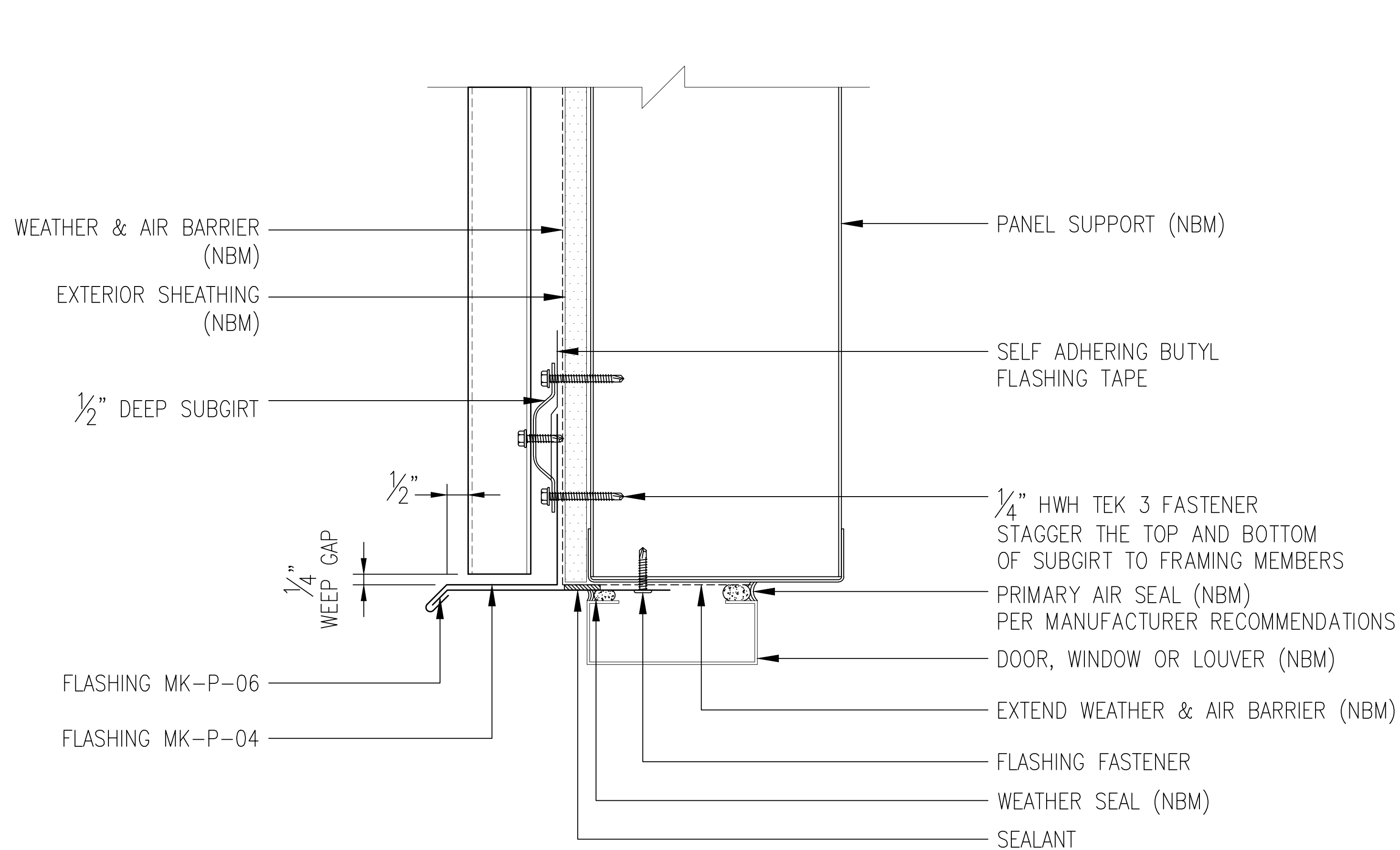
Base at Slab

NOTE: (NBM) = NOT BY MORIN
(*) PER FIELD CONDITIONS



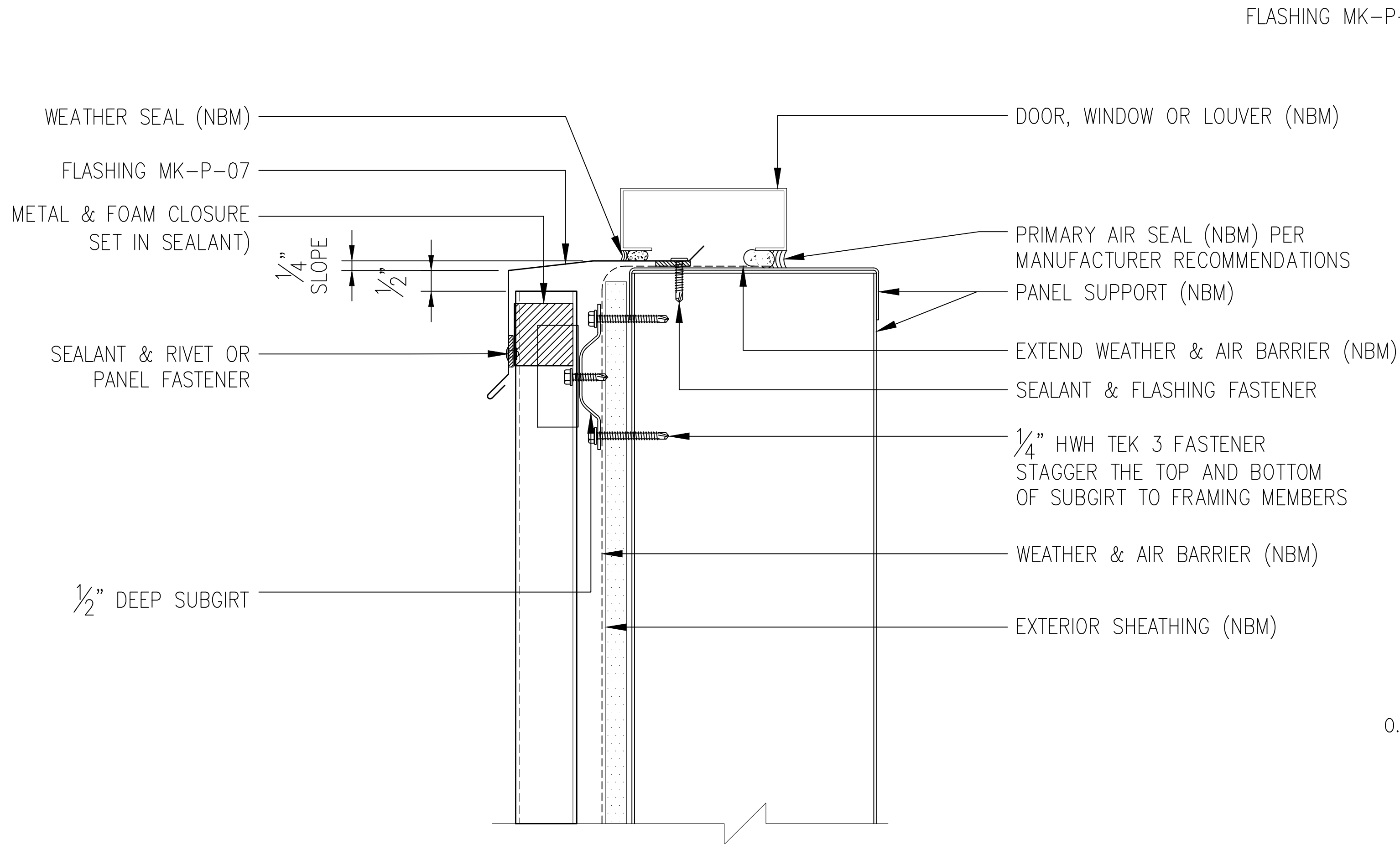
Stack Joint Detail

NOTE: (NBM) = NOT BY MORIN
(*) PER FIELD CONDITIONS

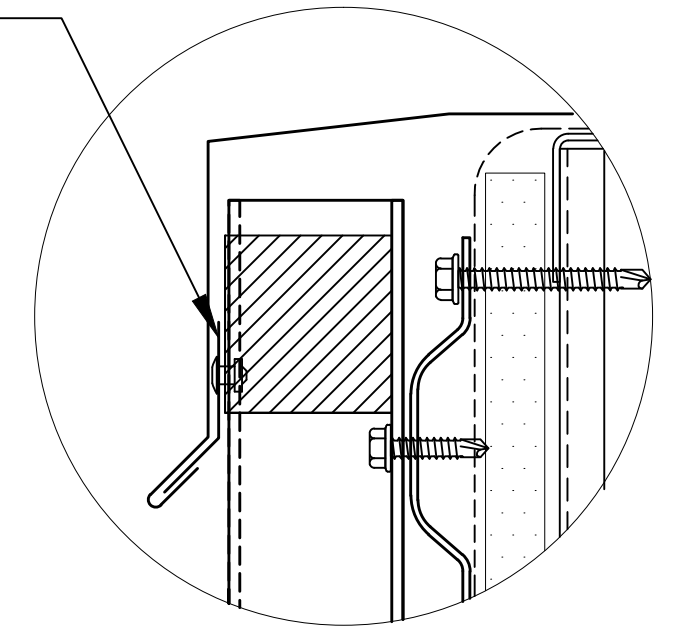


Door/Window/Louver Head Detail

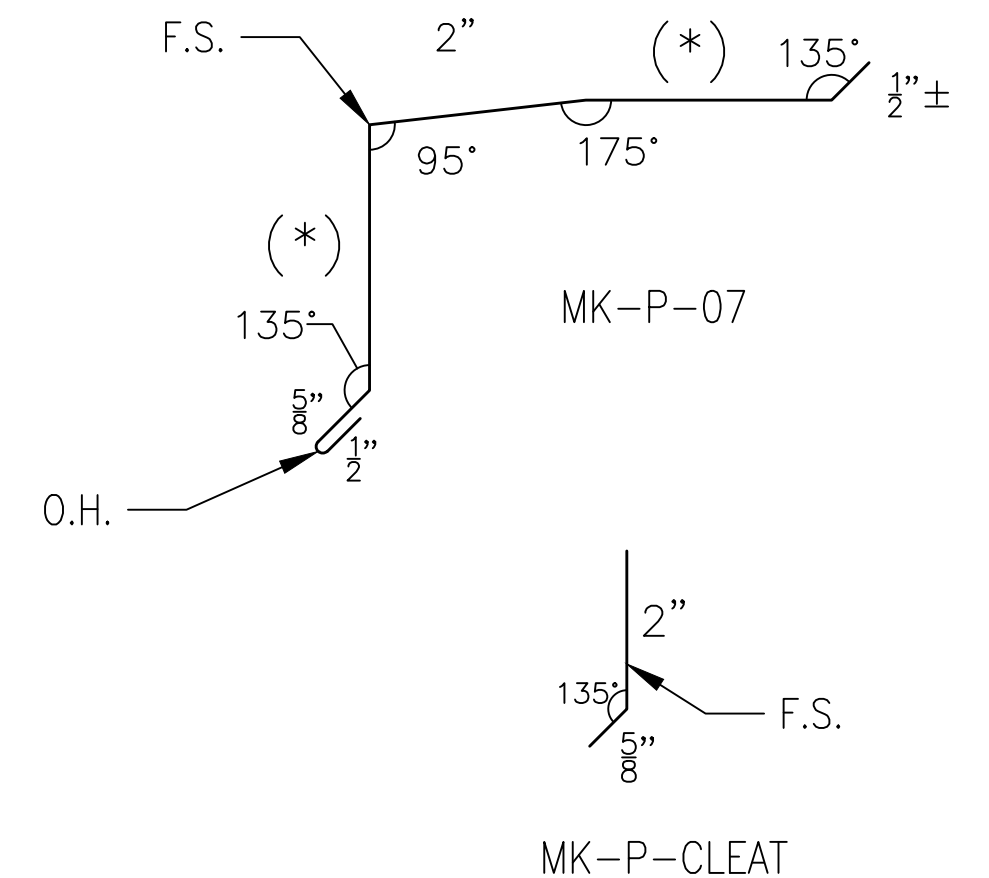
NOTE: (NBM) = NOT BY MORIN
(*) PER FIELD CONDITIONS



FLASHING MK-P-CLEAT

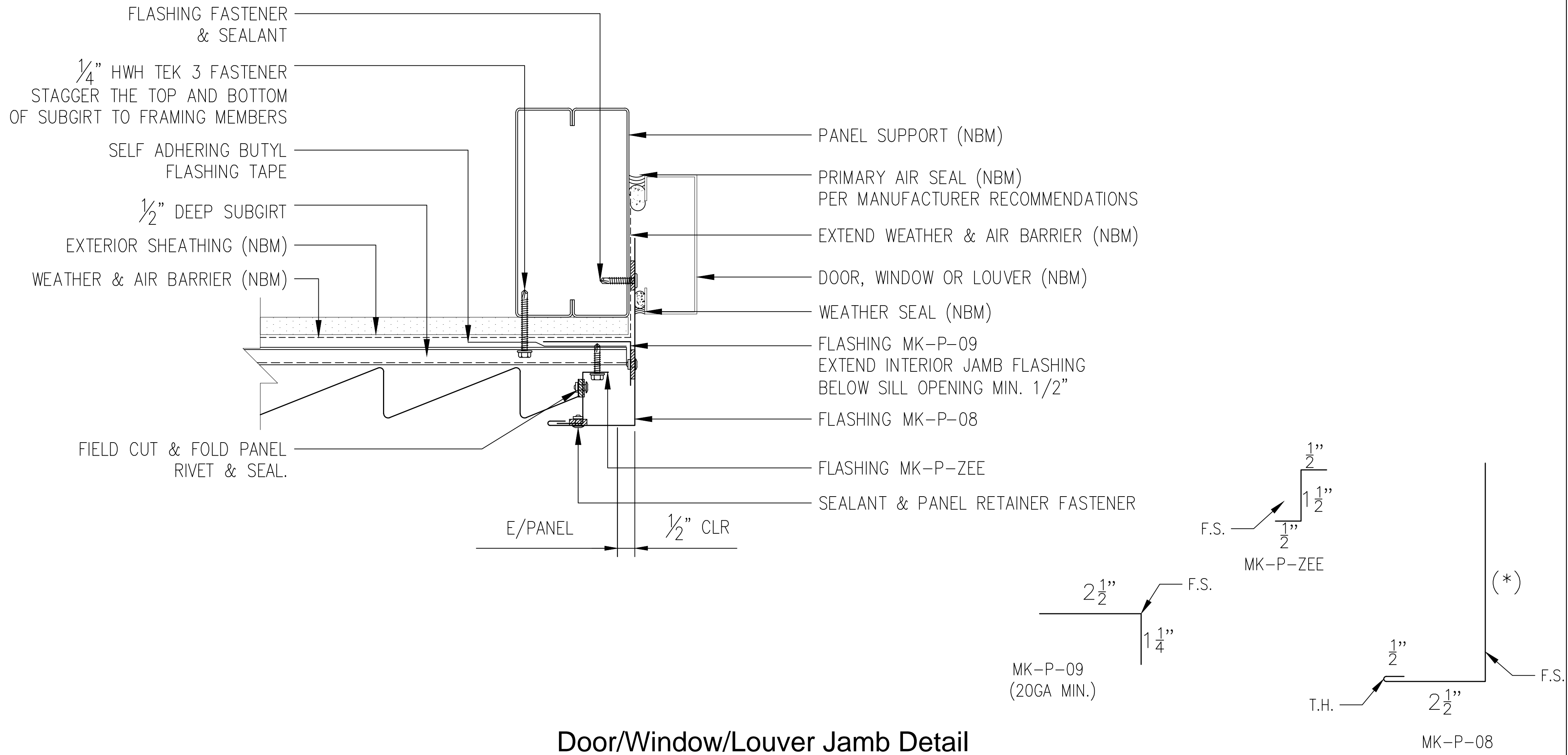


OPTIONAL DETAIL



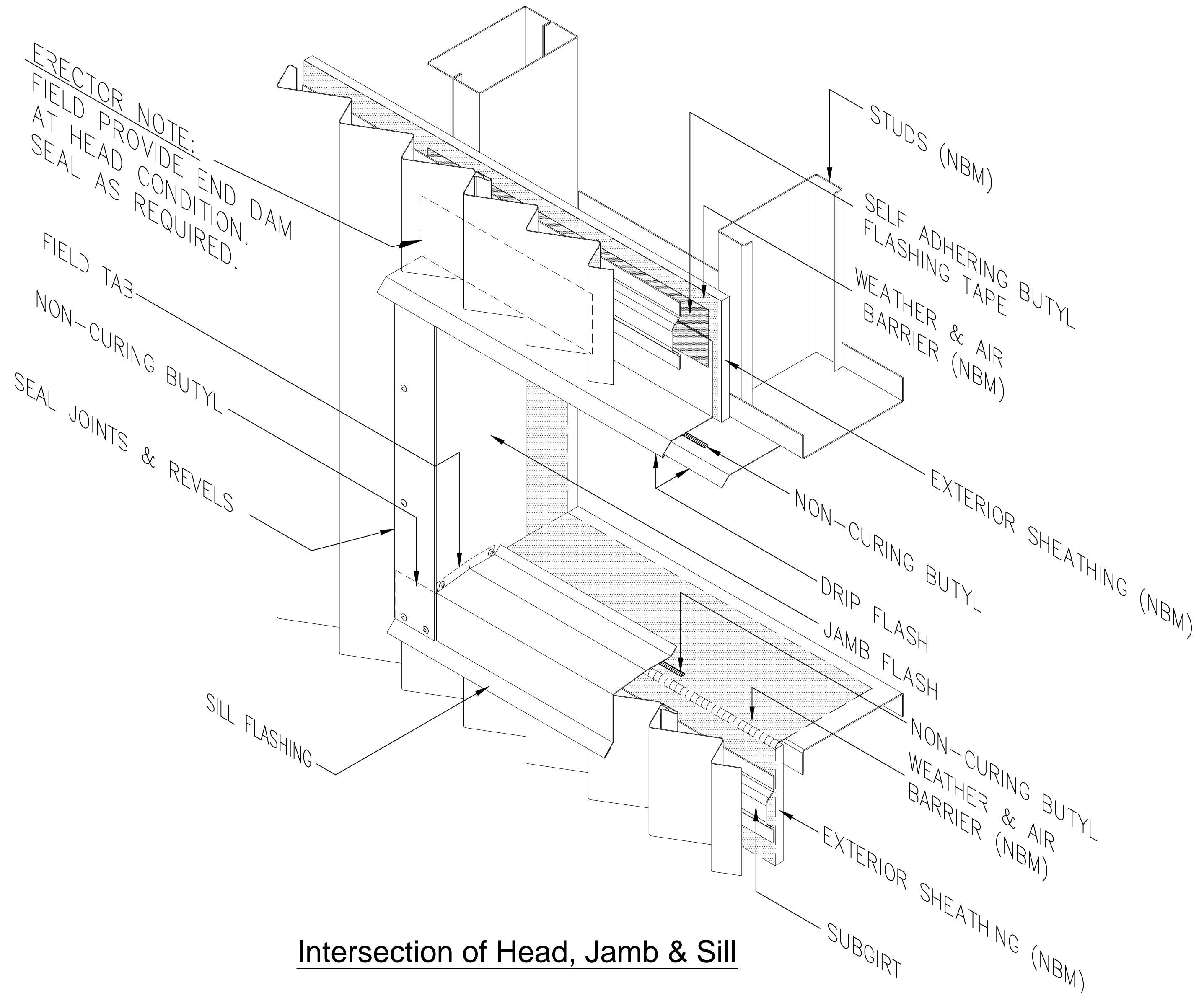
Door/Window/Louver Sill Detail

NOTE: (NBM) = NOT BY MORIN
(*) PER FIELD CONDITIONS



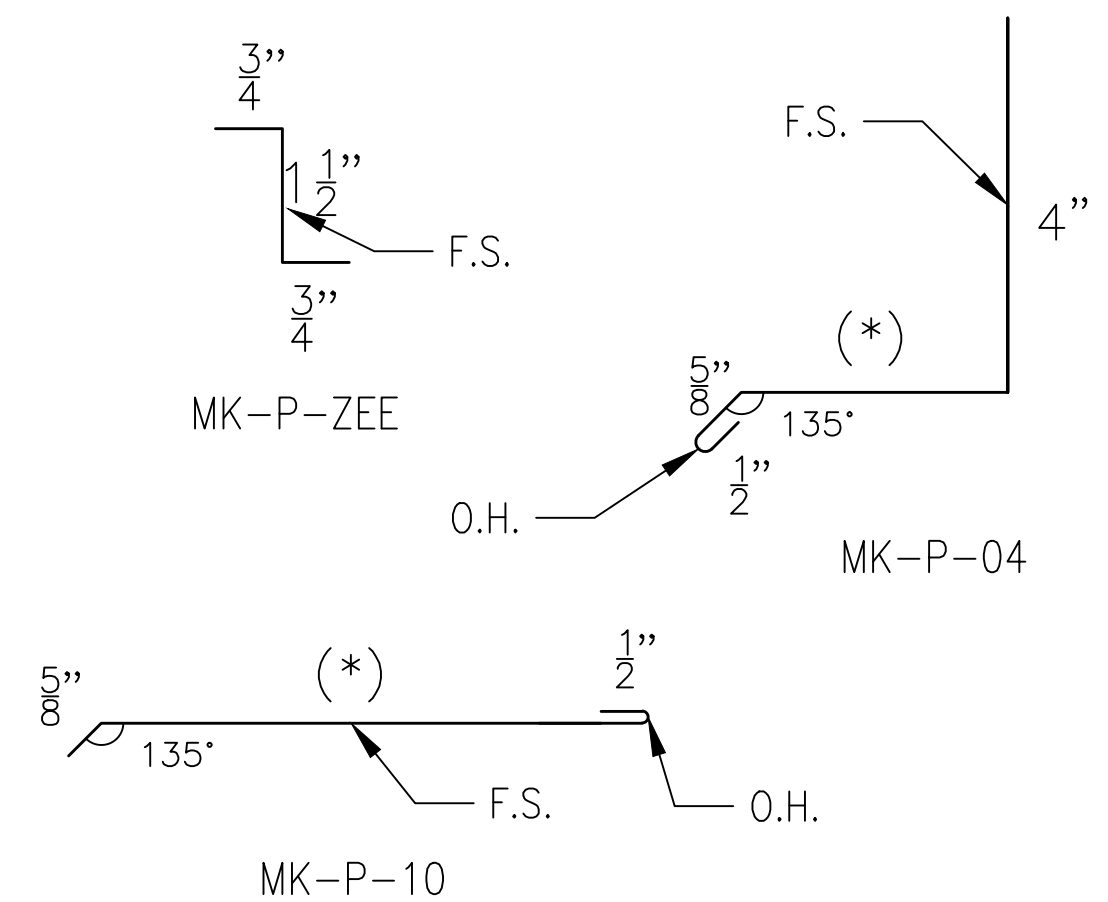
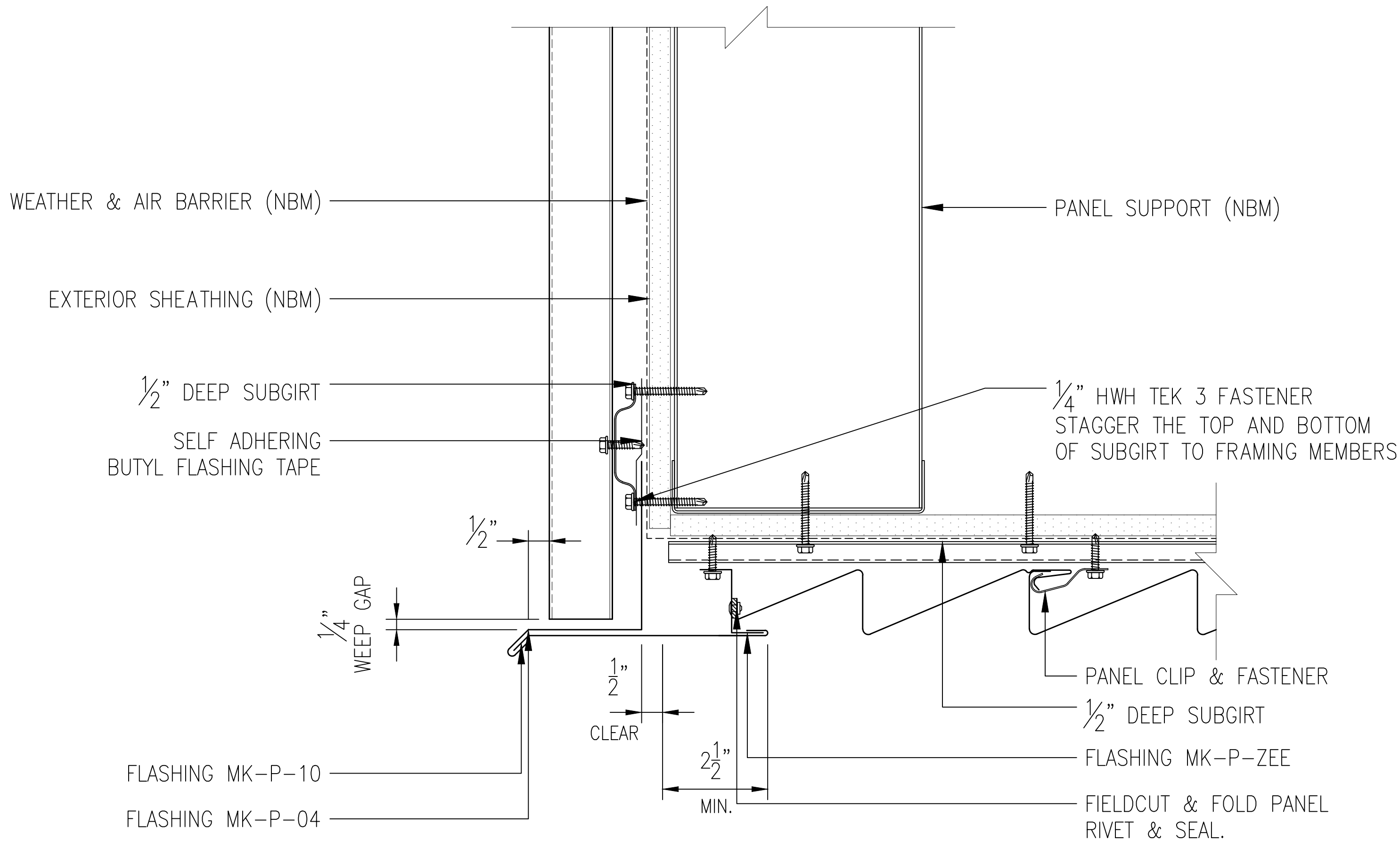
Door/Window/Louver Jamb Detail

NOTE: (NBM) = NOT BY MORIN
(*) PER FIELD CONDITIONS



Intersection of Head, Jamb & Sill

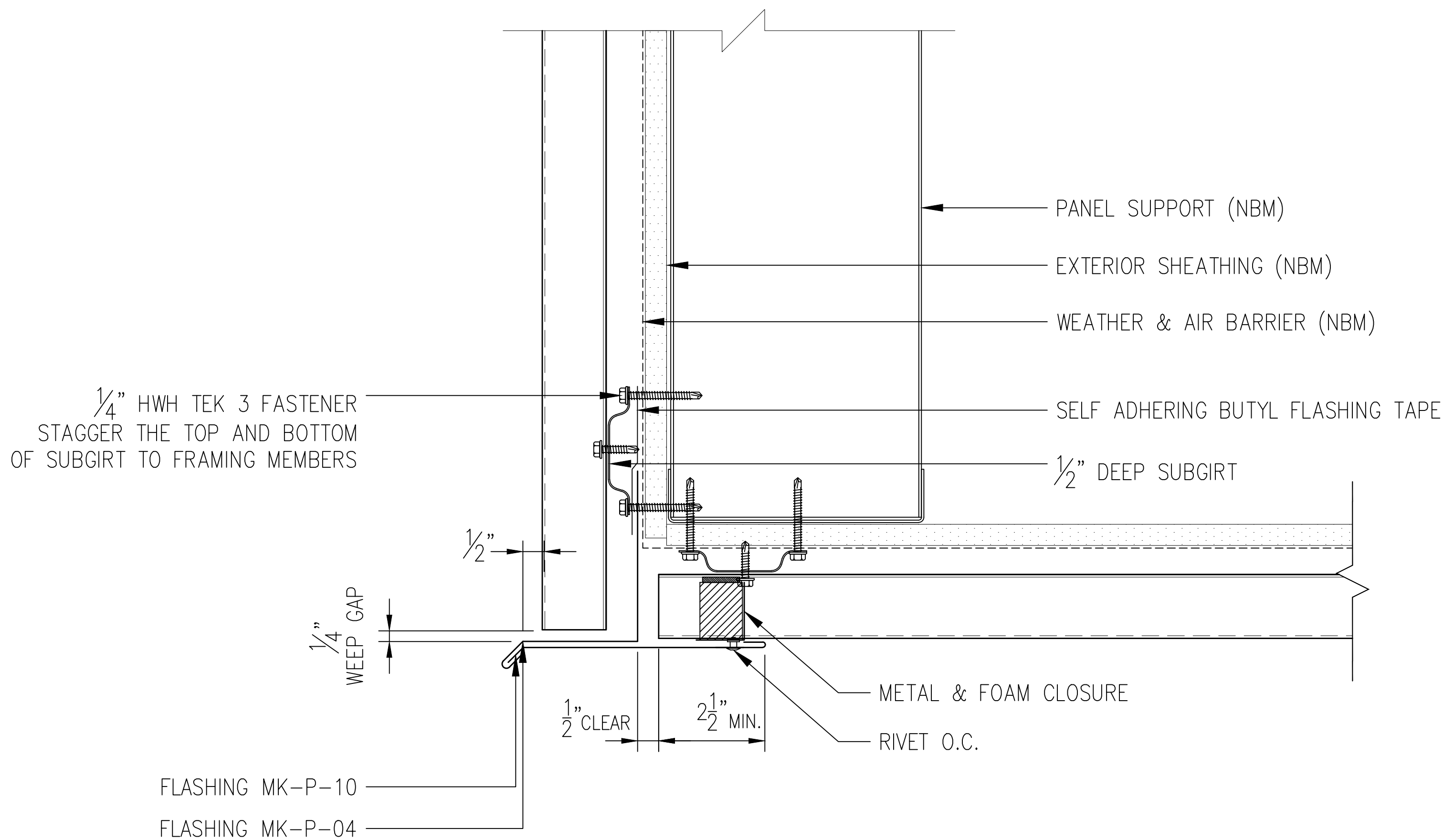
NOTE: (NBM) = NOT BY MORIN
(*) PER FIELD CONDITIONS



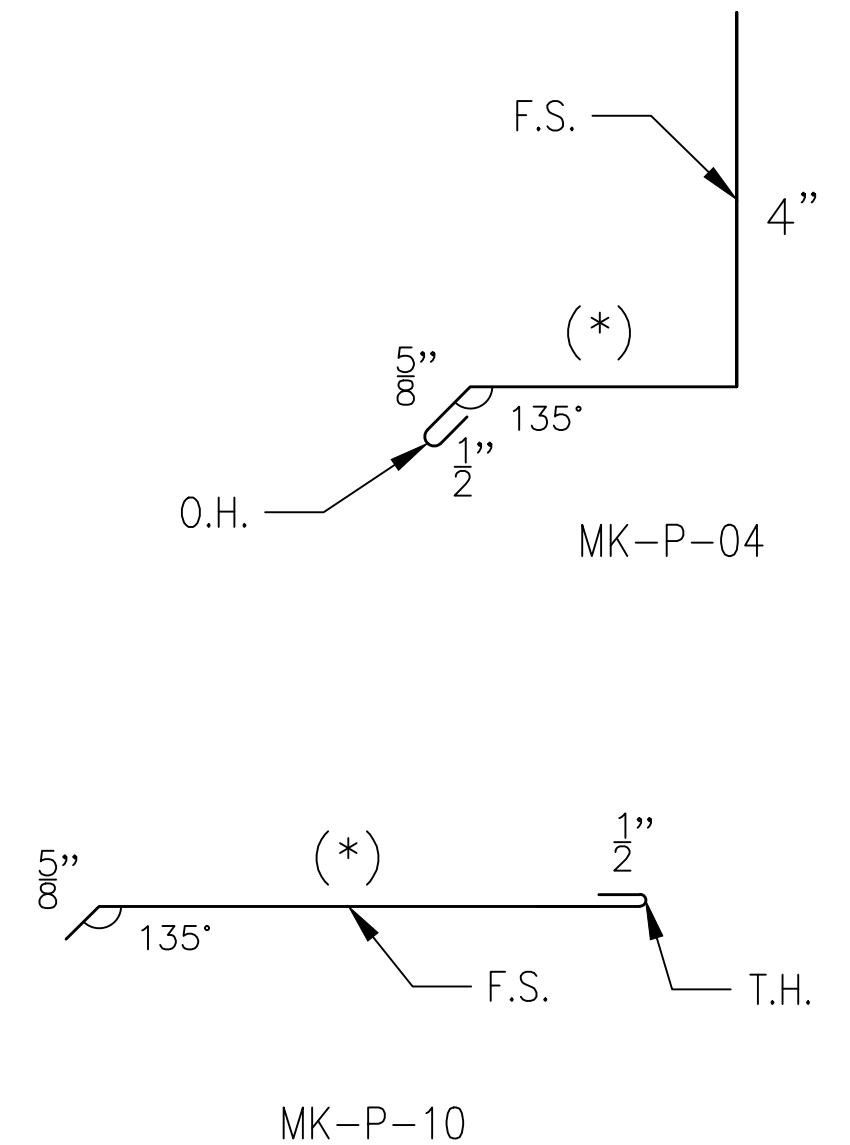
Front Soffit Detail

*SOFFIT PANELS PERPENDICULAR TO WALL PANELS

NOTE: (NBM) = NOT BY MORIN
(*) PER FIELD CONDITIONS

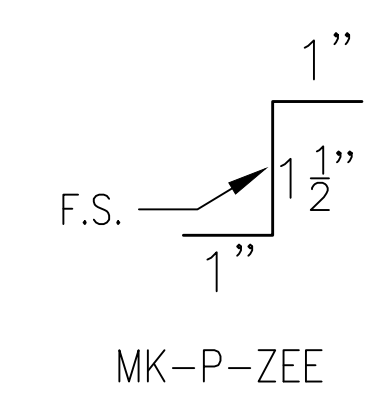
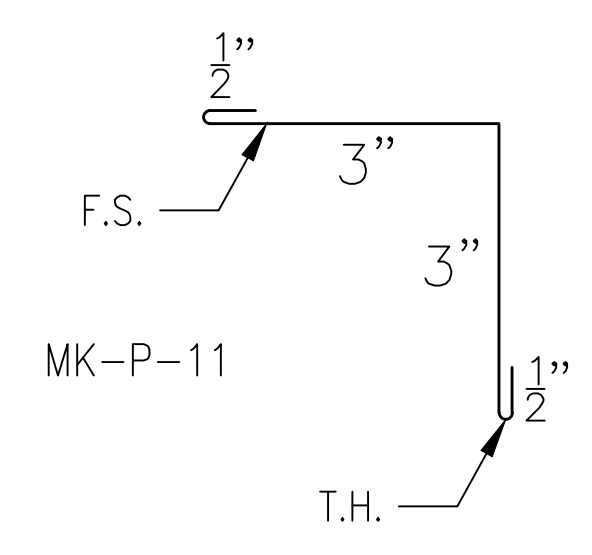
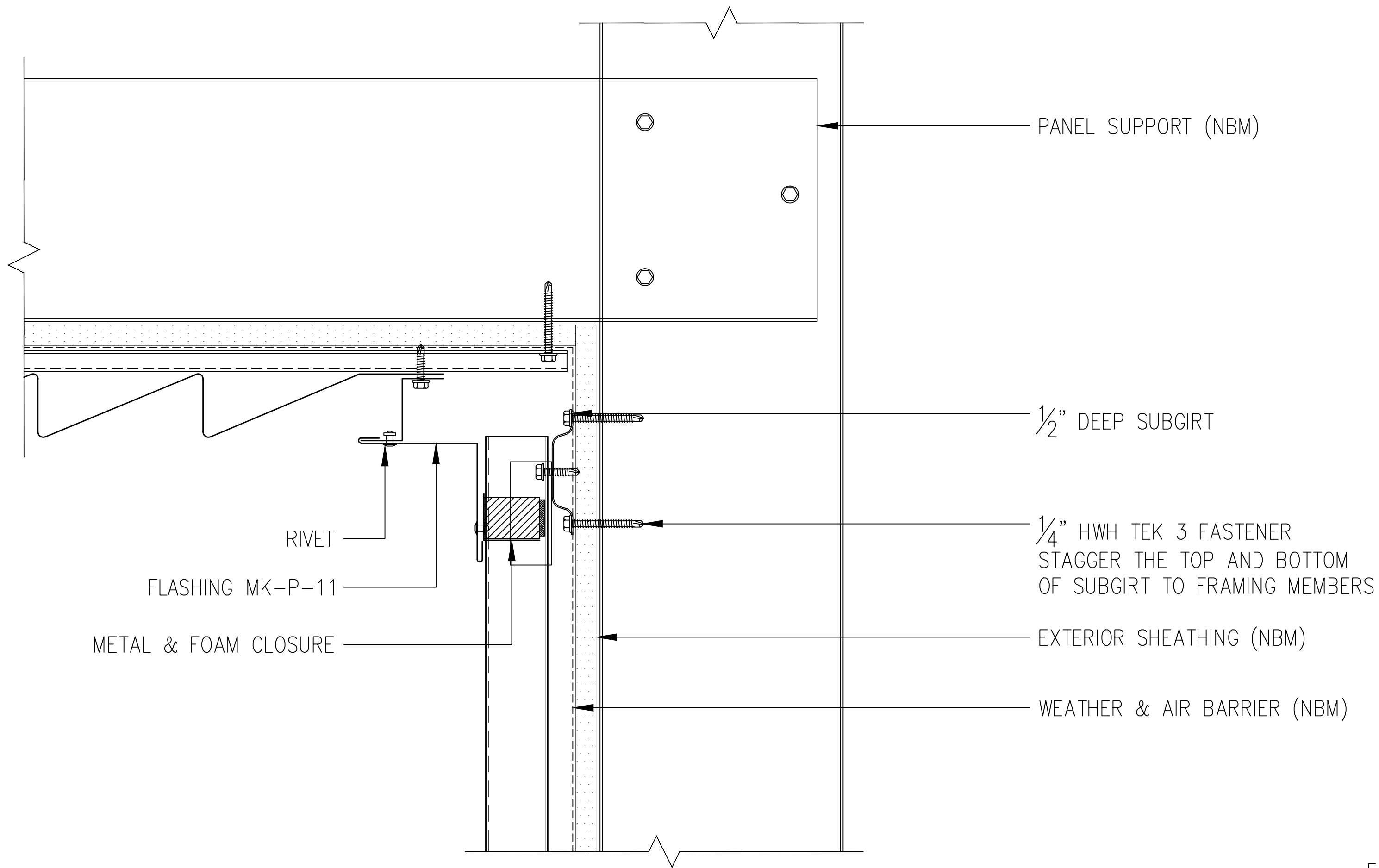


Front Soffit Detail



*SOFFIT PANELS PERPENDICULAR
TO WALL PANELS

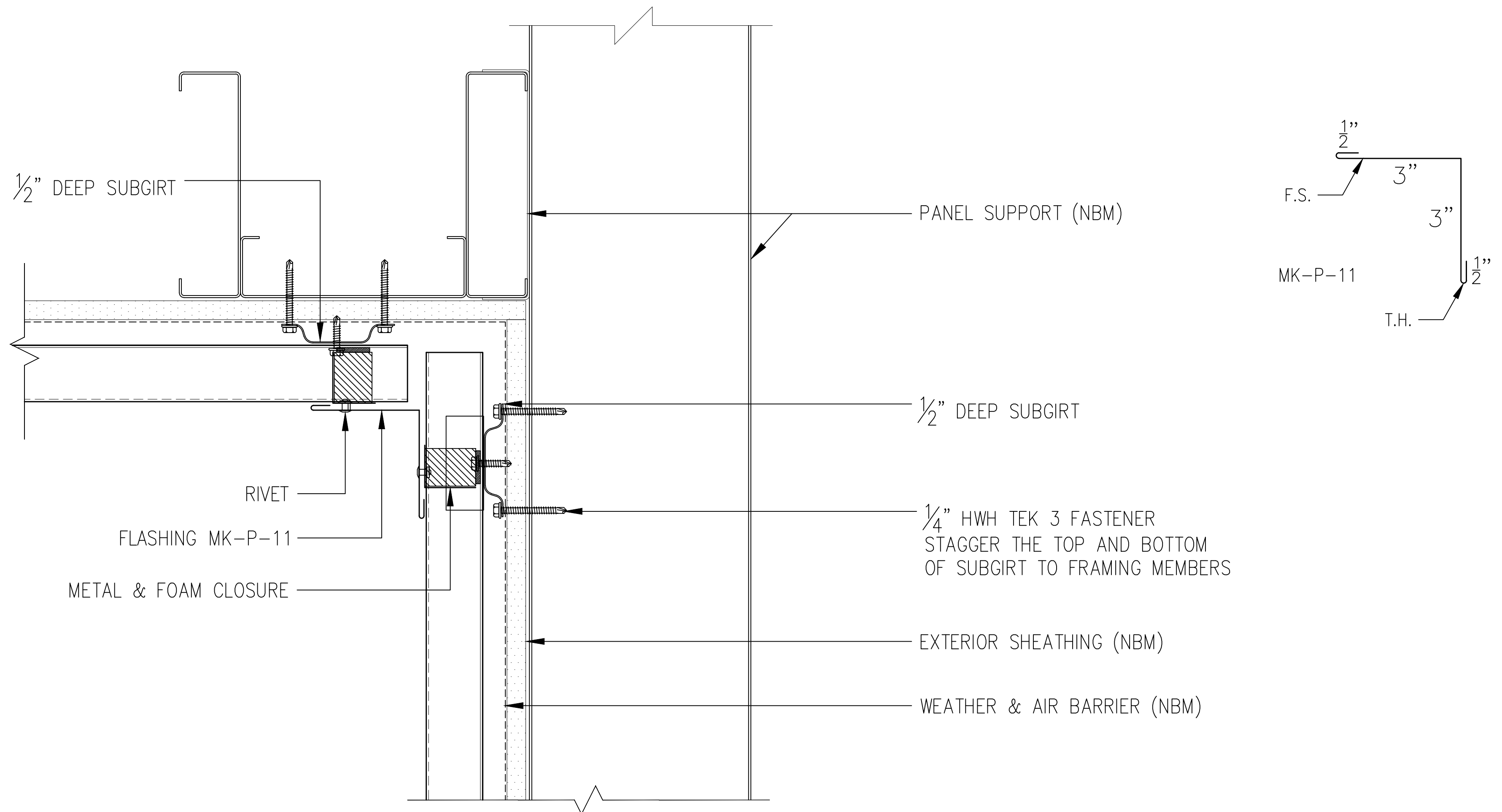
NOTE: (NBM) = NOT BY MORIN
(*) PER FIELD CONDITIONS



Back Soffit Detail

*SOFFIT PANELS PERPENDICULAR
TO WALL PANELS

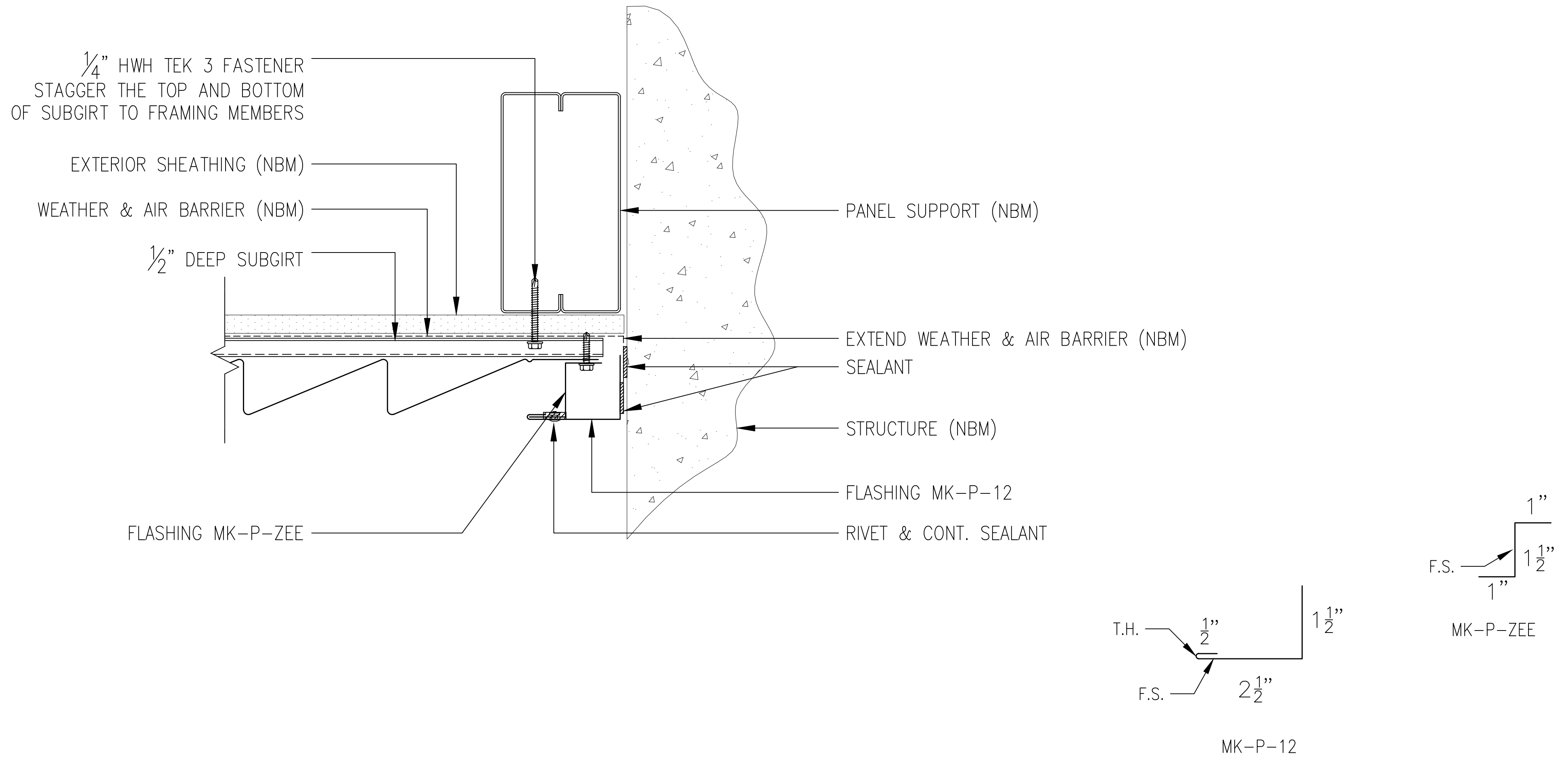
NOTE: (NBM) = NOT BY MORIN
(*) PER FIELD CONDITIONS



Back Soffit Detail

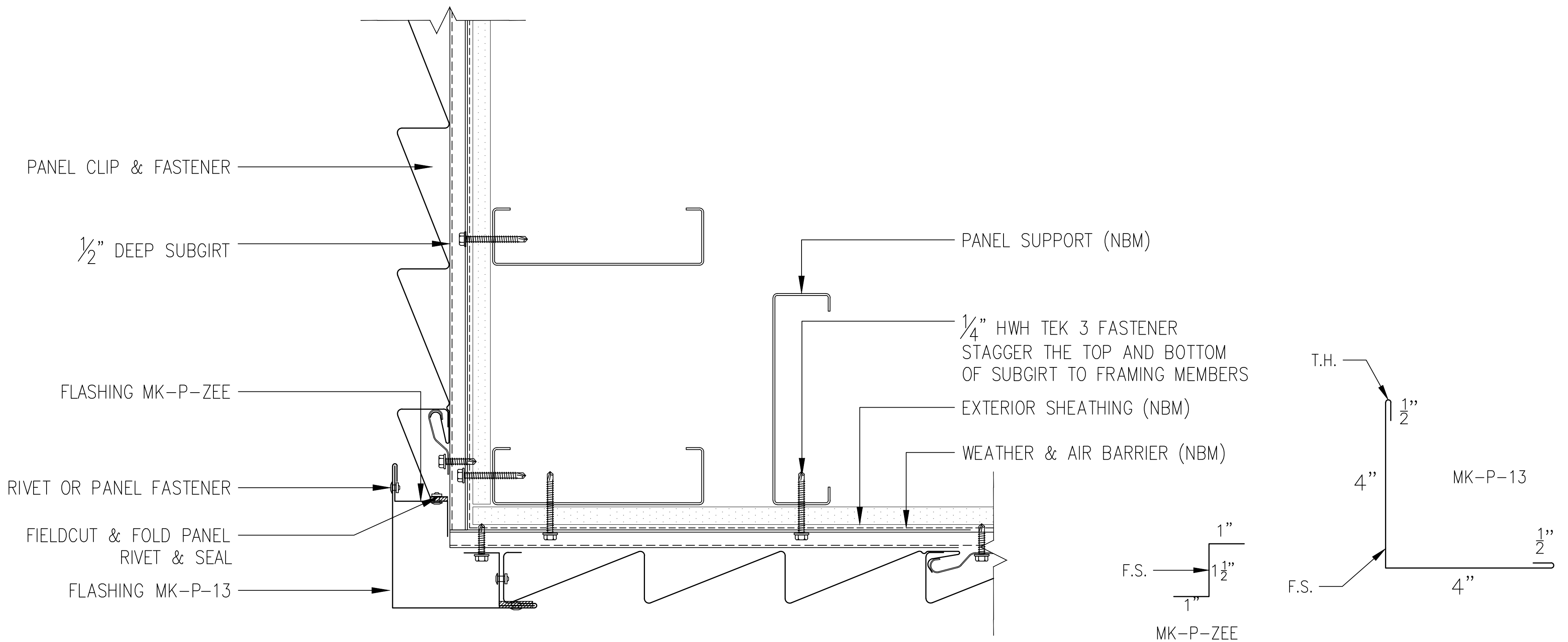
*SOFFIT PANELS PERPENDICULAR
TO WALL PANELS

NOTE: (NBM) = NOT BY MORIN
(*) PER FIELD CONDITIONS



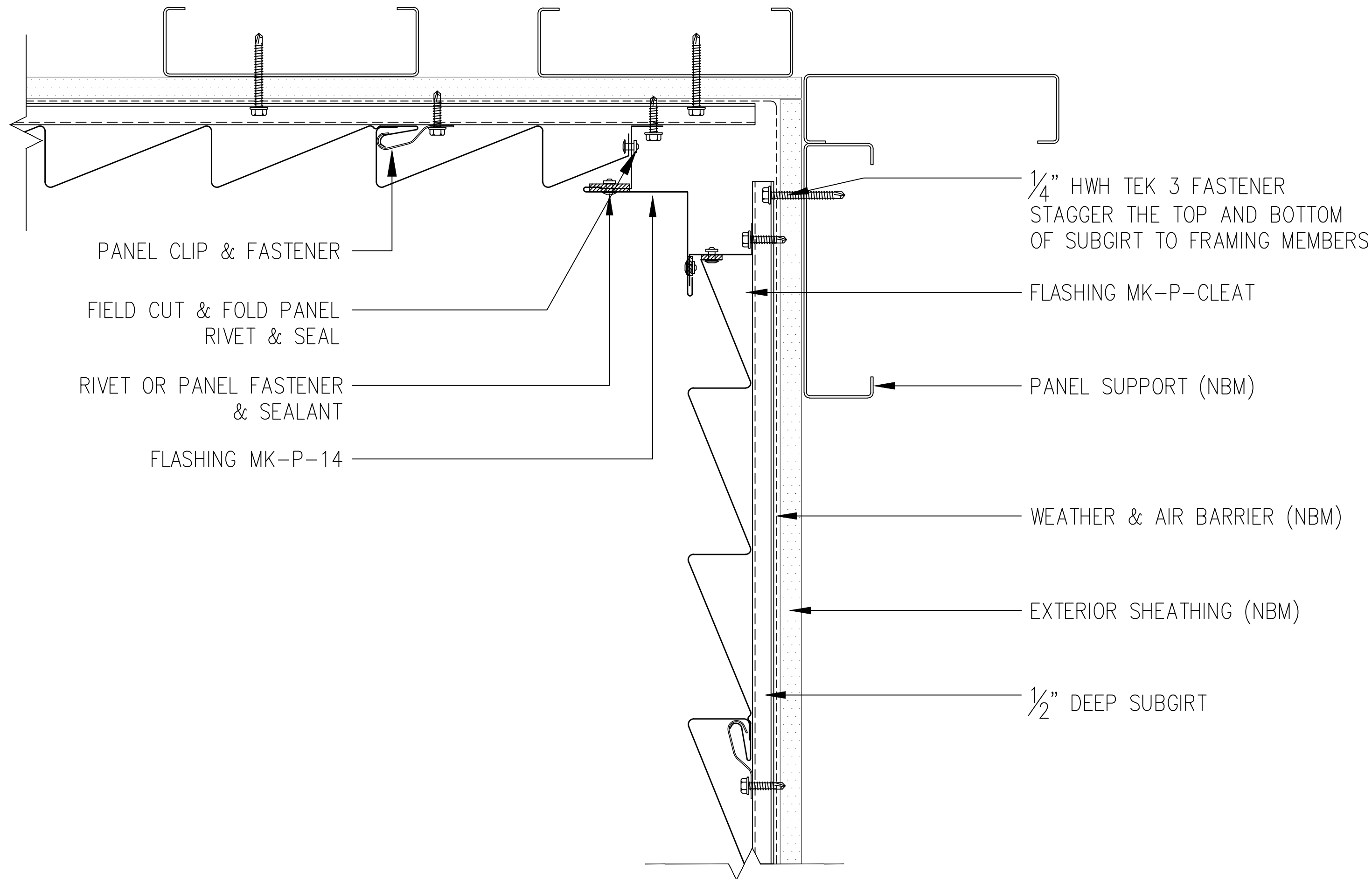
End Wall Detail

NOTE: (NBM) = NOT BY MORIN
(*) PER FIELD CONDITIONS

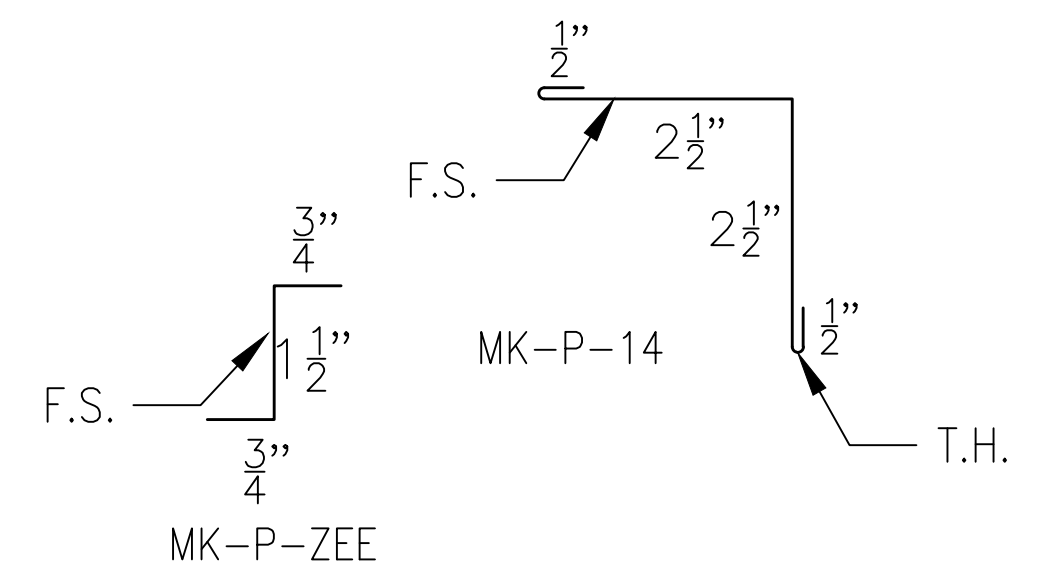


Outside Corner Detail

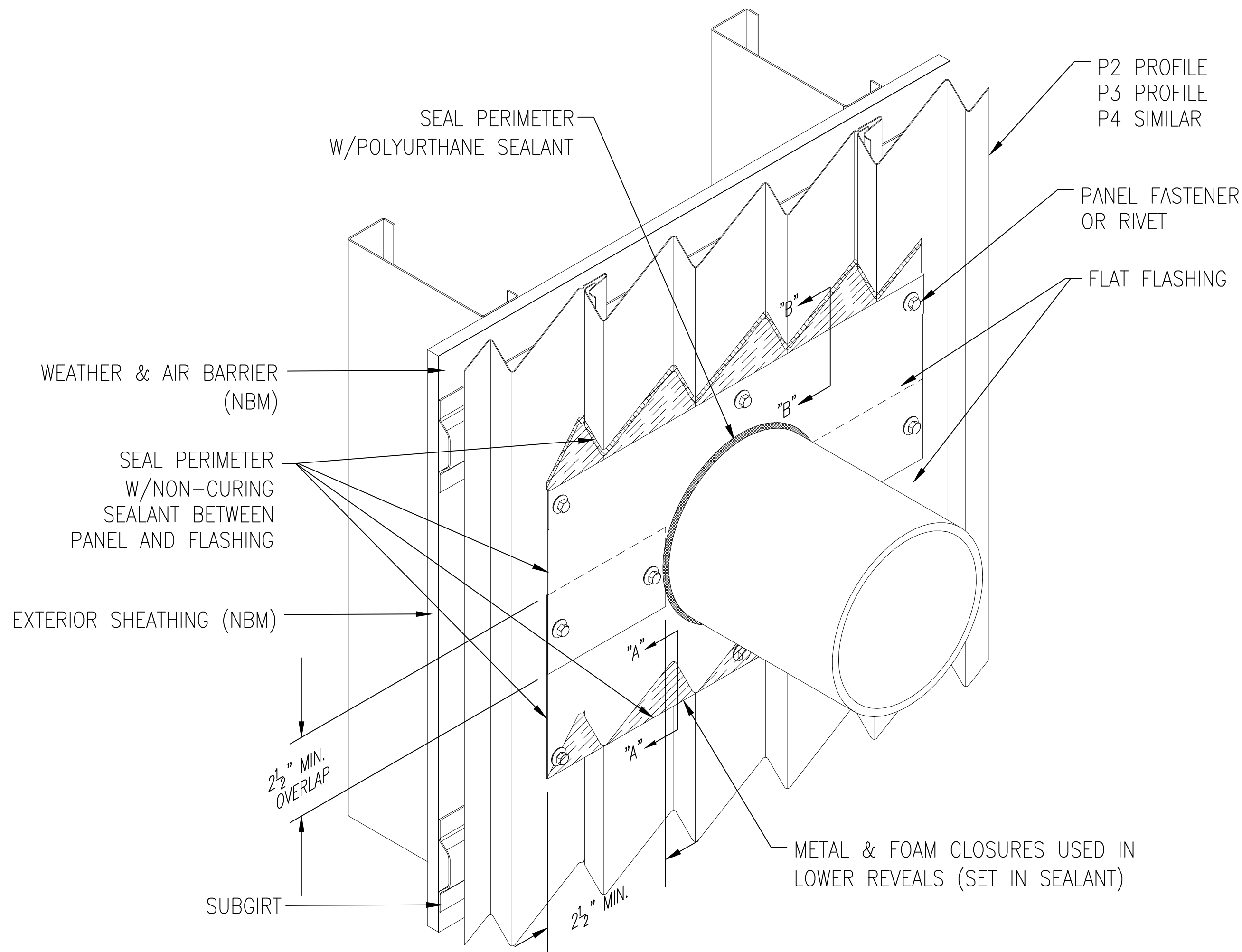
NOTE: (NBM) = NOT BY MORIN
 (*) PER FIELD CONDITIONS



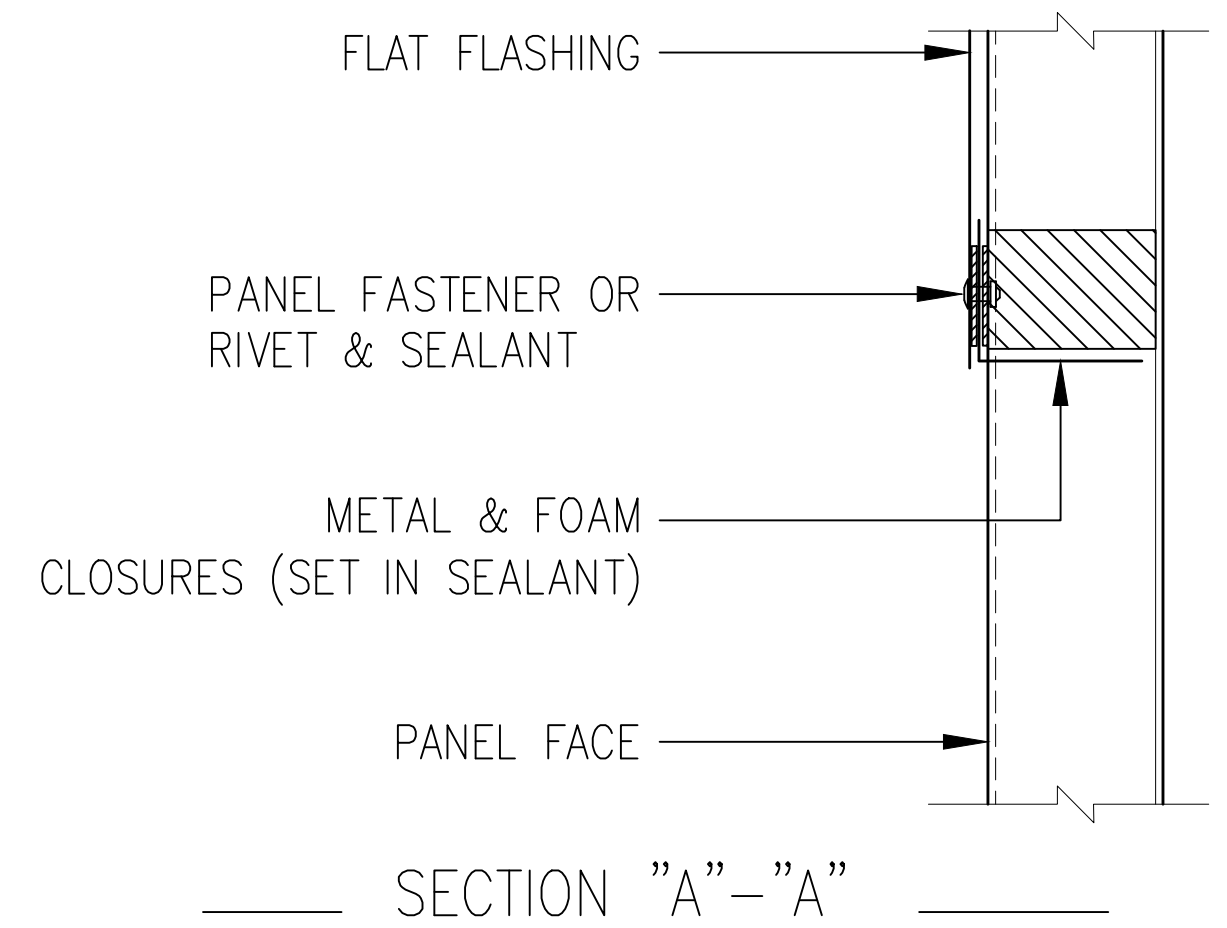
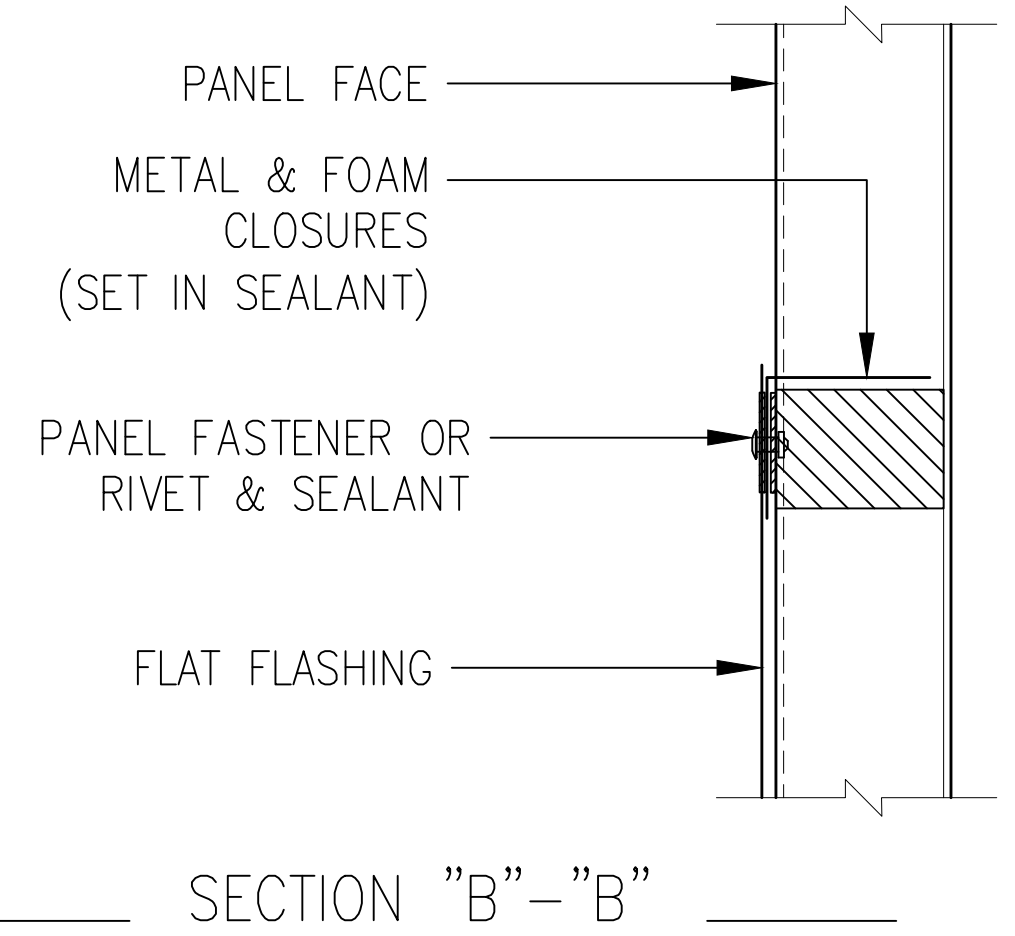
Inside Corner Detail



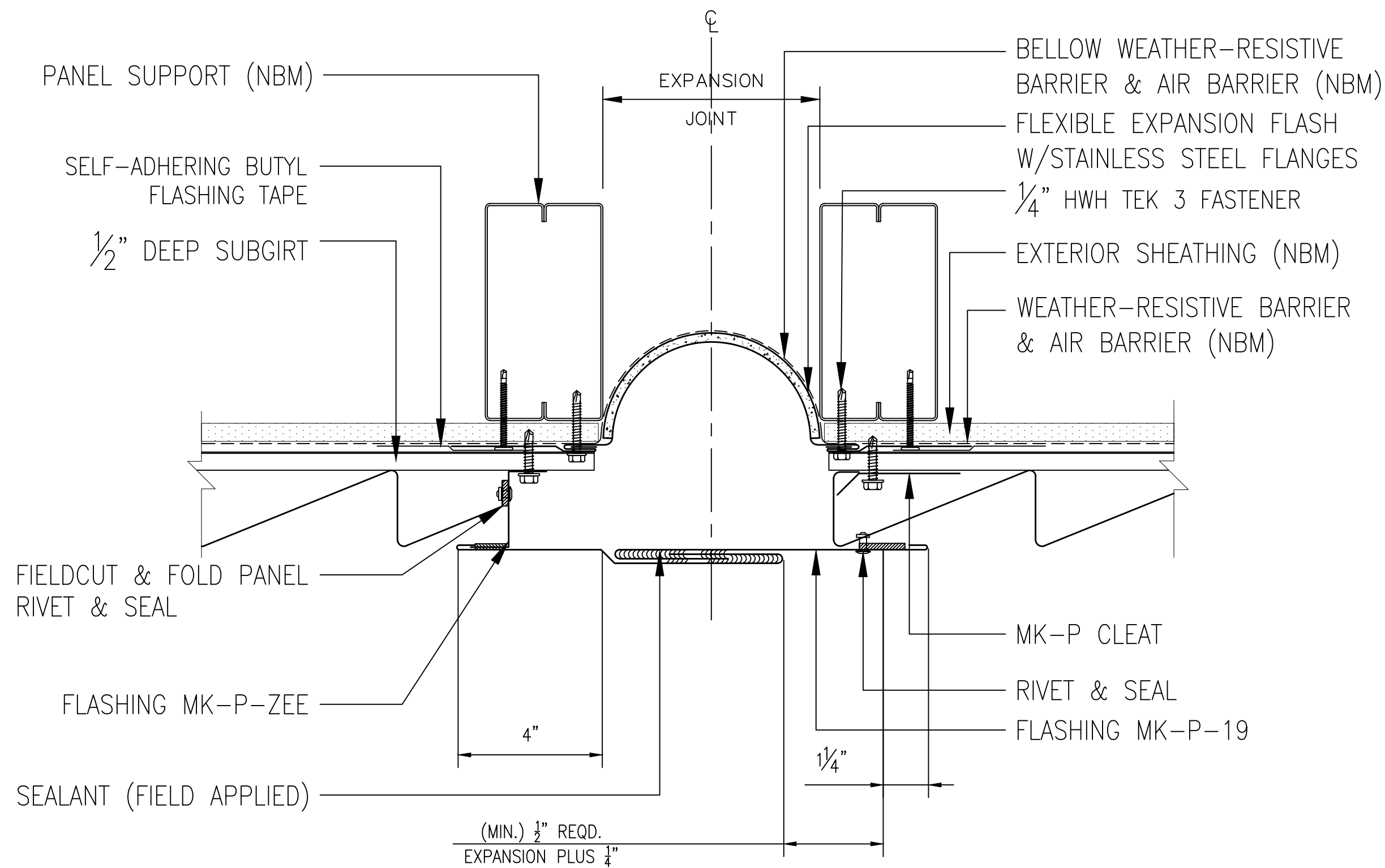
NOTE: (NBM) = NOT BY MORIN
 (*) PER FIELD CONDITIONS



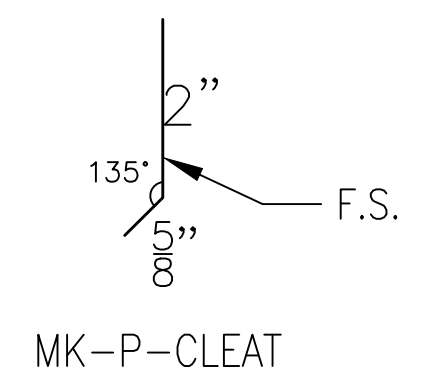
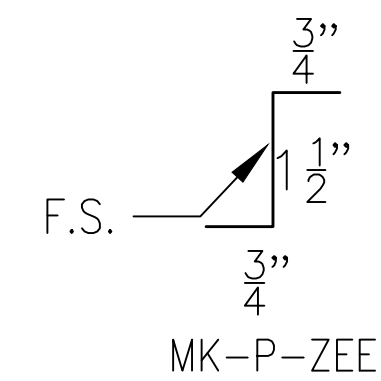
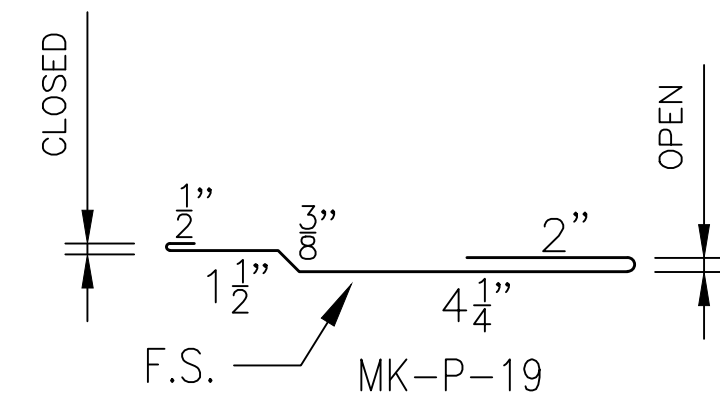
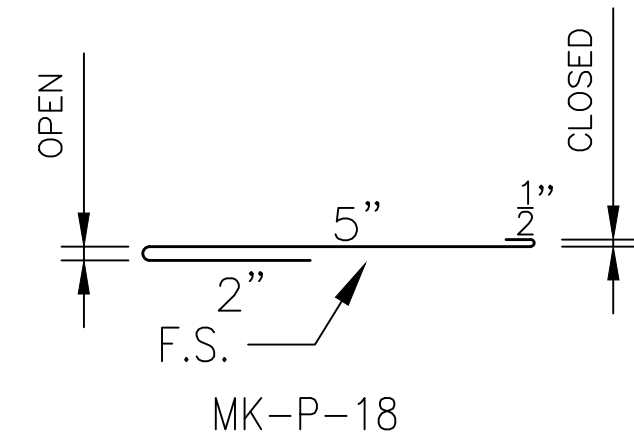
Penetration Detail



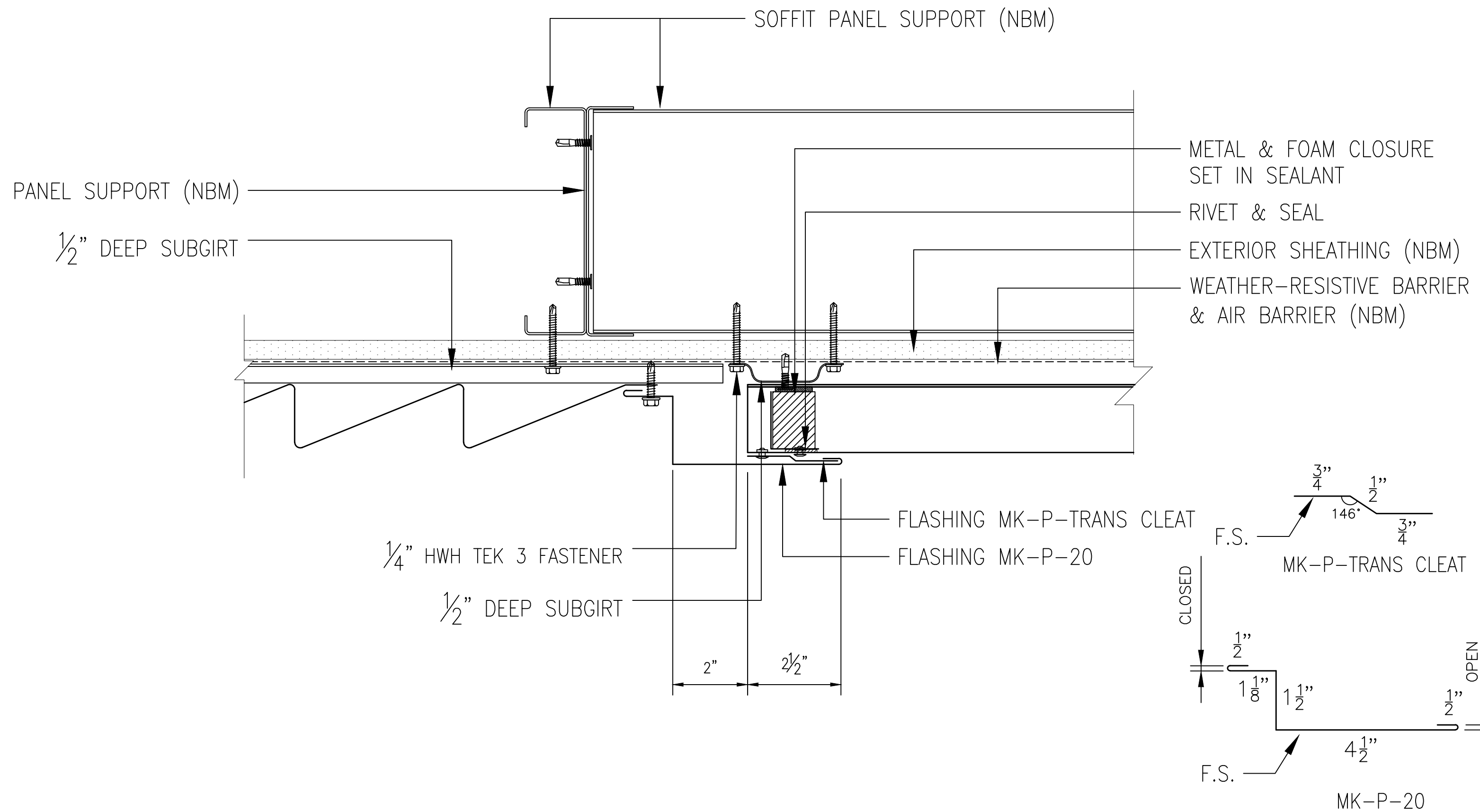
NOTE: (NBM) = NOT BY MORIN
(*) PER FIELD CONDITIONS



Expansion Detail



NOTE: (NBM) = NOT BY MORIN
(*) PER FIELD CONDITIONS



Transition Detail

NOTE: (NBM) = NOT BY MORIN
(*) PER FIELD CONDITIONS