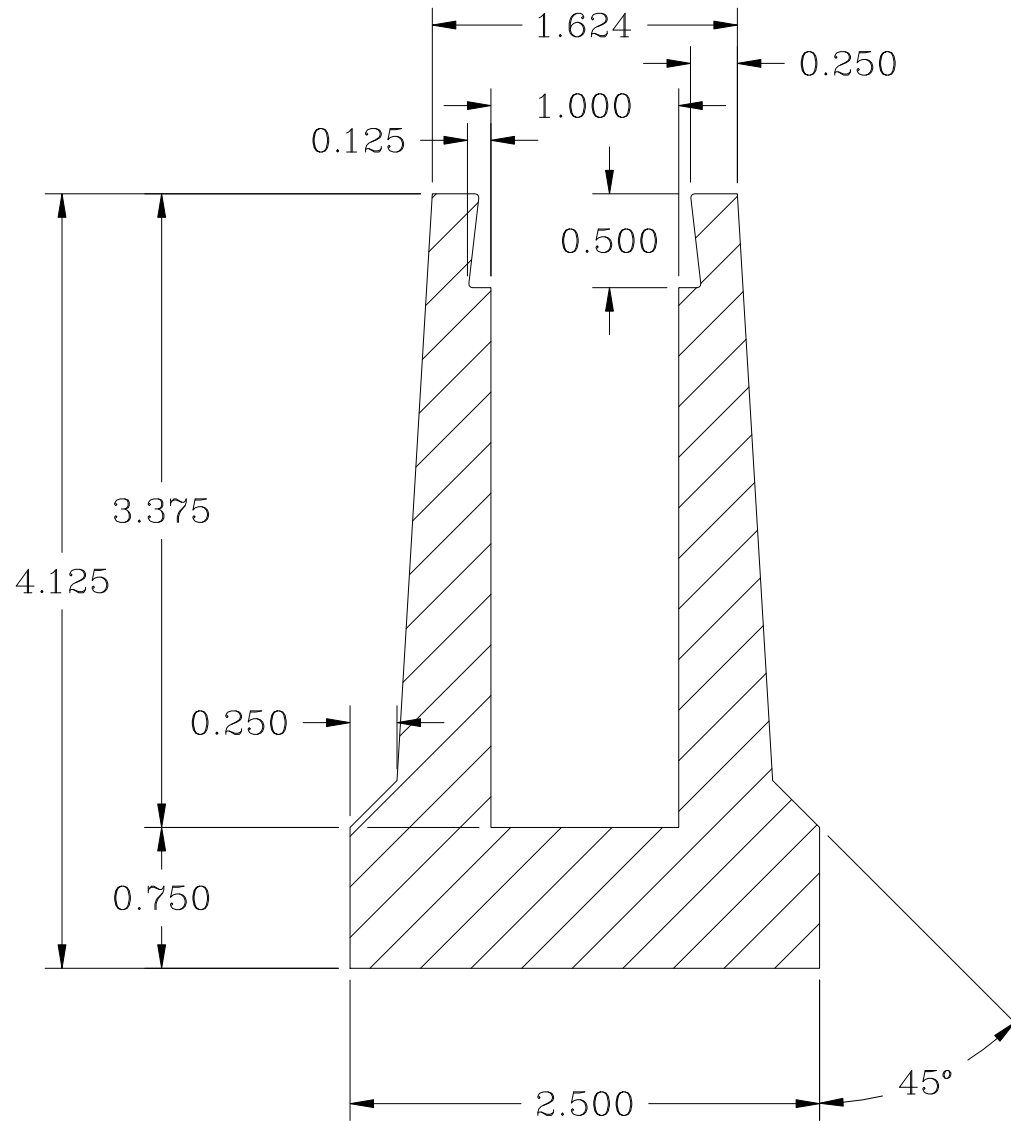


NOTES:

1. ALL OUTSIDE SURFACES EXPOSED



MORSE
INDUSTRIES
Working Solutions in Aluminum, Plastics and Stainless Steel

DR BY: ADAM FINCH	4/22/04	PART NUMBER: A42-0076	±1/64	FRACTION X.X X.XX X.XXX X.XXXX SUBTRACT 5 PTS. FOR EACH UNIT OF TOL. ANGLE ±1°
CUT LENGTH 12'		DESCRIPTION:	±0.1600	
FINISH	MILL ONLY	UNSPECIFIED CORNERS: 0.007	±0.0160	
AREA: 4.6340 INCH ²	WPF: 5.444 LB	ALLOY: 6063-T5	±0.0005	
		WALL: 0.000		

Telephone: (253) 852-1399
 Fax: (253) 520-9972
 www.morseindustries.com