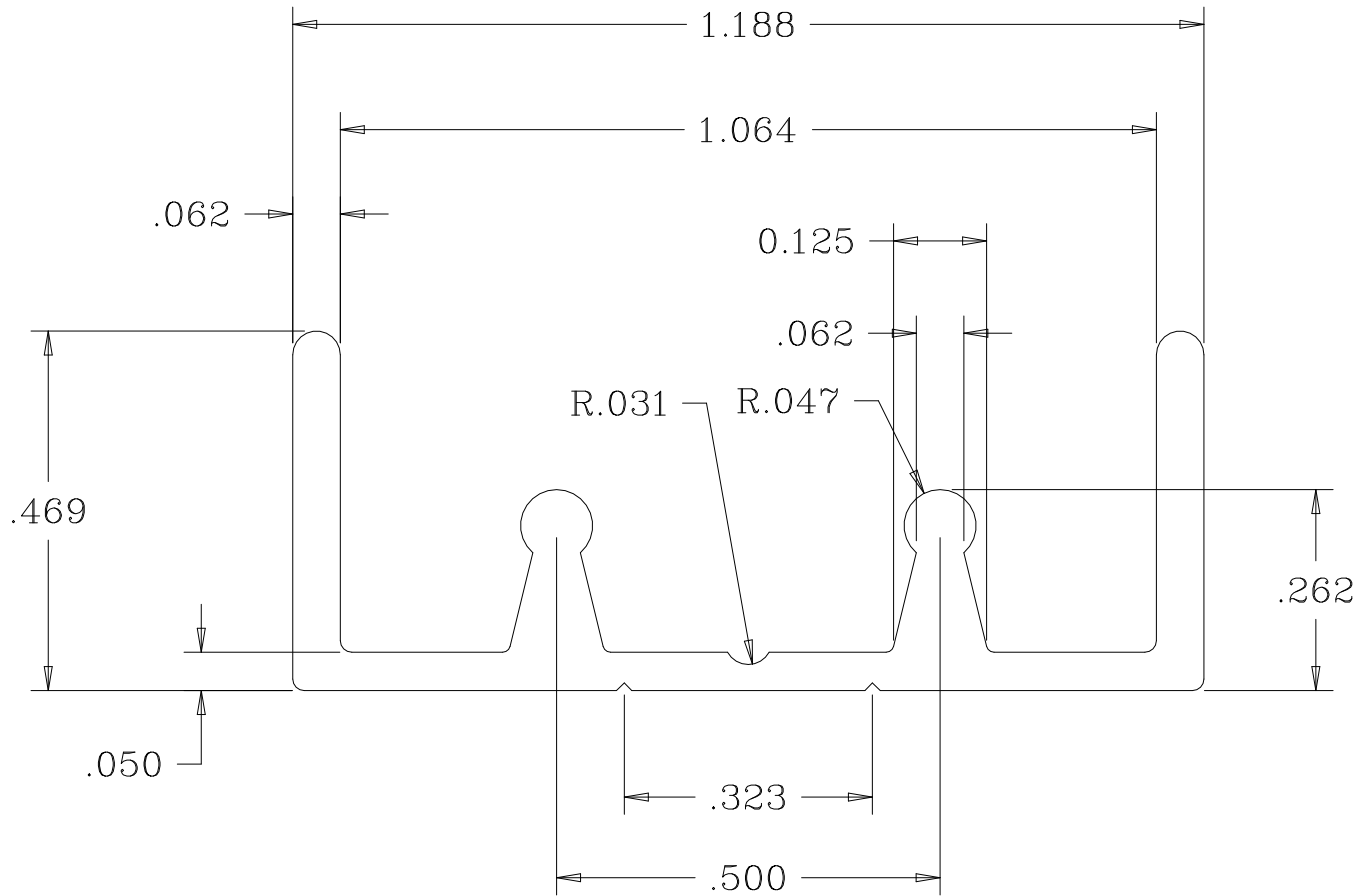
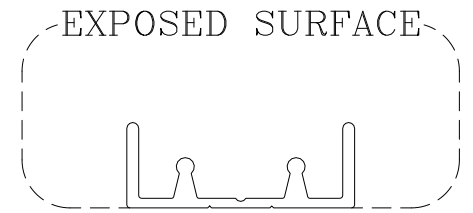


NOTE:



MiMORSE
INDUSTRIES
Working Solutions in Aluminum, Plastics and Stainless Steel

Telephone: (253) 852-1399
Fax: (253) 520-9972
www.morseindustries.com

DR BY: ADAM FINCH 6/05/03

LENGTH: (144") 12' +/- .063"

FINISH:

AREA: 0.1439 inch² WPF: 0.169lb

PART NUMBER: RFQ_5307

DESCRIPTION: A54-0067

UNSPECIFIED CORNERS: 0.010

ALLOY: 6463-T5 WALL: 0.050

±1/64	FRACTION
	X.X
±0.0100	X.XX
±0.0160	X.XXX
±0.0005	X.XXXX
SUBTRACT 5 PTS. FOR EACH UNIT OF TOL. ANGLE ±1°	