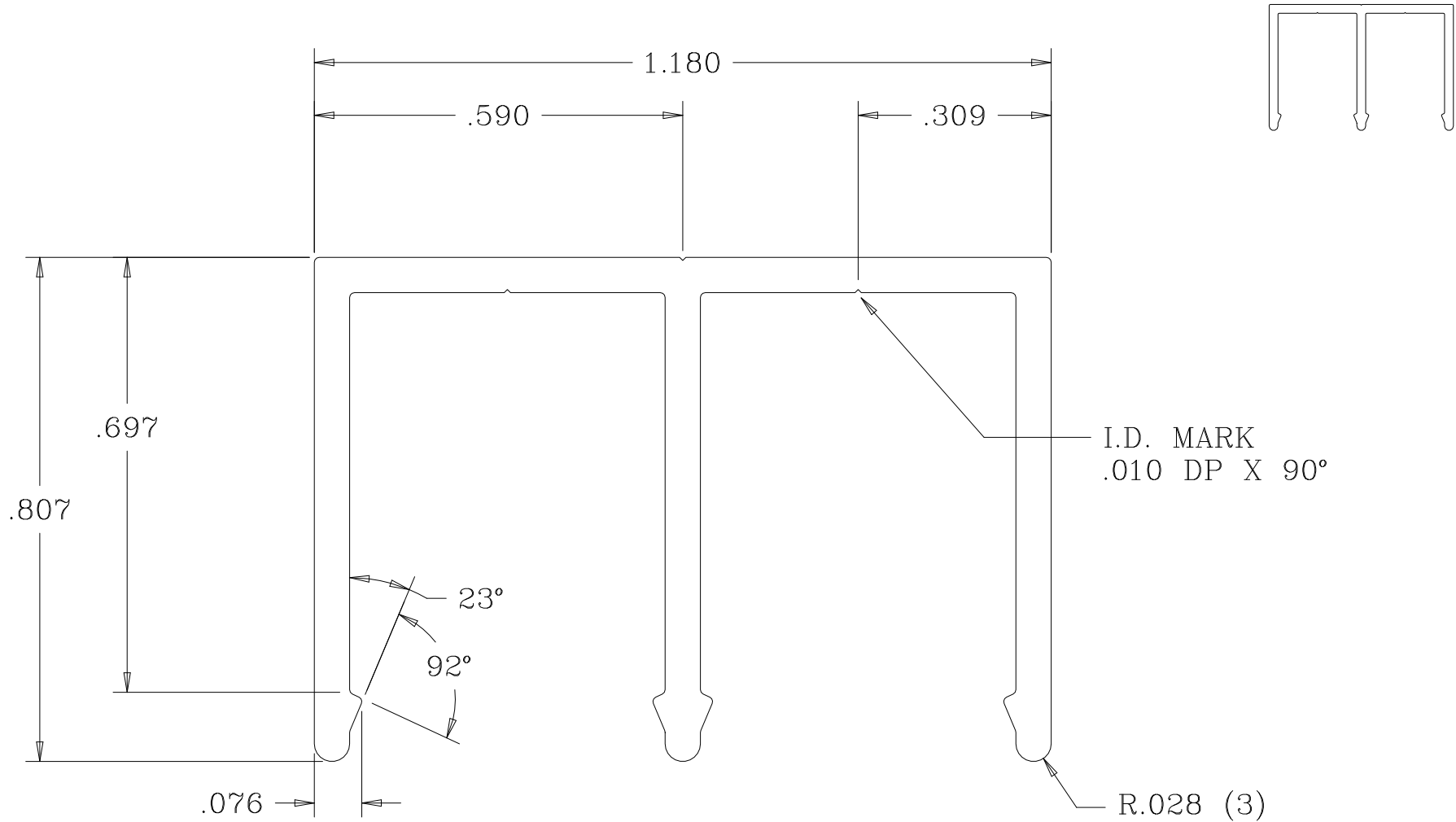


NOTE:



MORSE
INDUSTRIES
Working Solutions in Aluminum, Plastics and Stainless Steel

Telephone: (253) 852-1399
Fax: (253) 520-9972
www.morseindustries.com

DR BY: ADAM FINCH 3/17/03

CUT LENGTH: (144") 12' +/- .063"

FINISH: VEL ; BZM ; BZD ; BLY

AREA: 0.1956 inch² | WPF: 0.2301b

PART NUMBER: A54-0372

DIE: 002341 | RFQ: 0804

UNSPECIFIED CORNERS: 0.007

ALLOY: 6463-T5 | WALL: 0.056

±1/64

±0.0100

±0.0010

±0.0005

FRACTION
X.X

X.XX

X.XXX

X.XXXX

SUBTRACT 5 PTS. FOR EACH
UNIT OF TOL.
ANGLE ±1°