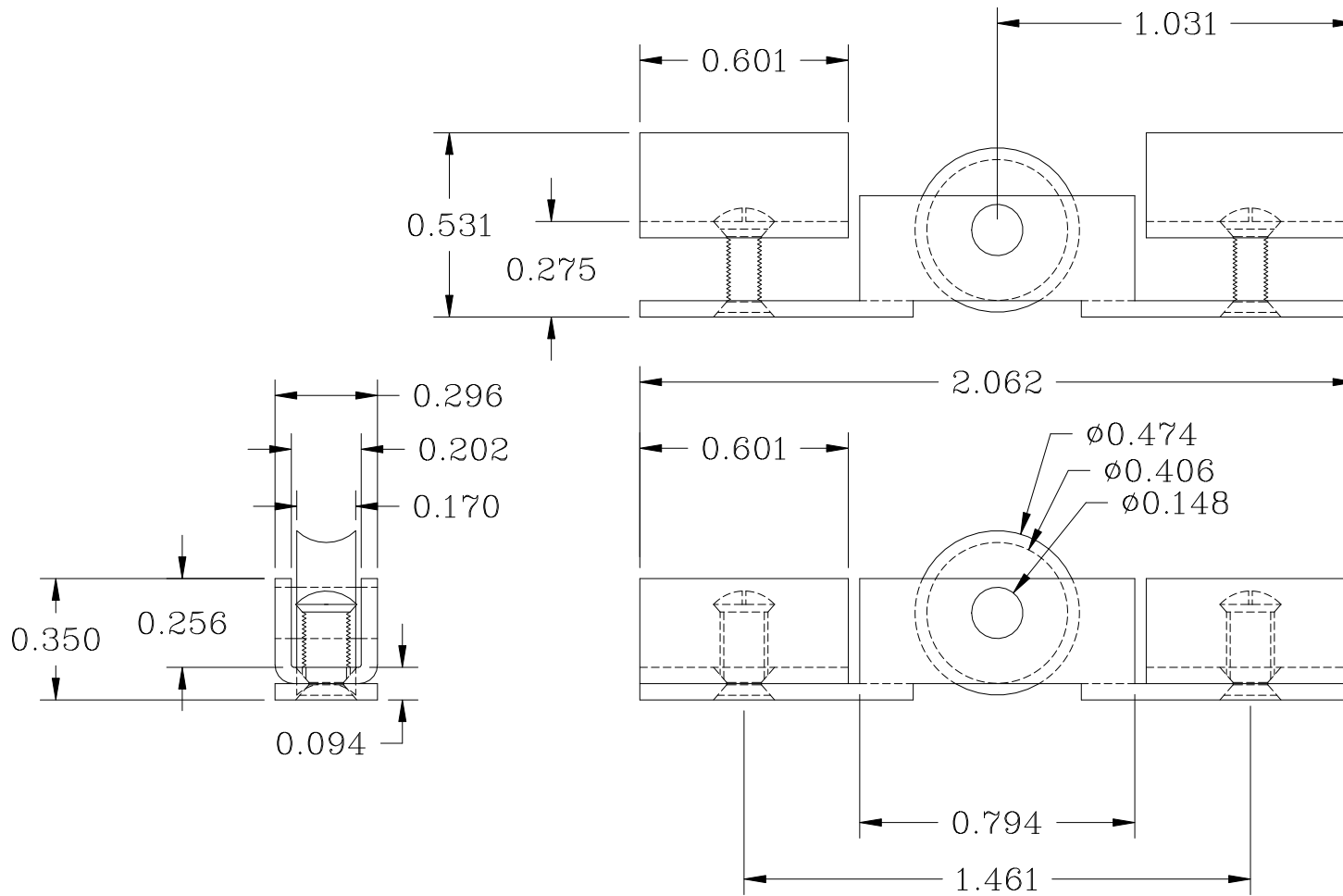


NOTES:



MORSE
INDUSTRIES
Working Solutions in Aluminum, Plastics and Stainless Steel

Telephone: (253) 852-1399
Fax: (253) 520-9972
www.morseindustries.com

DR BY: ADAM FINCH 3/20/03

PART NUMBER: F93-2050

CUT LENGTH

DESCRIPTION:

FINISH:

UNSPECIFIED CORNERS 0.007

AREA: inch²

WPF: lb

ALLOY:

WALL: 0.000

±1/64	FRACTION
±0.0100	X.X
±0.0010	X.XX
±0.0005	X.XXX
	X.XXXX
SUBTRACT 5 PTS. FOR EACH UNIT OF TOL. ANGLE ±1°	