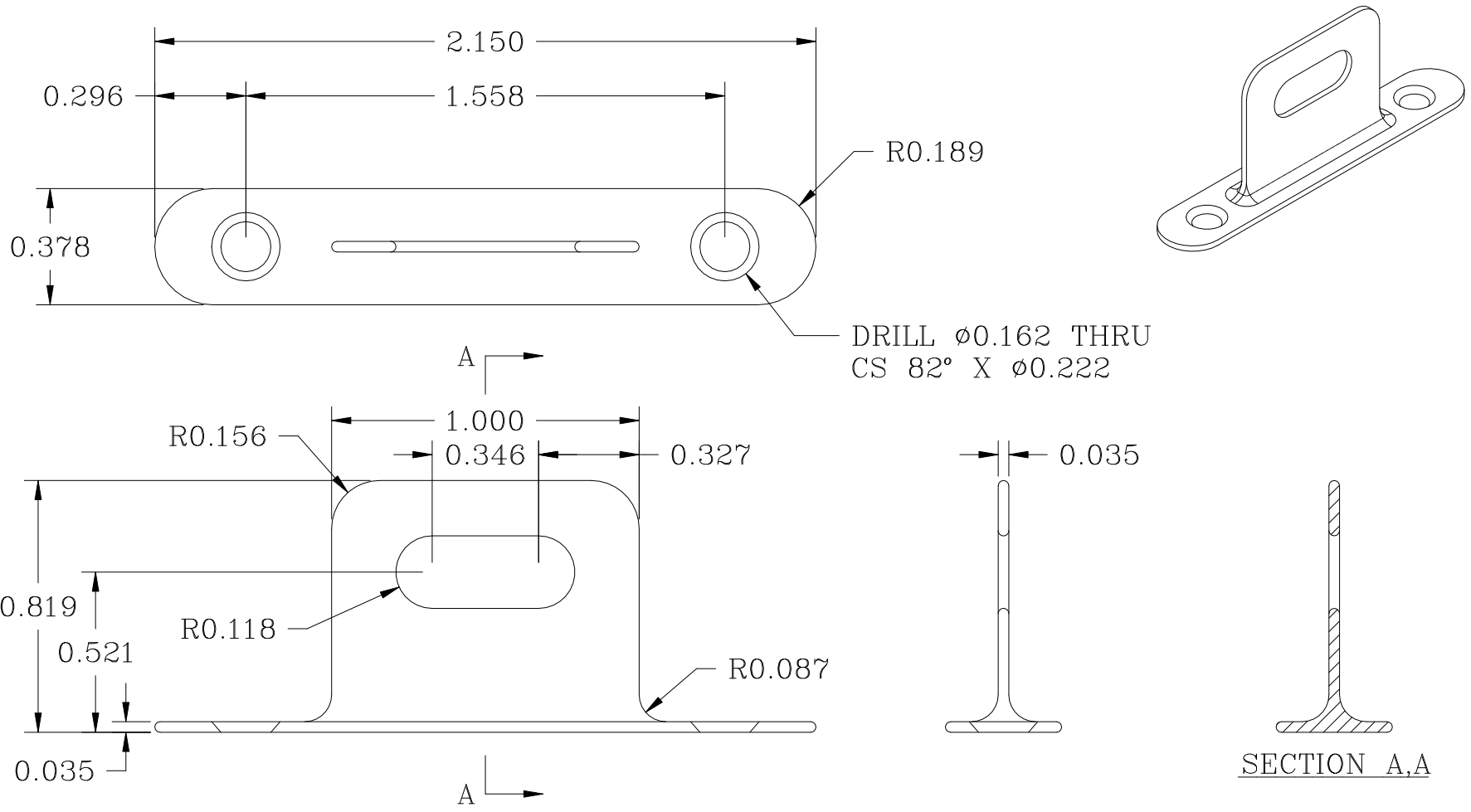


NOTES:



MORSE
INDUSTRIES
Working Solutions in Aluminum, Plastics and Stainless Steel

Telephone: (253) 852-1399
Fax: (253) 520-9972
www.morseindustries.com

DR BY: ADAM FINCH	3/18/03	PART NUMBER: F93-6306	$\pm 1/64$	FRACTION X.X X.XX X.XXX X.XXXX
CUT LENGTH		DESCRIPTION:	± 0.0100	
FINISH:		UNSPECIFIED CORNERS 0.007	± 0.0010 ± 0.0005	
AREA: inch ²	WPF: lb	ALLOY:	WALL: 0.000	SUBTRACT 5 PTS. FOR EACH UNIT OF TOL. ANGLE $\pm 1^\circ$