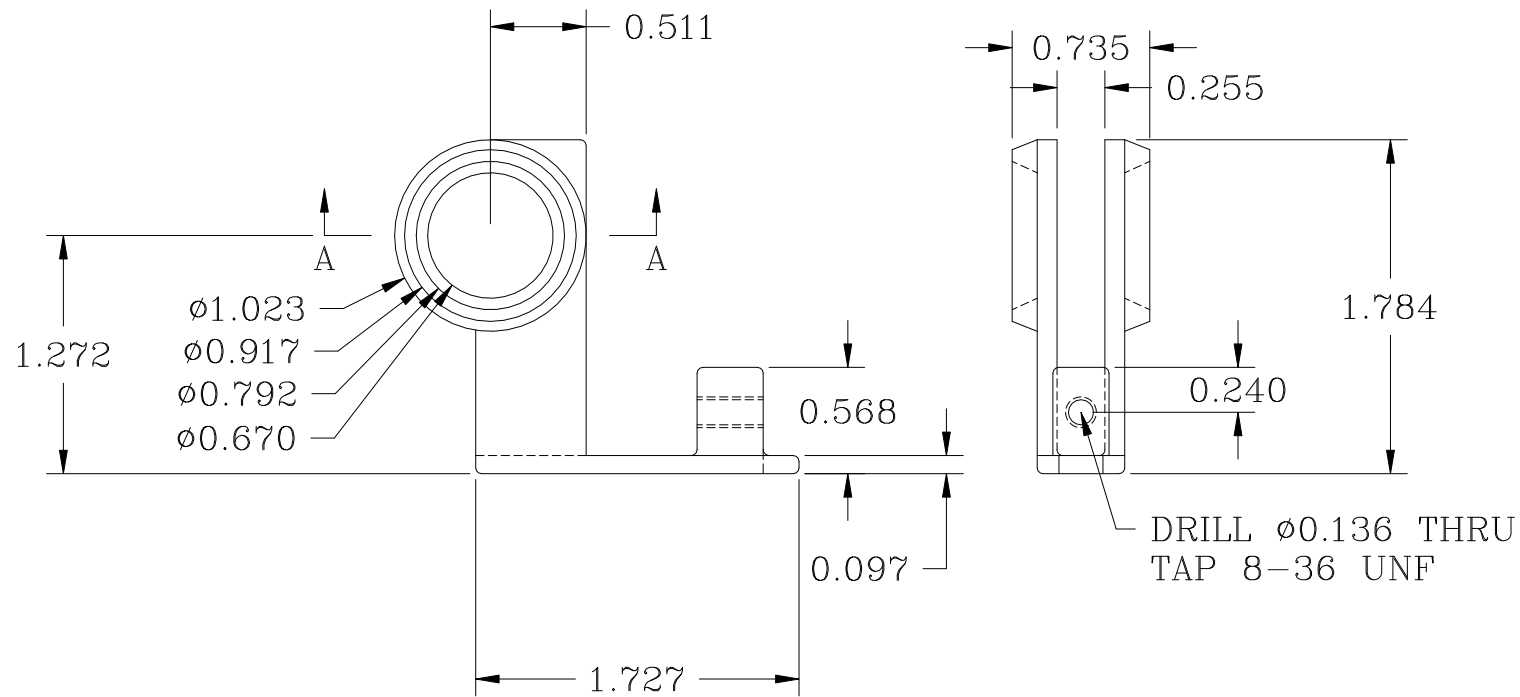
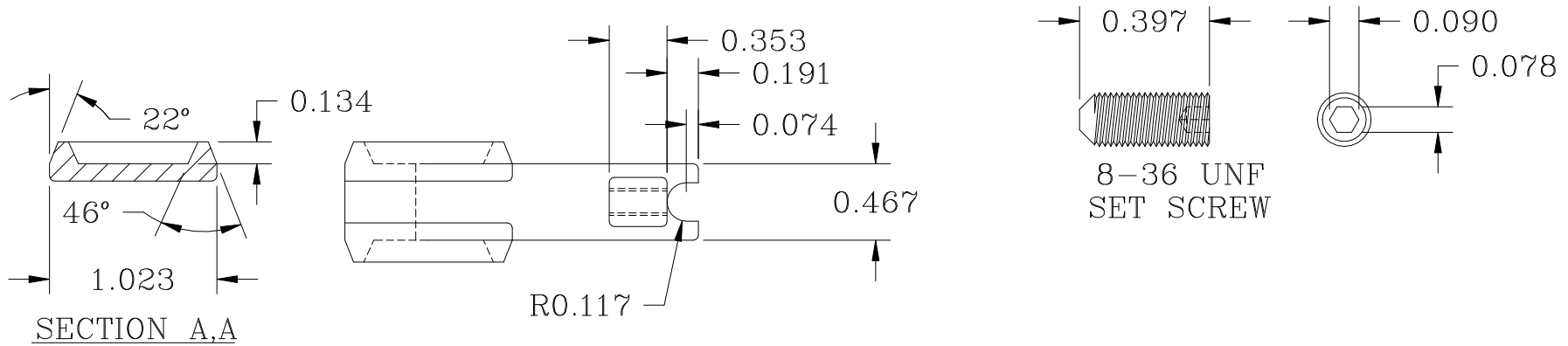


NOTES:



Telephone: (253) 852-1399  
 Fax: (253) 520-9972  
 www.morseindustries.com

DR BY: ADAM FINCH 3/19/03

CUT LENGTH

FINISH:

AREA: inch<sup>2</sup> WPF: lb

PART NUMBER: F93-8575

DESCRIPTION:

UNSPECIFIED CORNERS 0.007

ALLOY: BRONZE WALL: 0.000

$\pm 1/64$	FRACTION
$\pm 0.0100$	X.X
$\pm 0.0010$	X.XX
$\pm 0.0005$	X.XXX
	X.XXXX
SUBTRACT 5 PTS. FOR EACH UNIT OF TOL. ANGLE $\pm 1^\circ$	