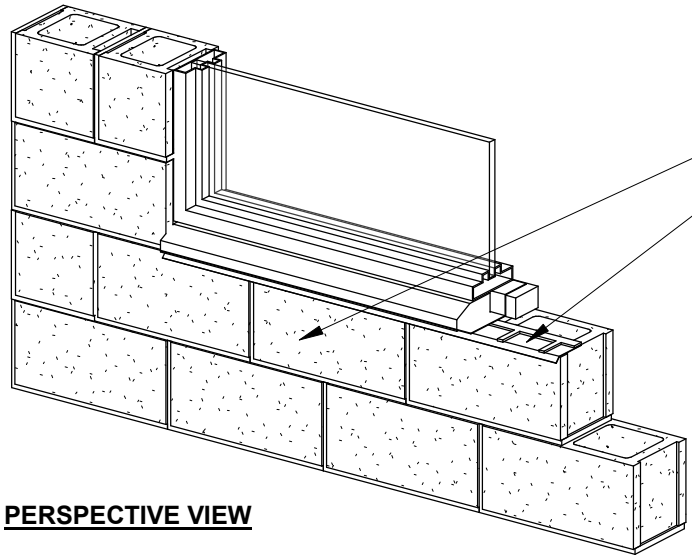


**SINGLE-WYTHE
MASONRY LINTEL**

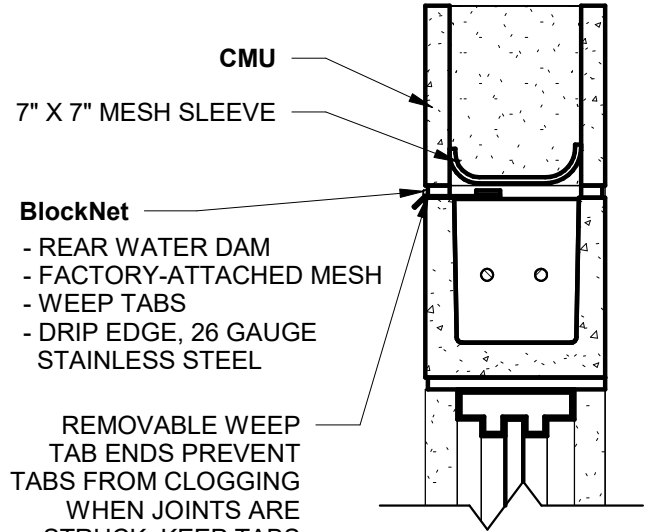
- CMU
- 7" x 7" MESH SLEEVE
- BlockNet**
 - REAR WATER DAM
 - FACTORY-ATTACHED MESH
 - WEEP TABS
 - DRIP EDGE, 26 GAUGE STAINLESS STEEL
- REMOVABLE WEEP TAB ENDS PREVENT TABS FROM CLOGGING WHEN JOINTS ARE STRUCK, KEEP TABS FLUSH WITH THE WALL AND CREATE A SMOOTH APPEARANCE



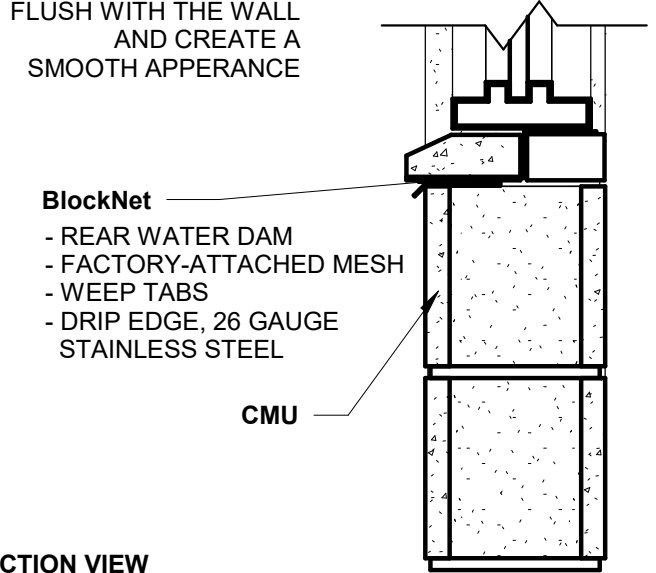
SINGLE-WYTHE SILL

- CMU
- BlockNet**
 - REAR WATER DAM
 - FACTORY-ATTACHED MESH
 - WEEP TABS
 - DRIP EDGE, 26 GAUGE STAINLESS STEEL

PERSPECTIVE VIEW



- CMU
- 7" X 7" MESH SLEEVE
- BlockNet**
 - REAR WATER DAM
 - FACTORY-ATTACHED MESH
 - WEEP TABS
 - DRIP EDGE, 26 GAUGE STAINLESS STEEL
- REMOVABLE WEEP TAB ENDS PREVENT TABS FROM CLOGGING WHEN JOINTS ARE STRUCK, KEEP TABS FLUSH WITH THE WALL AND CREATE A SMOOTH APPEARANCE



- BlockNet**
 - REAR WATER DAM
 - FACTORY-ATTACHED MESH
 - WEEP TABS
 - DRIP EDGE, 26 GAUGE STAINLESS STEEL
- CMU

SECTION VIEW



Moisture Management for Masonry

326 Melton Rd., Burns Harbor, IN 46304
P 800 664 6638 F 219 787 5088
www.mortarnet.com



WINDOW HEAD AND SILL DETAIL