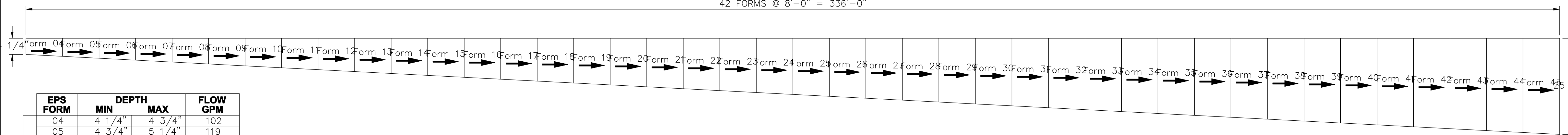


42 FORMS @ 8'-0" = 336'-0"

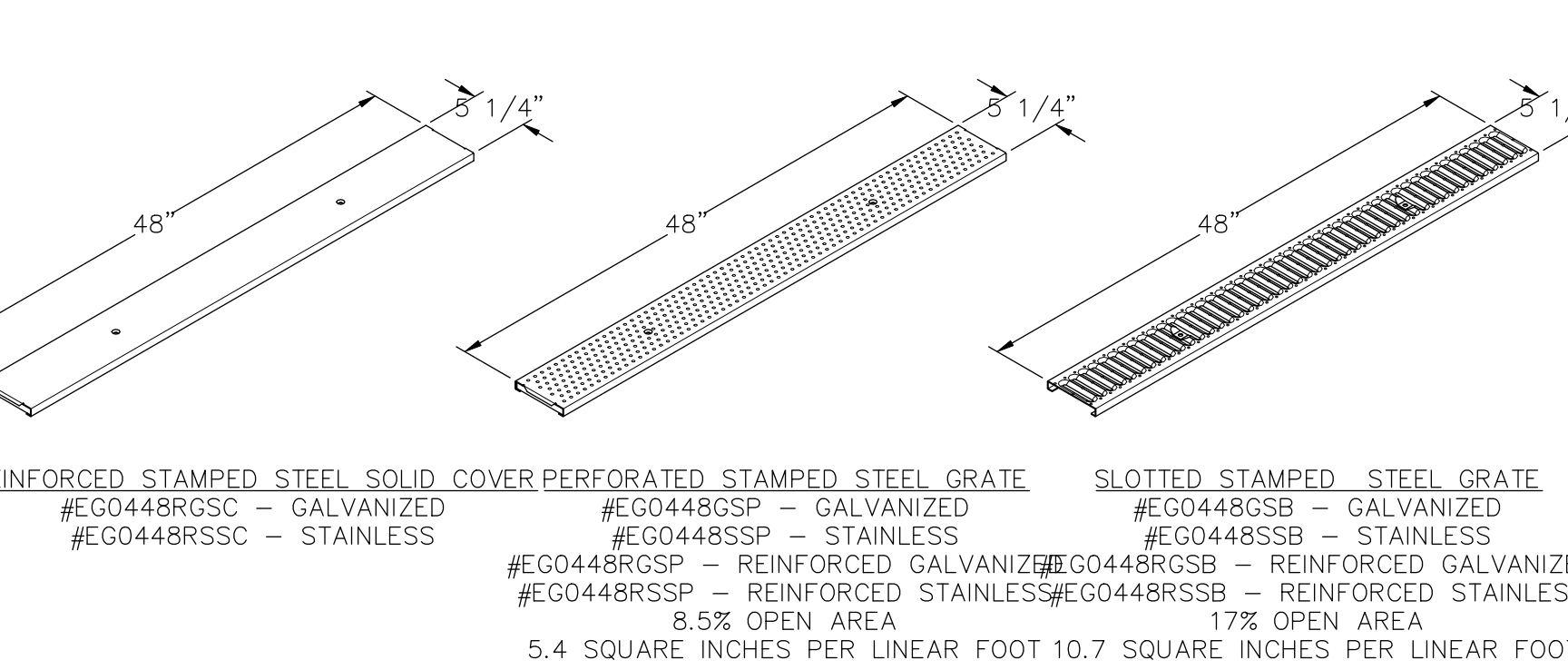
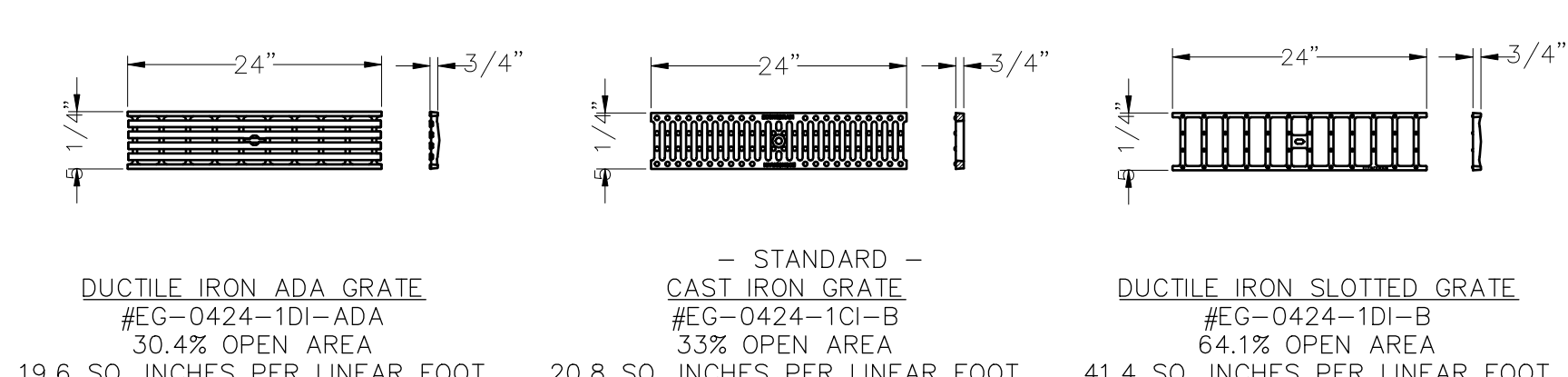


EPS FORM	DEPTH		FLOW GPM
	MIN	MAX	
04	4 1/4"	4 3/4"	102
05	4 3/4"	5 1/4"	119
06	5 1/4"	5 3/4"	137
07	5 3/4"	6 1/4"	156
08	6 1/4"	6 3/4"	174
09	6 3/4"	7 1/4"	192
10	7 1/4"	7 3/4"	211
11	7 3/4"	8 1/4"	229
12	8 1/4"	8 3/4"	248
13	8 3/4"	9 1/4"	266
14	9 1/4"	9 3/4"	285
15	9 3/4"	10 1/4"	303
16	10 1/4"	10 3/4"	322
17	10 3/4"	11 1/4"	341
18	11 1/4"	11 3/4"	359
19	11 3/4"	12 1/4"	378
20	12 1/4"	12 3/4"	397
21	12 3/4"	13 1/4"	416
22	13 1/4"	13 3/4"	434
23	13 3/4"	14 1/4"	453
24	14 1/4"	14 3/4"	472
25	14 3/4"	15 1/4"	491
26	15 1/4"	15 3/4"	510
27	15 3/4"	16 1/4"	528
28	16 1/4"	16 3/4"	547
29	16 3/4"	17 1/4"	566
30	17 1/4"	17 3/4"	585
31	17 3/4"	18 1/4"	604
32	18 1/4"	18 3/4"	623
33	18 3/4"	19 1/4"	642
34	19 1/4"	19 3/4"	660
35	19 3/4"	20 1/4"	679
36	20 1/4"	20 3/4"	698
37	20 3/4"	21 1/4"	717
38	21 1/4"	21 3/4"	736
39	21 3/4"	22 1/4"	755
40	22 1/4"	22 3/4"	774
41	22 3/4"	23 1/4"	793
42	23 1/4"	23 3/4"	812
43	23 3/4"	24 1/4"	830
44	24 1/4"	24 3/4"	849
45	24 3/4"	25 1/4"	868

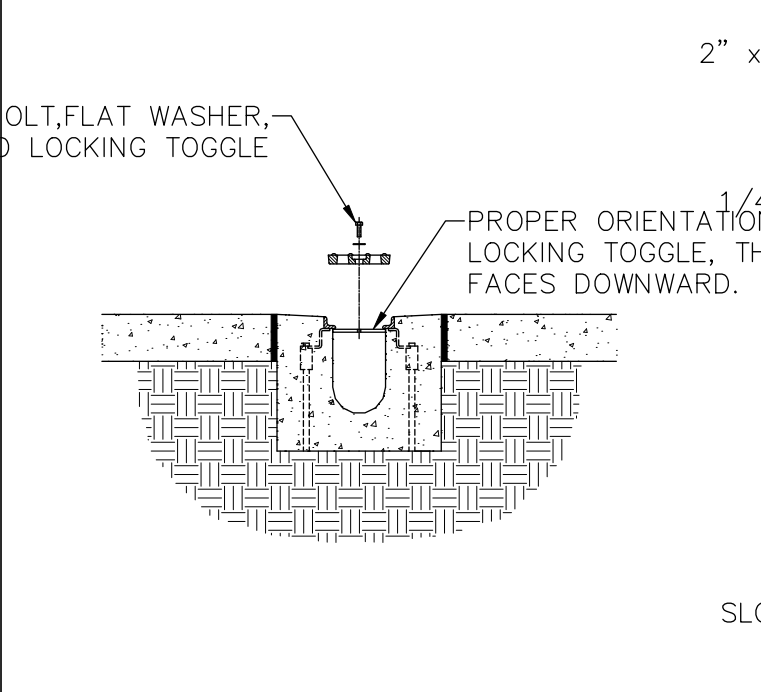
EPS FORM CHART

EconoDrain? Series #4
INSTALLING FORMERS IN DEEPER PORTION OF SYSTEM

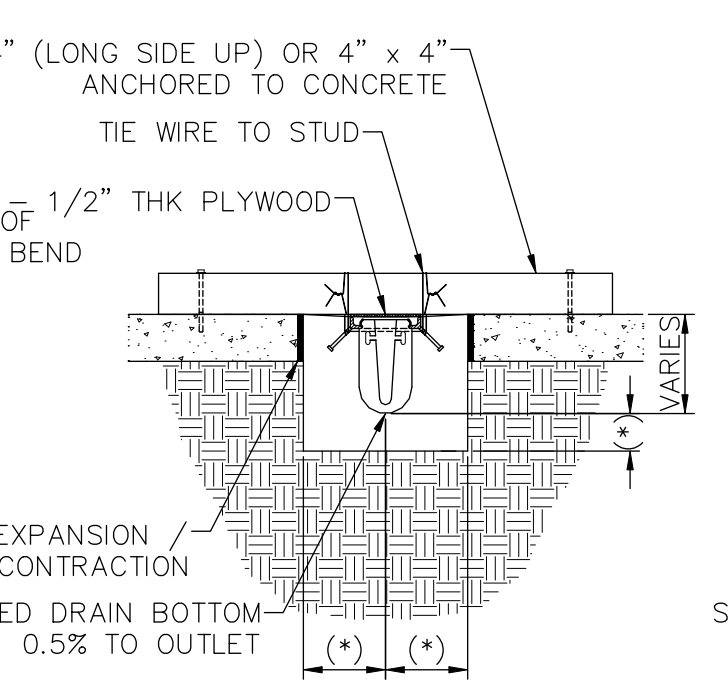
HOLES ARE PROVIDED THROUGH THE CENTER OF THE DEEPER EPS FORMS FOR INSERTION OF REBAR. THESE HOLES MAINTAIN VERTICAL ALIGNMENT DURING INITIAL CONCRETE PLACEMENT. THE REBAR IS DRIVEN ONLY A FEW INCHES INTO THE GROUND OR SUBGRADE. SURFACE MUST BE FILLED ON BOTH SIDES OF THE FORM AS EVENLY AS POSSIBLE. MULTIPLE PASSES ON EITHER SIDE ARE PREFERABLE WHILE AVOIDING FILLING THE TRENCH FROM ONE SIDE. SEE INSTALLATION INSTRUCTIONS, STEP 15: HOW TO POUR CONCRETE AROUND ECONODRAIN® TRENCH FORMING SYSTEM. THE REBAR MUST BE REMOVED ONCE THE CONCRETE FORM PRESSURE EQUALIZES BUT PRIOR TO THE CONCRETE SETTING UP.



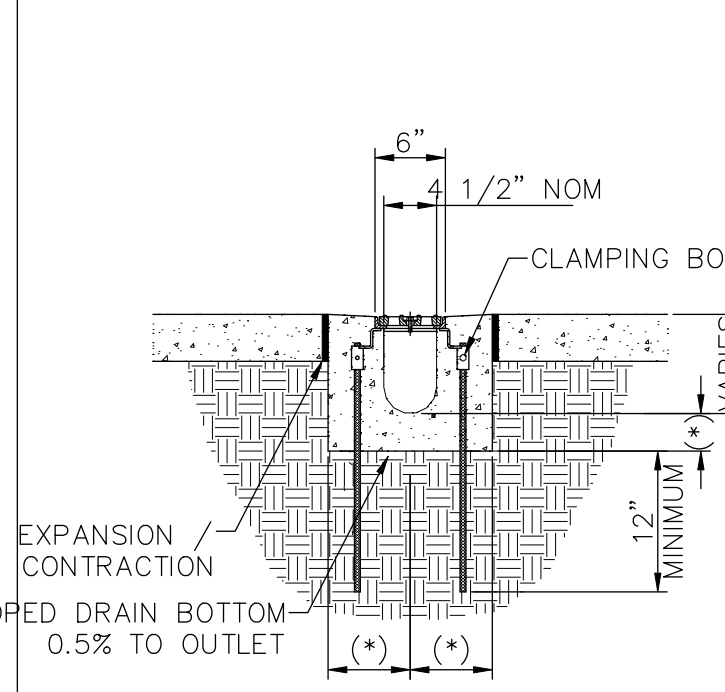
EconoDrain? Series #4
GRATE SELECTION



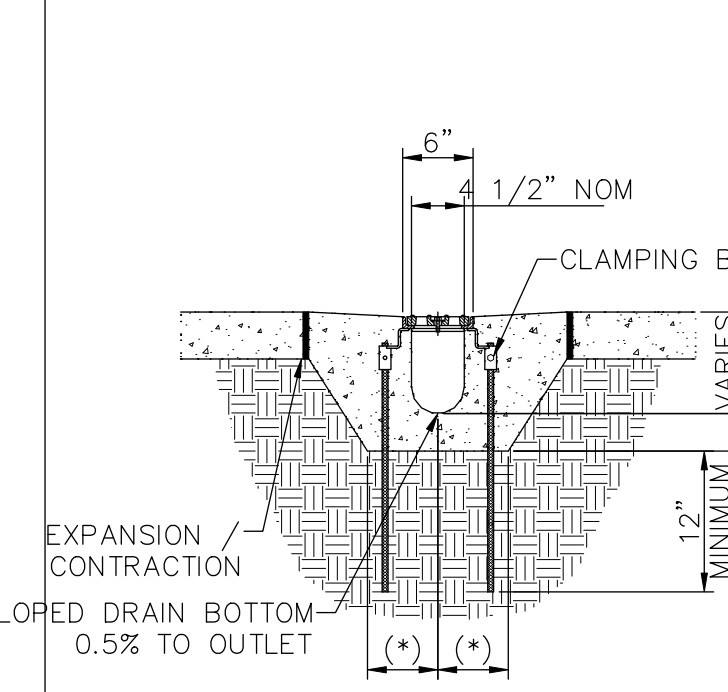
EconoDrain? Series #4
GRATE LOCKING DEVICE INSTALLATION



EconoDrain? Series #4
SUSPENDING FORMERS FROM EXISTING SLAB



EconoDrain? Series #4
SAWCUT EXISTING SLAB INSTALLATION DETAIL

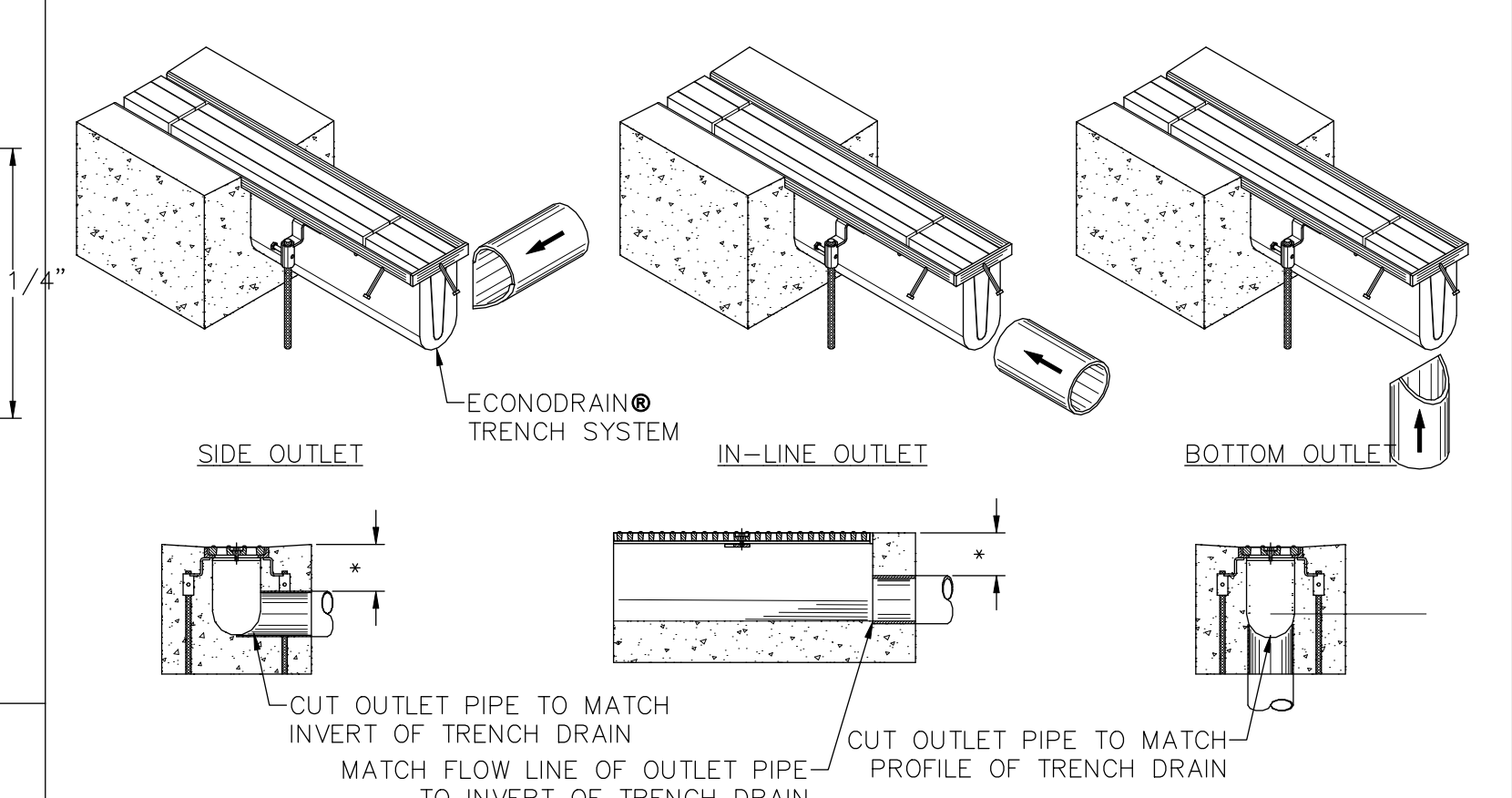


EconoDrain? Series #4
MONOLITHIC POUR INSTALLATION DETAIL

NOTES TO THE SPECIFIER:
1. ADD REBAR AS REQUIRED.
2. SPECIFY REQUIRED DIMENSIONS LABELED WITH (*) USING 6" EACH SIDE OF STEEL FRAME AND BELOW EPS FORM AS A RECOMMENDED MINIMUM.
3. SHOW TOP OF GRATE ELEVATION IN PLAN VIEW.
4. EXPANSION / CONTRACTION JOINT PER LOCAL ENGINEERING REGULATIONS AND GUIDELINES.
5. STANDARD CHANNEL LENGTH IS 8'-0" (96")
6. STANDARD CHANNEL SLOPE IS 0.5%

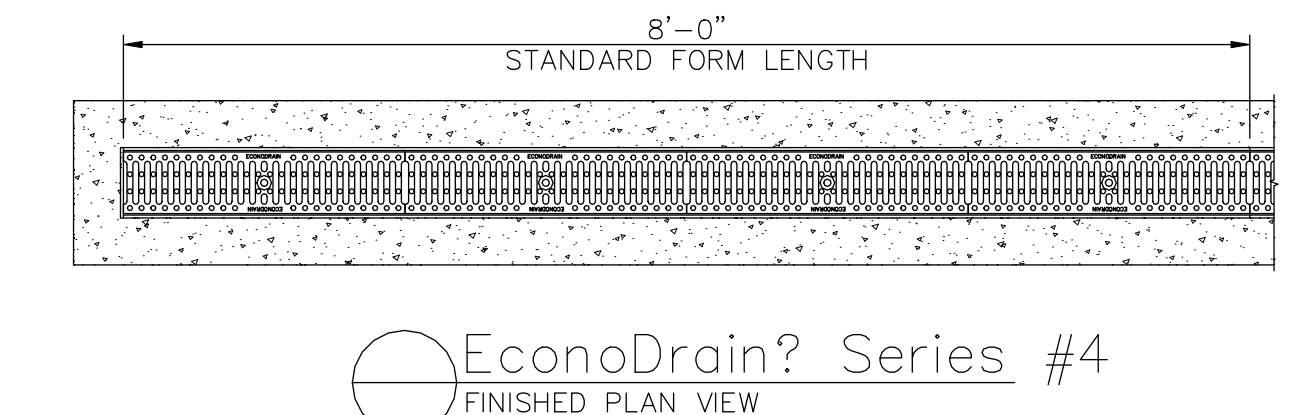
NOTES TO THE SPECIFIER:
1. ADD REBAR AS REQUIRED.
2. SPECIFY REQUIRED DIMENSIONS LABELED WITH (*) USING 6" EACH SIDE OF STEEL FRAME AND BELOW EPS FORM AS A RECOMMENDED MINIMUM.
3. SHOW TOP OF GRATE ELEVATION IN PLAN VIEW.
4. EXPANSION / CONTRACTION JOINT PER LOCAL ENGINEERING REGULATIONS AND GUIDELINES.
5. STANDARD CHANNEL LENGTH IS 8'-0" (96")
6. STANDARD CHANNEL SLOPE IS 0.5%

NOTES TO THE SPECIFIER:
1. ADD REBAR AS REQUIRED.
2. SPECIFY REQUIRED DIMENSIONS LABELED WITH (*) USING 6" EACH SIDE OF STEEL FRAME AND BELOW EPS FORM AS A RECOMMENDED MINIMUM.
3. SHOW TOP OF GRATE ELEVATION IN PLAN VIEW.
4. EXPANSION / CONTRACTION JOINT PER LOCAL ENGINEERING REGULATIONS AND GUIDELINES.
5. STANDARD CHANNEL LENGTH IS 8'-0" (96")
6. STANDARD CHANNEL SLOPE IS 0.5%

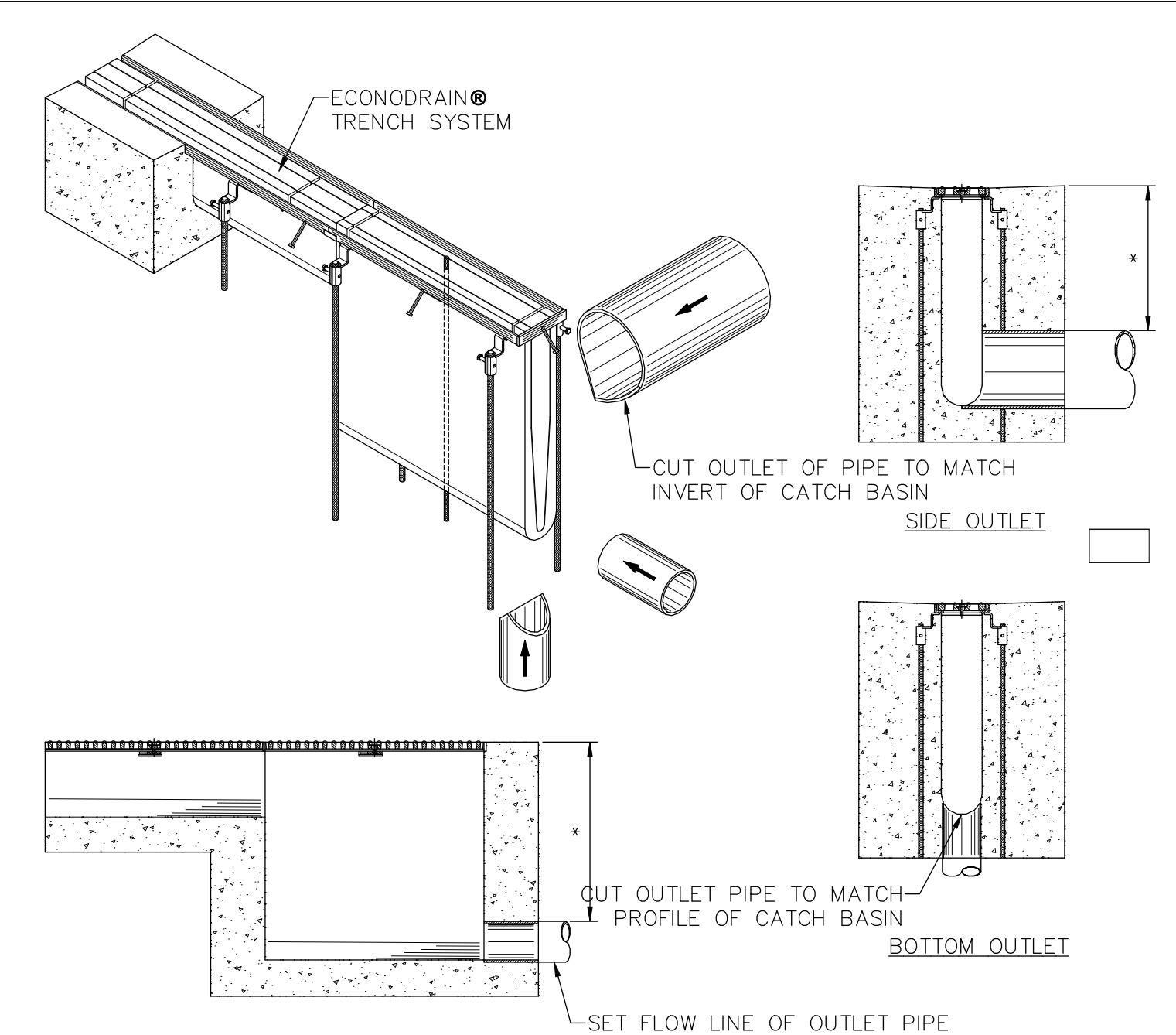


EconoDrain? Series #
OUTLETS FROM END OF TRENCH

NOTES TO THE SPECIFIER:
1. ADD REBAR AS REQUIRED.
2. SPECIFY MINIMUM CONCRETE ENCASEMENT.
3. 4" MINIMUM CONCRETE COVERAGE OF OUTLET PIPE IS RECOMMENDED (LABELED WITH *).
4. FINAL CONCRETE THICKNESS PER LOCAL ENGINEERING REGULATIONS AND GUIDELINES.
CONSTRUCTION NOTES:
1. INSTALLATION TO BE COMPLETED IN ACCORDANCE WITH MANUFACTURERS SPECIFICATIONS.
2. SECURE OUTLET PIPE PRIOR TO CONCRETING OPERATIONS.
3. FOR ILLUSTRATION ONLY - DO NOT SCALE

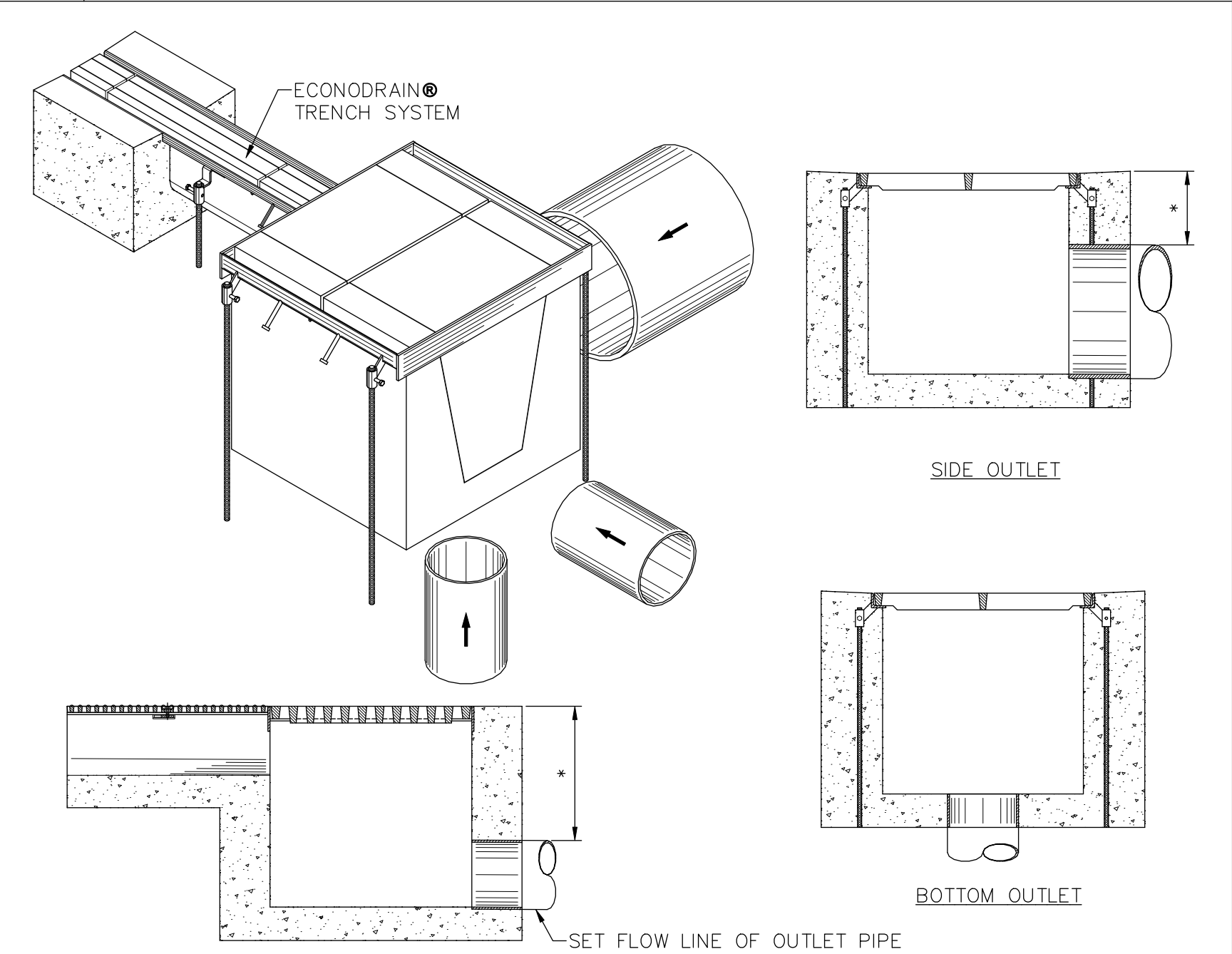


EconoDrain? Series #4
FINISHED PLAN VIEW



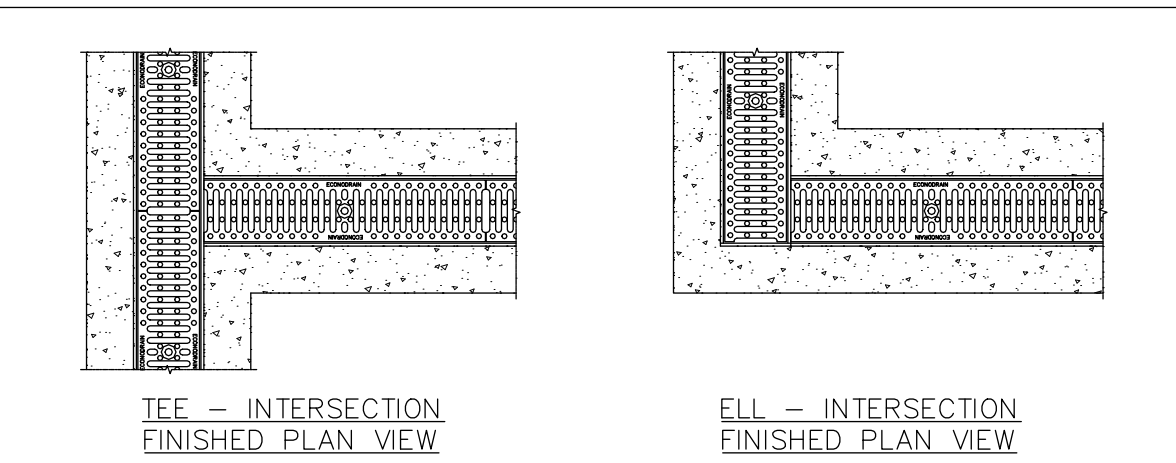
EconoDrain? Series #4
OUTLET FROM IN-LINE CATCH BASIN

NOTES TO THE SPECIFIER:
1. ADD REBAR AS REQUIRED.
2. SPECIFY MINIMUM CONCRETE ENCASEMENT.
3. 4" MINIMUM CONCRETE COVERAGE OF OUTLET PIPE IS RECOMMENDED (LABELED WITH *).
4. FINAL CONCRETE THICKNESS PER LOCAL ENGINEERING REGULATIONS AND GUIDELINES.
CONSTRUCTION NOTES:
1. INSTALLATION TO BE COMPLETED IN ACCORDANCE WITH MANUFACTURERS SPECIFICATIONS.
2. SECURE OUTLET PIPE PRIOR TO CONCRETING OPERATIONS.
3. FOR ILLUSTRATION ONLY - DO NOT SCALE

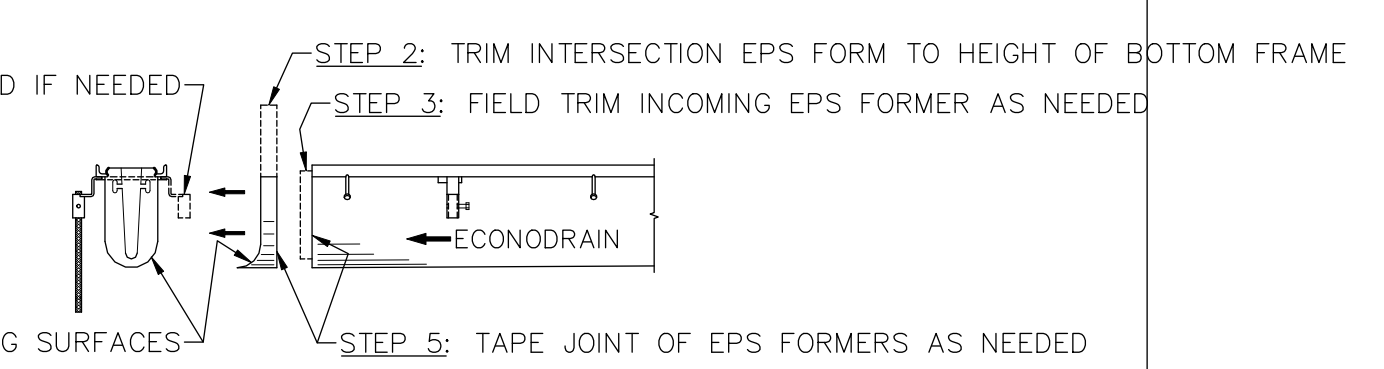


EconoDrain? Series #4
OUTLET FROM CATCH BASIN

NOTES TO THE SPECIFIER:
1. ADD REBAR AS REQUIRED.
2. SPECIFY MINIMUM CONCRETE ENCASEMENT.
3. 4" MINIMUM CONCRETE COVERAGE OF OUTLET PIPE IS RECOMMENDED (LABELED WITH *).
4. FINAL CONCRETE THICKNESS PER LOCAL ENGINEERING REGULATIONS AND GUIDELINES.
CONSTRUCTION NOTES:
1. INSTALLATION TO BE COMPLETED IN ACCORDANCE WITH MANUFACTURERS SPECIFICATIONS.
2. SECURE OUTLET PIPE PRIOR TO CONCRETING OPERATIONS.
3. FOR ILLUSTRATION ONLY - DO NOT SCALE



EconoDrain? Series #4
TEE & ELL INTERSECTION KITS



GENERAL NOTES:
1. ALL DIMENSIONS SHOWN ARE NOMINAL.
2. THIS SYSTEM AVAILABLE ONLY WITH PRE-WELDED GRATE FRAMES.

EconoDrain? Series #4
ENGINEERING / CONSTRUCTION DETAIL TEMPLATE
© 2014 MultiDrain Systems, Inc.