

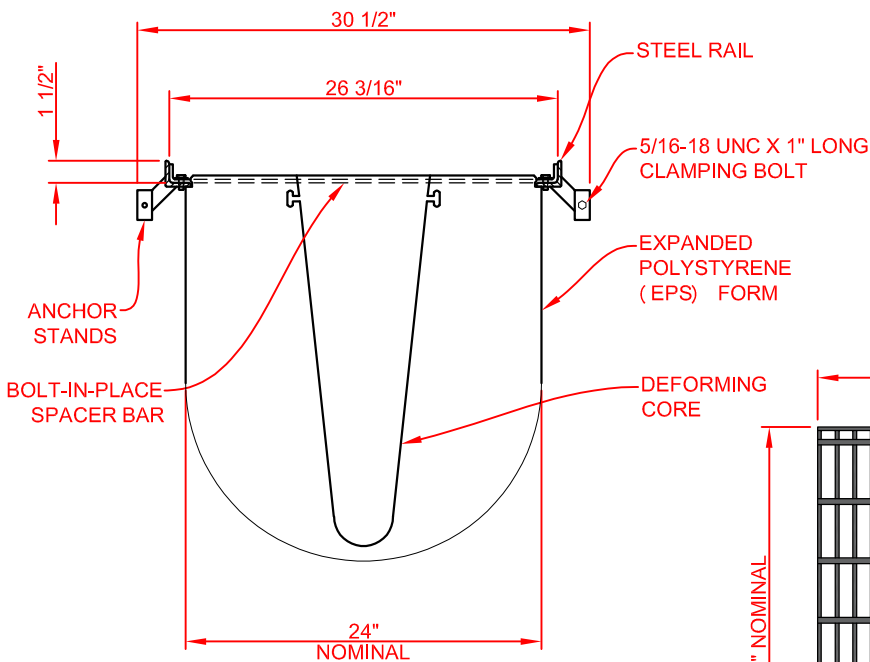
**ELEVATION**  
DO NOT SCALE

FINISH SPECIFICATION

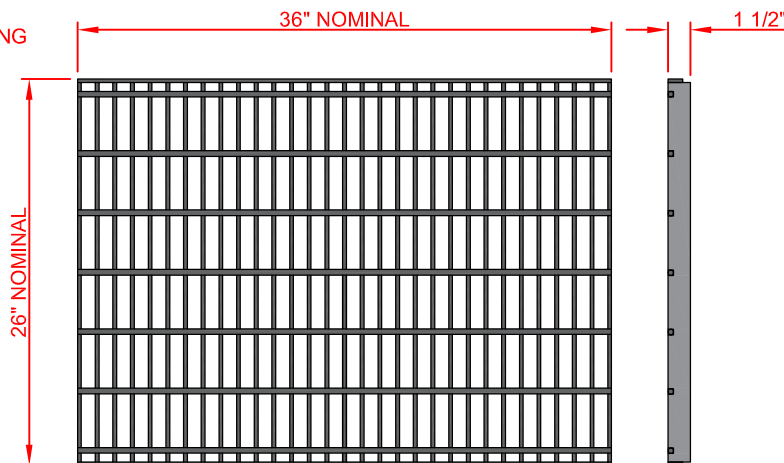
GRATE RAIL: BLACK POLYESTER  
POWDER COAT - STANDARD  
HOT DIP GALVANIZE - OPTIONAL  
STAINLESS STEEL - OPTIONAL

BAR GRATE : SHOP BLACK - STANDARD  
HOT DIP GALVANIZE - OPTIONAL  
STAINLESS STEEL - OPTIONAL

70% OPEN AREA  
218 SQ INCHES  
PER LINEAR FOOT



**SECTION A-A**  
DO NOT SCALE



PAINTED STEEL BANDED BAR GRATE - #EG-2636-HPBG  
GALVANIZED STEEL BANDED BAR GRATE - #EG-2636-HGBG  
STAINLESS STEEL BANDED BAR GRATE - #EG-2636-HSBG  
(INSTALL AFTER REMOVAL OF EPS FORM)

**NOTES:**

1. INSTALLATION TO BE COMPLETED IN ACCORDANCE WITH MANUFACTURER'S SPECIFICATIONS AND INSTALLATION INSTRUCTIONS.
2. A TRENCH SHALL BE EXCAVATED A MINIMUM OF 12" WIDER THAN THE OVERALL WIDTH OF THE STEEL FRAME (6" MINIMUM ON EACH SIDE) AND A MINIMUM OF 6 INCHES DEEPER THAN THE OVERALL DEPTH OF THE ECONODRAIN EPS FORM.
3. DO NOT SCALE DRAWINGS.

**NOTE:**

THIS BAR GRATE IS DESIGNED FOR LIGHT DUTY LOADING. PLEASE CONTACT MULTIDRAIN SYSTEMS, INC. FOR HEAVY DUTY APPLICATIONS.

Copyright © 2014 MultiDrain Systems, Inc.



1405 INDUSTRIAL DRIVE  
STATESVILLE, NC 28625  
(704) 508-1010  
1-800-433-1119  
www.multidrain.com

## EconoDrain® Series #24

### Standard Rail & Bolt-In-Place Spacer Bar

FILE NUMBER:

**CSI-ED-2496NR-BG-20a**

REV: 00

Proprietary rights of MultiDrain Systems, Inc. are included in the information disclosed herein. The recipient, by accepting this document, agrees that neither this document nor the information disclosed herein nor any part thereof shall be copied, reproduced or transferred for manufacturing or for any other purpose except as specifically authorized in writing by MULTIDRAIN.

**DISCLAIMER:** The customer and the customer's architects, engineers, consultants and other professionals are completely responsible for the selection, installation, and maintenance of any product purchased from MultiDrain, and EXCEPT AS EXPRESSLY PROVIDED IN MULTIDRAIN'S STANDARD WARRANTIES, MULTIDRAIN MAKES NO WARRANTY, EXPRESS OR IMPLIED, AS TO THE SUITABILITY, DESIGN, MERCHANTABILITY, OR FITNESS OF THE PRODUCT FOR CUSTOMER'S APPLICATION. Copies of MultiDrain's standard warranties are available upon request.