

	EPS FORM	DEPTH		FLOW GPM	
		MIN	MAX		
SHALLOW EPS FORMS	10	8"	8 1/2"	606	
	11	8 1/2"	9"	671	
	12	9"	9 1/2"	736	
	13	9 1/2"	10"	803	
	14	10"	10 1/2"	869	
	15	10 1/2"	11"	937	
	16	11"	11 1/2"	1004	
	17	11 1/2"	12"	1072	
	18	12"	12 1/2"	1140	
	19	12 1/2"	13"	1209	
	20	13"	13 1/2"	1277	
	21	13 1/2"	14"	1346	
	22	14"	14 1/2"	1415	
	23	14 1/2"	15"	1484	
	DEEP EPS FORMS	24	15"	15 1/2"	1554
		25	15 1/2"	16"	1623
		26	16"	16 1/2"	1693
		27	16 1/2"	17"	1762
		28	17"	17 1/2"	1832
		29	17 1/2"	18"	1902
		30	18"	18 1/2"	1972
		31	18 1/2"	19"	2042
		32	19"	19 1/2"	2113
33		19 1/2"	20"	2183	
34		20"	20 1/2"	2253	
35		20 1/2"	21"	2324	
36		21"	21 1/2"	2394	
37		21 1/2"	22"	2465	
38		22"	22 1/2"	2535	
39		22 1/2"	23"	2606	
40		23"	23 1/2"	2676	
41		23 1/2"	24"	2747	
42		24"	24 1/2"	2818	
43		24 1/2"	25"	2889	
44		25"	25 1/2"	2959	
45		25 1/2"	26"	3030	

(\* ) CUSTOM SLOPES & DEPTHS AVAILABLE

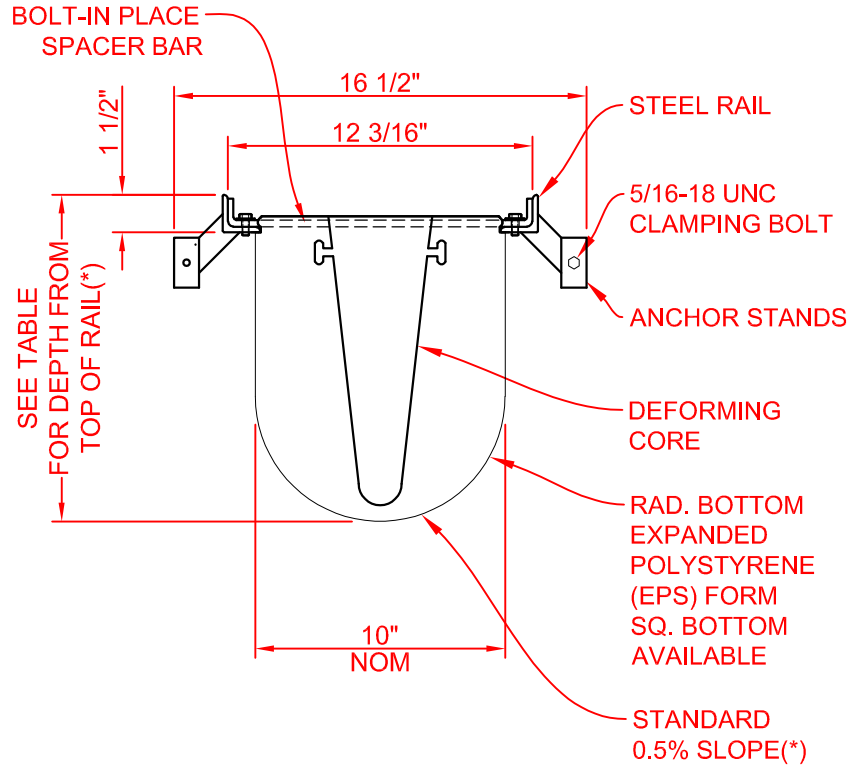
STEEL FRAMES & EPS FORMS ARE STANDARD 8'-0" LENGTHS

10	11	12	13	14	15	16	17	18	19	20	21	22	23
----	----	----	----	----	----	----	----	----	----	----	----	----	----

SHALLOW EPS FORMS

24	25	26	27	28	29	30	31	32	33	34	35	36	37	38	39	40	41	42	43	44	45
----	----	----	----	----	----	----	----	----	----	----	----	----	----	----	----	----	----	----	----	----	----

DEEP EPS FORMS



**NOTES:**

1. INSTALLATION TO BE COMPLETED IN ACCORDANCE WITH MANUFACTURER'S SPECIFICATIONS AND INSTALLATION INSTRUCTIONS.
2. A TRENCH SHALL BE EXCAVATED A MINIMUM OF 12" WIDER THAN THE OVERALL WIDTH OF THE STEEL FRAME ( 6" MINIMUM ON EACH SIDE) AND A MINIMUM OF 6 INCHES DEEPER THAN THE OVERALL DEPTH OF THE ECONODRAIN EPS FORM.
3. DO NOT SCALE DRAWINGS.

Copyright © 2014 MultiDrain Systems, Inc. A



1405 INDUSTRIAL DRIVE  
STATESVILLE, NC 28625  
(704) 508-1010  
1-800-433-1119  
www.multidrain.com

## EconoDrain® Series #10

### Standard Rail & Bolt-In-Place Spacer Bar

FILE NUMBER:

**CSI-ED-EPS-1096NR-20a**

REV: 00

Proprietary rights of MultiDrain Systems, Inc. are included in the information disclosed herein. The recipient, by accepting this document, agrees that neither this document nor the information disclosed herein nor any part thereof shall be copied, reproduced or transferred for manufacturing or for any other purpose except as specifically authorized in writing by MULTIDRAIN.

**DISCLAIMER:** The customer and the customer's architects, engineers, consultants and other professionals are completely responsible for the selection, installation, and maintenance of any product purchased from MultiDrain, and EXCEPT AS EXPRESSLY PROVIDED IN MULTIDRAIN'S STANDARD WARRANTIES, MULTIDRAIN MAKES NO WARRANTY, EXPRESS OR IMPLIED, AS TO THE SUITABILITY, DESIGN, MERCHANTABILITY, OR FITNESS OF THE PRODUCT FOR CUSTOMER'S APPLICATION. Copies of MultiDrain's standard warranties are available upon request.