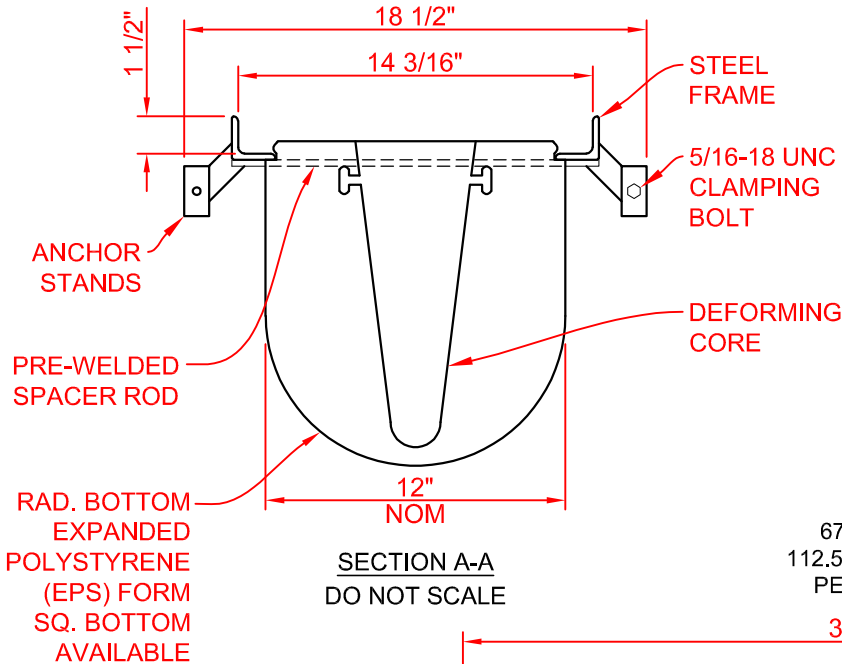


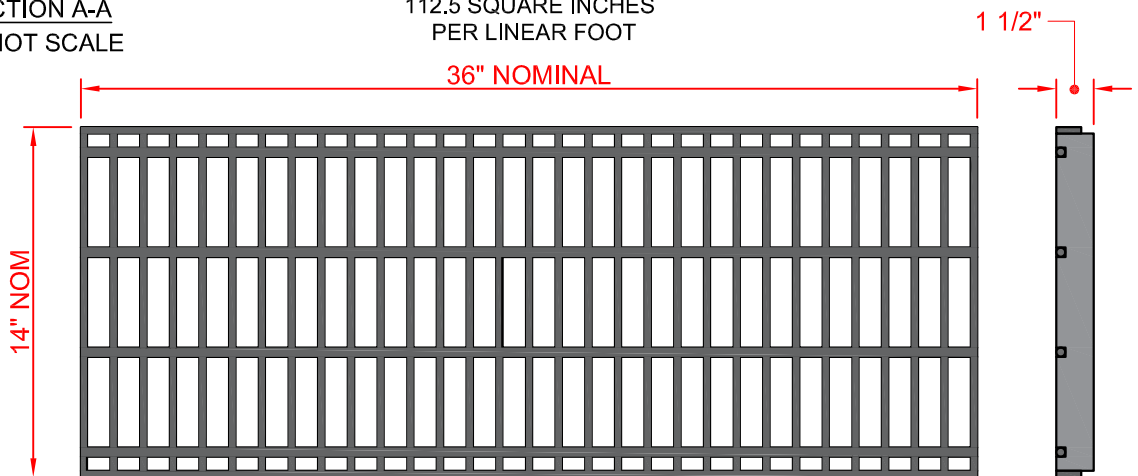
ELEVATION
DO NOT SCALE



SECTION A-A
DO NOT SCALE

FINISH SPECIFICATION
 GRATE FRAME: BLACK POLYESTER POWDER COAT - STANDARD
 HOT DIP GALVANIZE - OPTIONAL
 STAINLESS STEEL - OPTIONAL
 BAR GRATE : SHOP BLACK - STANDARD
 HOT DIP GALVANIZE - OPTIONAL
 SAINLESS STEEL - OPTIONAL

67% OPEN AREA
 112.5 SQUARE INCHES
 PER LINEAR FOOT



PAINTED STEEL BANDED BAR GRATE - #EG-1436-HPBG (STANDARD)
 GALVANIZED STEEL BANDED BAR GRATE - #EG-1436-HGBG
 STAINLESS STEEL BANDED BAR GRATE - #EG-1436-HSBG
 (INSTALLED AFTER REMOVAL OF EPS FORM)

NOTES:

1. INSTALLATION TO BE COMPLETED IN ACCORDANCE WITH MANUFACTURER'S SPECIFICATIONS AND INSTALLATION INSTRUCTIONS.
2. A TRENCH SHALL BE EXCAVATED A MINIMUM OF 12" WIDER THAN THE OVERALL WIDTH OF THE STEEL FRAME (6" MINIMUM ON EACH SIDE) AND A MINIMUM OF 6 INCHES DEEPER THAN THE OVERALL DEPTH OF THE ECONODRAIN EPS FORM.
3. DO NOT SCALE DRAWINGS.

Copyright © 2014 MultiDrain Systems, Inc. A



1405 INDUSTRIAL DRIVE
 STATESVILLE, NC 28625
 (704) 508-1010
 1-800-433-1119
 www.multidrain.com

EconoDrain® Series #12 Standard Pre-Welded Frame

FILE NUMBER:

CSI-ED-1296-BG-20a

REV: 00

Proprietary rights of MultiDrain Systems, Inc. are included in the information disclosed herein. The recipient, by accepting this document, agrees that neither this document nor the information disclosed herein nor any part thereof shall be copied, reproduced or transferred for manufacturing or for any other purpose except as specifically authorized in writing by MULTIDRAIN.

DISCLAIMER: The customer and the customer's architects, engineers, consultants and other professionals are completely responsible for the selection, installation, and maintenance of any product purchased from MultiDrain, and EXCEPT AS EXPRESSLY PROVIDED IN MULTIDRAIN'S STANDARD WARRANTIES, MULTIDRAIN MAKES NO WARRANTY, EXPRESS OR IMPLIED, AS TO THE SUITABILITY, DESIGN, MERCHANTABILITY, OR FITNESS OF THE PRODUCT FOR CUSTOMER'S APPLICATION. Copies of MultiDrain's standard warranties are available upon request.