

**STEEL FRAMES & EPS FORMS ARE STANDARD 8'-0" LENGTHS**

18	19	20	21	22	23	24	25	26	27	28	29	30
----	----	----	----	----	----	----	----	----	----	----	----	----

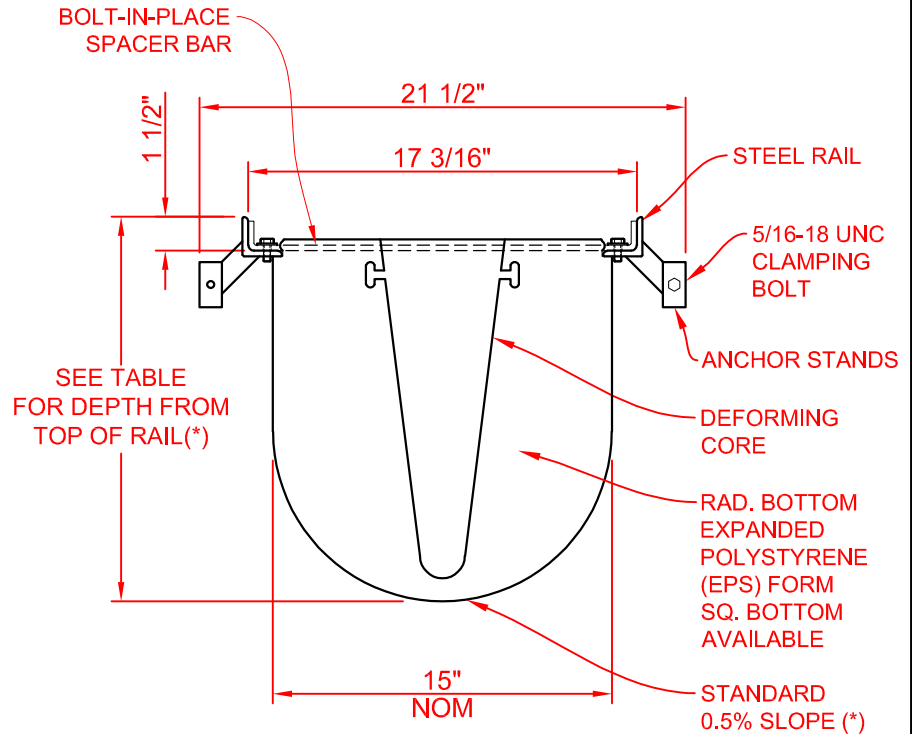
**SHALLOW EPS FORMS**

31	32	33	34	35	36	37	38	39	40	41	42	43	44	45	46	47	48	49	50
----	----	----	----	----	----	----	----	----	----	----	----	----	----	----	----	----	----	----	----

**DEEP EPS FORMS**

	EPS FORM	DEPTH		FLOW GPM
		MIN	MAX	
SHALLOW EPS FORMS	18	12"	12 1/2"	1914
	19	12 1/2"	13"	2042
	20	13"	13 1/2"	2171
	21	13 1/2"	14"	2301
	22	14"	14 1/2"	2432
	23	14 1/2"	15"	2563
	24	15"	15 1/2"	2695
	25	15 1/2"	16"	2828
	26	16"	16 1/2"	2961
	27	16 1/2"	17"	3094
28	17"	17 1/2"	3227	
29	17 1/2"	18"	3361	
30	18"	18 1/2"	3496	
DEEP EPS FORMS	31	18 1/2"	19"	3631
	32	19"	19 1/2"	3766
	33	19 1/2"	20"	3901
	34	20"	20 1/2"	4036
	35	20 1/2"	21"	4172
	36	21"	21 1/2"	4308
	37	21 1/2"	22"	4444
	38	22"	22 1/2"	4580
	39	22 1/2"	23"	4717
	40	23"	23 1/2"	4854
	41	23 1/2"	24"	4991
	42	24"	24 1/2"	5128
	43	24 1/2"	25"	5265
	44	25"	25 1/2"	5402
	45	25 1/2"	26"	5540
	46	26"	26 1/2"	5677
	47	26 1/2"	27"	5815
	48	27"	27 1/2"	5953
	49	27 1/2"	28"	6091
	50	28"	28 1/2"	6229

(\* ) CUSTOM SLOPES & DEPTHS AVAILABLE



**NOTES:**

1. INSTALLATION TO BE COMPLETED IN ACCORDANCE WITH MANUFACTURER'S SPECIFICATIONS AND INSTALLATION INSTRUCTIONS.
2. A TRENCH SHALL BE EXCAVATED A MINIMUM OF 12" WIDER THAN THE OVERALL WIDTH OF THE STEEL FRAME ( 6" MINIMUM ON EACH SIDE) AND A MINIMUM OF 6 INCHES DEEPER THAN THE OVERALL DEPTH OF THE ECONODRAIN EPS FORM.
3. DO NOT SCALE DRAWINGS.

Copyright © 2014 MultiDrain Systems, Inc. A



1405 INDUSTRIAL DRIVE  
STATESVILLE, NC 28625  
(704) 508-1010  
1-800-433-1119  
www.multidrain.com

**EconoDrain® Series #15**  
**Standard Rail & Bolt-In-Place Spacer Bar**

FILE NUMBER:

**CSI-ED-EPS-1596NR-20a**

REV: 00

Proprietary rights of MultiDrain Systems, Inc. are included in the information disclosed herein. The recipient, by accepting this document, agrees that neither this document nor the information disclosed herein nor any part thereof shall be copied, reproduced or transferred for manufacturing or for any other purpose except as specifically authorized in writing by MULTIDRAIN.

**DISCLAIMER:** The customer and the customer's architects, engineers, consultants and other professionals are completely responsible for the selection, installation, and maintenance of any product purchased from MultiDrain, and EXCEPT AS EXPRESSLY PROVIDED IN MULTIDRAIN'S STANDARD WARRANTIES, MULTIDRAIN MAKES NO WARRANTY, EXPRESS OR IMPLIED, AS TO THE SUITABILITY, DESIGN, MERCHANTABILITY, OR FITNESS OF THE PRODUCT FOR CUSTOMER'S APPLICATION. Copies of MultiDrain's standard warranties are available upon request.