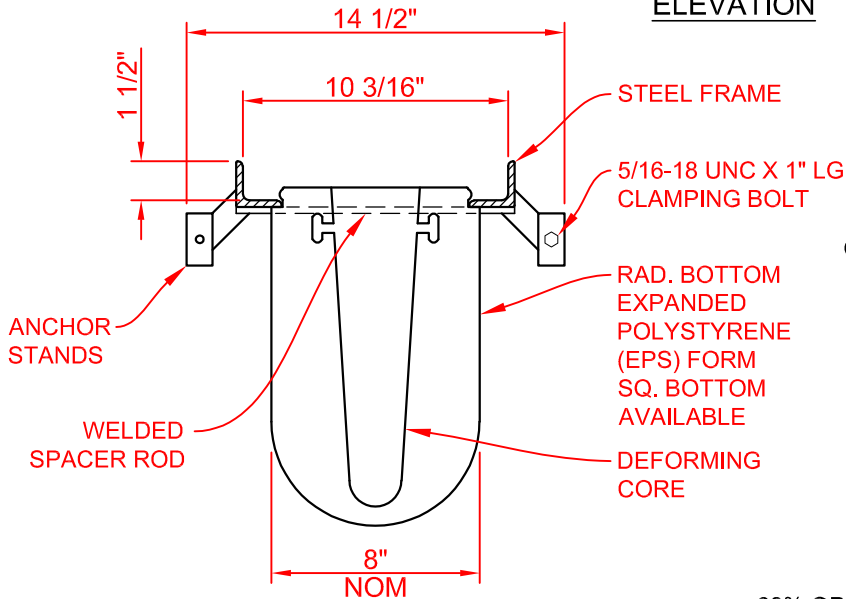


ELEVATION

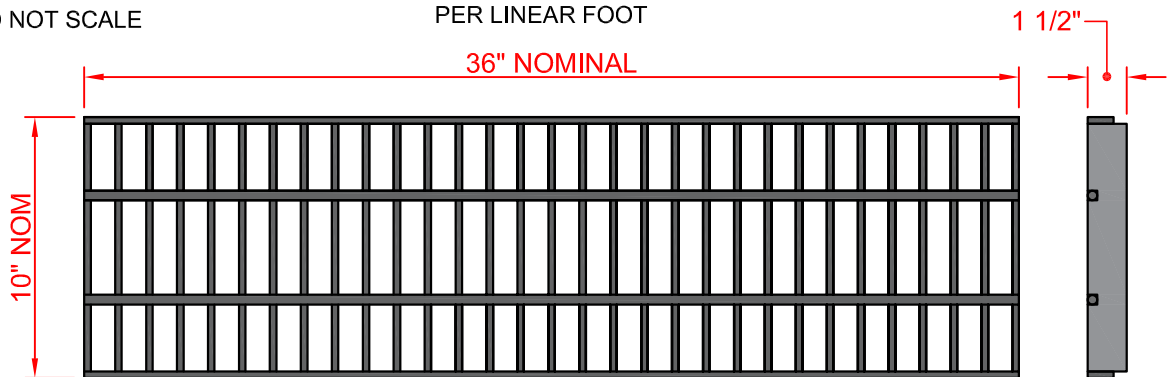


**SECTION A-A
DO NOT SCALE**

68% OPEN AREA
82.0 SQUARE INCHES
PER LINEAR FOOT

FINISH SPECIFICATION

GRATE FRAME: BLACK POLYESTER POWDER COAT - STD.
HOT DIP GALVANIZE - OPTIONAL
STAINLESS STEEL - OPTIONAL
BAR GRATE : SHOP BLACK - STANDARD
HOT DIP GALVANIZE - OPTIONAL
STAINLESS STEEL - OPTIONAL



**PAINTED STEEL BANDED BAR GRATE - #EG-1036-HPBG
GALVANIZED STEEL BANDED BAR GRATE - #EG-1036-HGBG
STAINLESS STEEL BANDED BAR GRATE - #EG-1036-HSBG
(INSTALLED AFTER REMOVAL OF EPS FORM)**

NOTES:

1. INSTALLATION TO BE COMPLETED IN ACCORDANCE WITH MANUFACTURER'S SPECIFICATIONS AND INSTALLATION INSTRUCTIONS.
2. A TRENCH SHALL BE EXCAVATED A MINIMUM OF 12" WIDER THAN THE OVERALL WIDTH OF THE STEEL FRAME (6" MINIMUM ON EACH SIDE) AND A MINIMUM OF 6 INCHES DEEPER THAN THE OVERALL DEPTH OF THE ECONODRAIN EPS FORM.
3. DO NOT SCALE DRAWINGS.

Copyright © 2014 MultiDrain Systems, Inc. A



1405 INDUSTRIAL DRIVE
STATESVILLE, NC 28625
(704) 508-1010
1-800-433-1119
www.multidrain.com

**EconoDrain® Series #8
Standard Pre-Welded Frame**

FILE NUMBER:

CSI-ED-0896-BG-20a

REV: 00

Proprietary rights of MultiDrain Systems, Inc. are included in the information disclosed herein. The recipient, by accepting this document, agrees that neither this document nor the information disclosed herein nor any part thereof shall be copied, reproduced or transferred for manufacturing or for any other purpose except as specifically authorized in writing by MULTIDRAIN.

DISCLAIMER: The customer and the customer's architects, engineers, consultants and other professionals are completely responsible for the selection, installation, and maintenance of any product purchased from MultiDrain, and EXCEPT AS EXPRESSLY PROVIDED IN MULTIDRAIN'S STANDARD WARRANTIES, MULTIDRAIN MAKES NO WARRANTY, EXPRESS OR IMPLIED, AS TO THE SUITABILITY, DESIGN, MERCHANTABILITY, OR FITNESS OF THE PRODUCT FOR CUSTOMER'S APPLICATION. Copies of MultiDrain's standard warranties are available upon request.