

EPS FORM	DEPTH		FLOW GPM
	MIN	MAX	
10	8"	8 1/2"	743
11	8 1/2"	9"	829
12	9"	9 1/2"	915
13	9 1/2"	10"	1003
14	10"	10 1/2"	1091
15	10 1/2"	11"	1180
16	11"	11 1/2"	1269
17	11 1/2"	12"	1359
18	12"	12 1/2"	1450
19	12 1/2"	13"	1541
20	13"	13 1/2"	1633
21	13 1/2"	14"	1725
22	14"	14 1/2"	1817
23	14 1/2"	15"	1910

SHALLOW EPS FORMS

24	15"	15 1/2"	2002
25	15 1/2"	16"	2095
26	16"	16 1/2"	2189
27	16 1/2"	17"	2282
28	17"	17 1/2"	2376
29	17 1/2"	18"	2470
30	18"	18 1/2"	2564
31	18 1/2"	19"	2658
32	19"	19 1/2"	2753
33	19 1/2"	20"	2847
34	20"	20 1/2"	2942
35	20 1/2"	21"	3036
36	21"	21 1/2"	3131
37	21 1/2"	22"	3226
38	22"	22 1/2"	3321
39	22 1/2"	23"	3416
40	23"	23 1/2"	3511
41	23 1/2"	24"	3607
42	24"	24 1/2"	3702
43	24 1/2"	25"	3798
44	25"	25 1/2"	3893
45	25 1/2"	26"	3989

DEEP EPS FORMS

(\* ) CUSTOM SLOPES & DEPTHS AVAILABLE

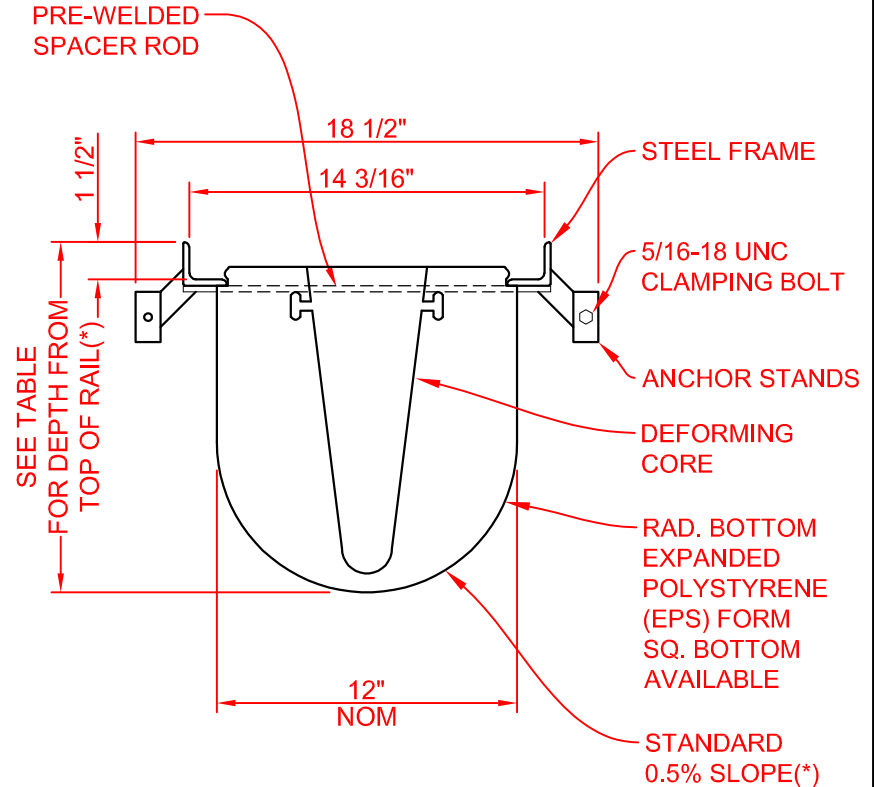
STEEL FRAMES & EPS FORMS ARE STANDARD 8'-0" LENGTHS

10	11	12	13	14	15	16	17	18	19	20	21	22	23
----	----	----	----	----	----	----	----	----	----	----	----	----	----

SHALLOW EPS FORMS

24	25	26	27	28	29	30	31	32	33	34	35	36	37	38	39	40	41	42	43	44	45
----	----	----	----	----	----	----	----	----	----	----	----	----	----	----	----	----	----	----	----	----	----

DEEP EPS FORMS



**NOTES:**

1. INSTALLATION TO BE COMPLETED IN ACCORDANCE WITH MANUFACTURER'S SPECIFICATIONS AND INSTALLATION INSTRUCTIONS.
2. A TRENCH SHALL BE EXCAVATED A MINIMUM OF 12" WIDER THAN THE OVERALL WIDTH OF THE STEEL FRAME (6" MINIMUM ON EACH SIDE) AND A MINIMUM OF 6 INCHES DEEPER THAN THE OVERALL DEPTH OF THE ECONODRAIN EPS FORM.
3. DO NOT SCALE DRAWINGS.

Copyright © 2014 MultiDrain Systems, Inc. A



1405 INDUSTRIAL DRIVE  
STATESVILLE, NC 28625  
(704) 508-1010  
1-800-433-1119  
www.multidrain.com

**EconoDrain® Series #12**  
**Standard Pre-Welded Frame**

FILE NUMBER:

**CSI-ED-EPS-1296-20a**

REV: 00

Proprietary rights of MultiDrain Systems, Inc. are included in the information disclosed herein. The recipient, by accepting this document, agrees that neither this document nor the information disclosed herein nor any part thereof shall be copied, reproduced or transferred for manufacturing or for any other purpose except as specifically authorized in writing by MULTIDRAIN.

**DISCLAIMER:** The customer and the customer's architects, engineers, consultants and other professionals are completely responsible for the selection, installation, and maintenance of any product purchased from MultiDrain, and EXCEPT AS EXPRESSLY PROVIDED IN MULTIDRAIN'S STANDARD WARRANTIES, MULTIDRAIN MAKES NO WARRANTY, EXPRESS OR IMPLIED, AS TO THE SUITABILITY, DESIGN, MERCHANTABILITY, OR FITNESS OF THE PRODUCT FOR CUSTOMER'S APPLICATION. Copies of MultiDrain's standard warranties are available upon request.