

**STEEL FRAMES & EPS FORMS ARE  
STANDARD 8'-0" LENGTHS**

06	07	08	09	10	11	12	13	14	15	16	17	18	19	20	21	22	23
----	----	----	----	----	----	----	----	----	----	----	----	----	----	----	----	----	----

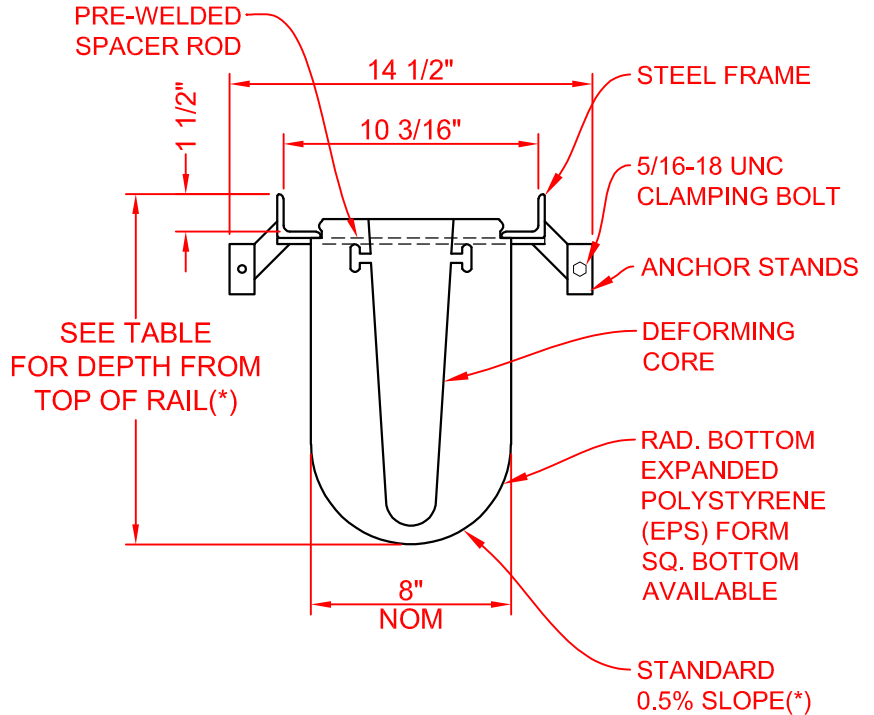
**SHALLOW EPS FORMS**

24	25	26	27	28	29	30	31	32	33	34	35	36	37	38	39	40	41	42	43	44	45
----	----	----	----	----	----	----	----	----	----	----	----	----	----	----	----	----	----	----	----	----	----

**DEEP EPS FORMS**

	EPS FORM	DEPTH		FLOW GPM	
		MIN	MAX		
<b>SHALLOW EPS FORMS</b>	06	6"	6 1/2"	281	
	07	6 1/2"	7"	325	
	08	7"	7 1/2"	370	
	09	7 1/2"	8"	415	
	10	8"	8 1/2"	461	
	11	8 1/2"	9"	507	
	12	9"	9 1/2"	554	
	13	9 1/2"	10"	601	
	14	10"	10 1/2"	648	
	15	10 1/2"	11"	695	
	16	11"	11 1/2"	742	
	17	11 1/2"	12"	790	
	18	12"	12 1/2"	838	
	19	12 1/2"	13"	886	
	20	13"	13 1/2"	934	
	21	13 1/2"	14"	982	
	22	14"	14 1/2"	1030	
	23	14 1/2"	15"	1078	
	<b>DEEP EPS FORMS</b>	24	15"	15 1/2"	1126
		25	15 1/2"	16"	1175
		26	16"	16 1/2"	1223
		27	16 1/2"	17"	1272
		28	17"	17 1/2"	1320
29		17 1/2"	18"	1369	
30		18"	18 1/2"	1418	
31		18 1/2"	19"	1466	
32		19"	19 1/2"	1515	
33		19 1/2"	20"	1564	
34		20"	20 1/2"	1613	
35		20 1/2"	21"	1662	
36		21"	21 1/2"	1710	
37		21 1/2"	22"	1759	
38		22"	22 1/2"	1808	
39		22 1/2"	23"	1857	
40		23"	23 1/2"	1906	
41		23 1/2"	24"	1955	
42		24"	24 1/2"	2004	
43		24 1/2"	25"	2053	
44		25"	25 1/2"	2102	
45		25 1/2"	26"	2151	

(\* ) CUSTOM SLOPES & DEPTHS AVAILABLE



**NOTES:**

1. INSTALLATION TO BE COMPLETED IN ACCORDANCE WITH MANUFACTURER'S SPECIFICATIONS AND INSTALLATION INSTRUCTIONS.
2. A TRENCH SHALL BE EXCAVATED A MINIMUM OF 12" WIDER THAN THE OVERALL WIDTH OF THE STEEL FRAME ( 6" MINIMUM ON EACH SIDE) AND A MINIMUM OF 6 INCHES DEEPER THAN THE OVERALL DEPTH OF THE ECONODRAIN EPS FORM.
3. DO NOT SCALE DRAWINGS.

Copyright © 2014 MultiDrain Systems, Inc. A



1405 INDUSTRIAL DRIVE  
STATESVILLE, NC 28625  
(704) 508-1010  
1-800-433-1119  
www.multidrain.com

**EconoDrain® Series #8  
Standard Pre-Welded Frame**

FILE NUMBER:

**CSI-ED-EPS-0896-20a**

REV: 00

Proprietary rights of MultiDrain Systems, Inc. are included in the information disclosed herein. The recipient, by accepting this document, agrees that neither this document nor the information disclosed herein nor any part thereof shall be copied, reproduced or transferred for manufacturing or for any other purpose except as specifically authorized in writing by MULTIDRAIN.

**DISCLAIMER:** The customer and the customer's architects, engineers, consultants and other professionals are completely responsible for the selection, installation, and maintenance of any product purchased from MultiDrain, and EXCEPT AS EXPRESSLY PROVIDED IN MULTIDRAIN'S STANDARD WARRANTIES, MULTIDRAIN MAKES NO WARRANTY, EXPRESS OR IMPLIED, AS TO THE SUITABILITY, DESIGN, MERCHANTABILITY, OR FITNESS OF THE PRODUCT FOR CUSTOMER'S APPLICATION. Copies of MultiDrain's standard warranties are available upon request.