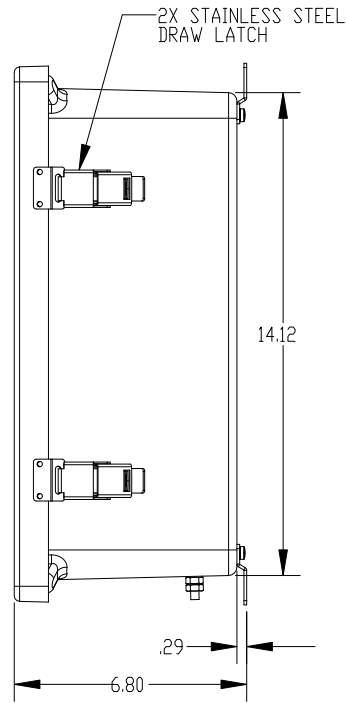
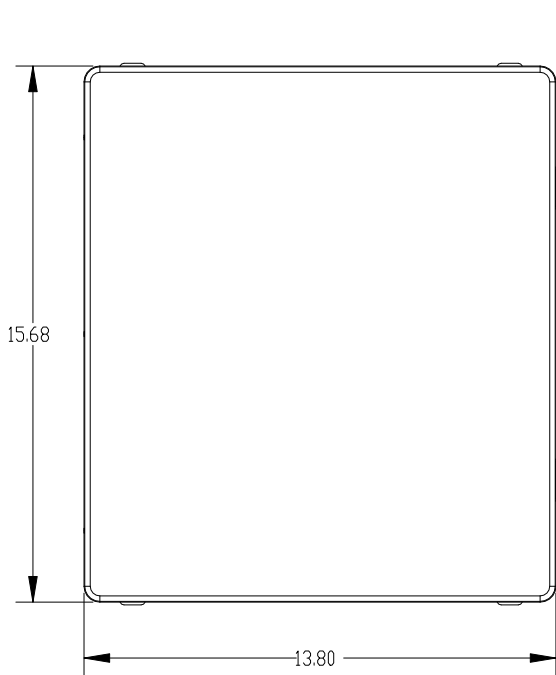
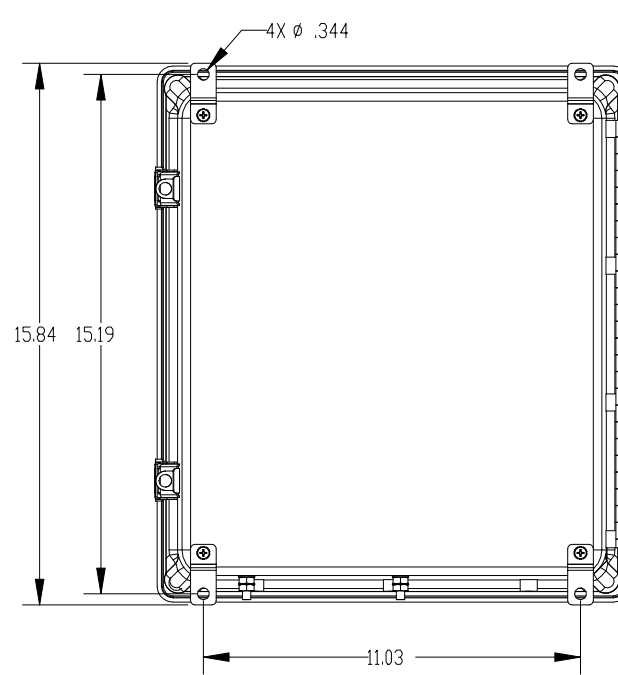


REV.	ECN #	DESCRIPTION OF CHANGE	DATE	BY	MFG ENG
01	N/A	INITIAL RELEASE	07/24/12	SAB	

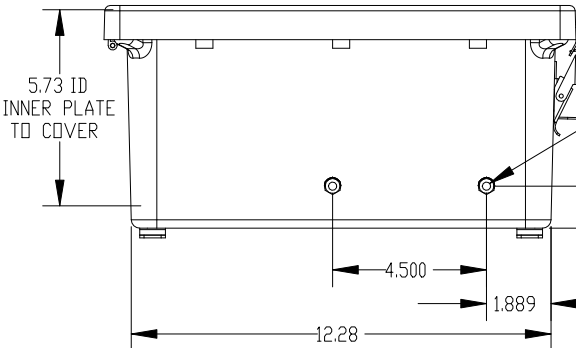
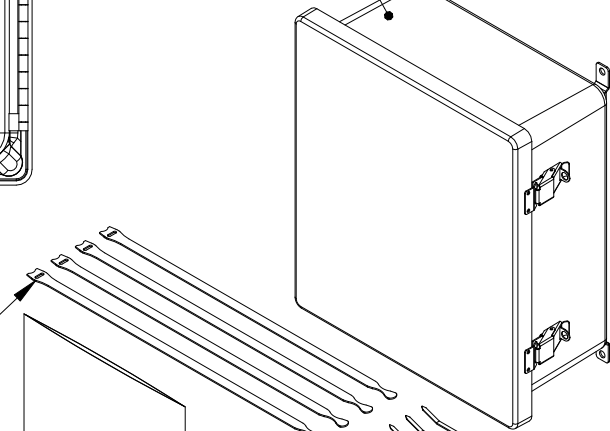


2X STAINLESS STEEL DRAW LATCH



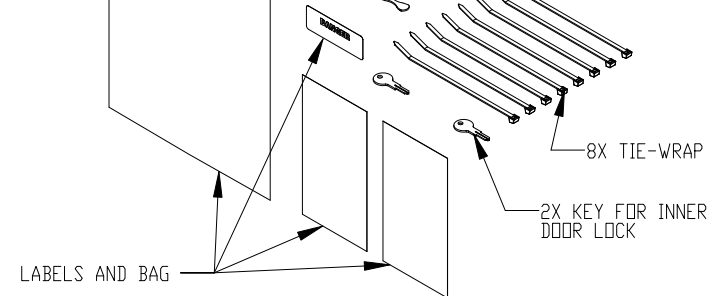
4X STAINLESS STEEL MOUNTING BRACKET
FIBERGLASS REINFORCED POLYESTER ENCLOSURE

4X VELCRO STRAP



2X INTERNAL/EXTERNAL 1/4-20 GROUND STUD

1.227



UNLESS OTHERWISE SPECIFIED DIMENSIONS ARE IN INCHES
TOLERANCES ARE:
FRACTIONS: DECIMALS: ANGLES:
±1/32 .005 ±.01 ±1°
XXX ±.010
ALL FLATS TO BE .005
NO SHARP EDGES OR BURRS ALLOWED
MATERIAL: SEE B.O.M.
FINISH: GRAY
DO NOT SCALE DRAWING

THIS DOCUMENT AND THE INFORMATION CONTAINED THEREIN ARE CONFIDENTIAL & PROPRIETARY TO MULTILINK AND MAY NOT BE COPIED OR DISCLOSED TO OTHERS WITHOUT A WRITTEN CONSENT FROM MULTILINK. THE INFORMATION IS TO BE PROMPTLY RETURNED TO MULTILINK UPON REQUEST.
DRAWN BY: SAB DATE: 07/24/12
CHECKED: DATE:
MFG ENG: DATE:
QUALITY ENG: DATE:

Multilink
FF-DCS-4X PATCH/SPLICE ENCL
SIZE B DWG. NO. 045-741-10 REF REV. 01
SCALE: 1:8 CAD FILE: 045-741-10 REF SHEET 1 OF 3