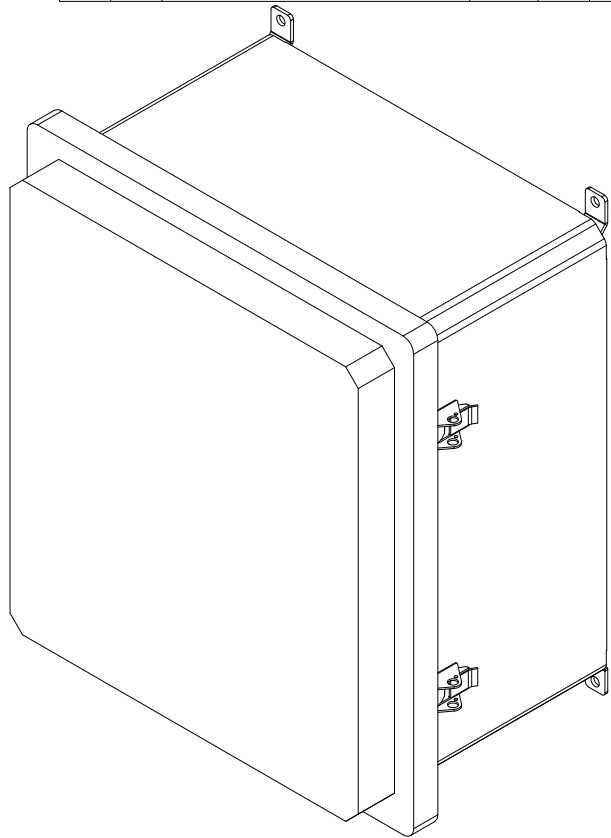
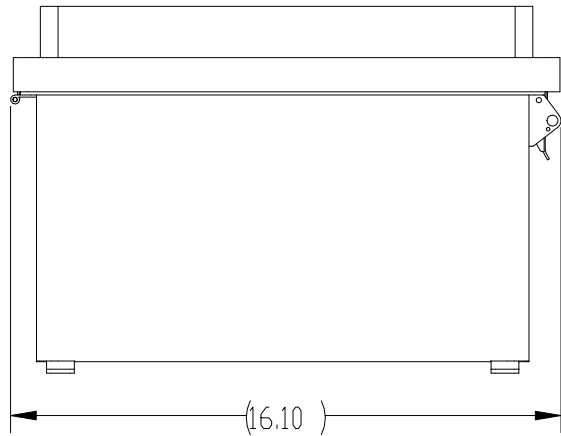
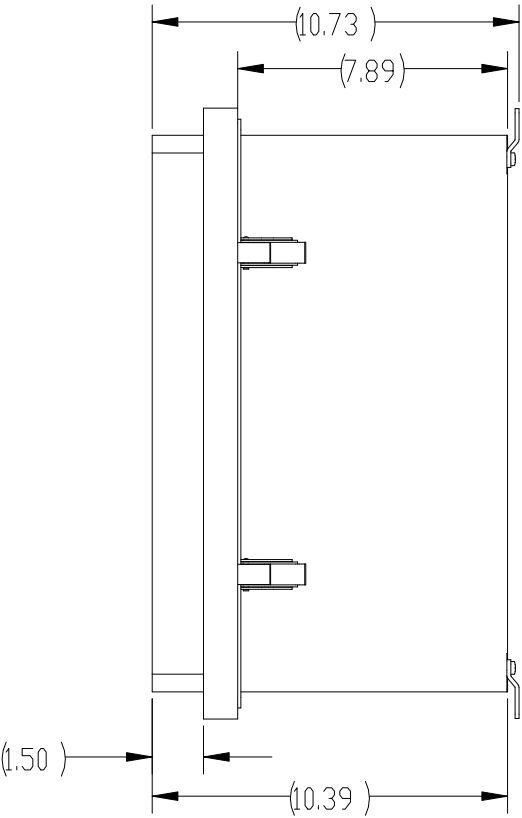
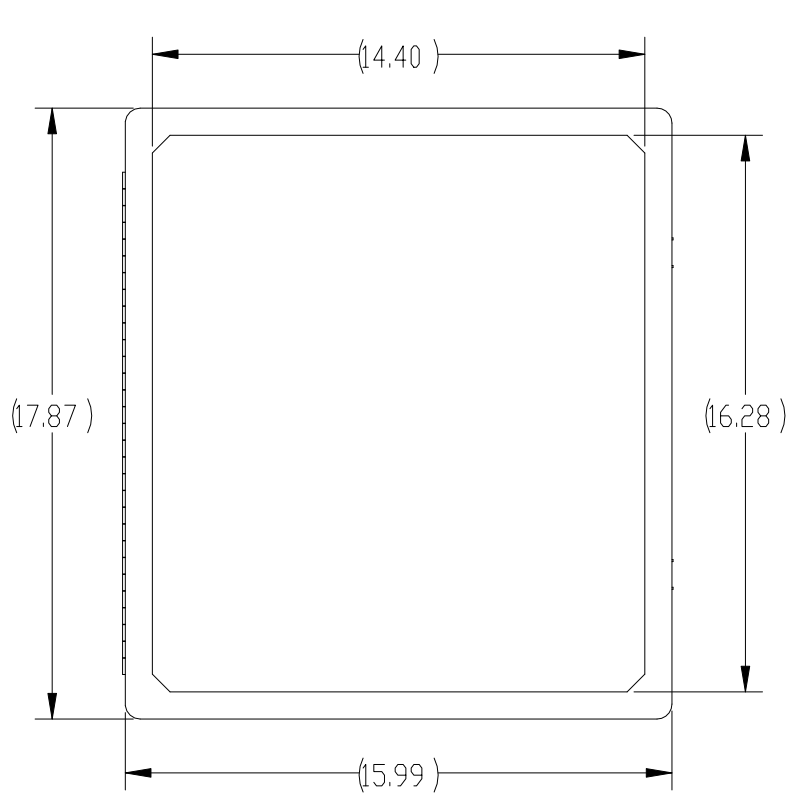


REV.	ECN #	DESCRIPTION OF CHANGE	DATE	BY	MFG ENG
01	N/A	INITIAL RELEASE		JR	
02	N/A	CREATE NEW REF DRAWING	11/01/12	SAB	



UNLESS OTHERWISE SPECIFIED DIMENSIONS ARE IN INCHES TOLERANCES ARE: FRACTIONS: ± 1/32 DECIMALS: .XXX ± .03 ANGLES: ± 1° XXX ± .010		THIS DOCUMENT AND THE INFORMATION CONTAINED THEREIN ARE CONFIDENTIAL & PROPRIETARY TO MULTILINK AND MAY NOT BE COPIED OR DISCLOSED TO OTHERS WITHOUT A WRITTEN CONSENT FROM MULTILINK. THE INFORMATION IS TO BE PROMPTLY RETURNED TO MULTILINK UPON REQUEST.		m utilink	
ALL FLATS TO BE .005		NO SHARP EDGES OR BURRS ALLOWED		FF-DCS36 ENCLOSURE CONNECTOR/SPLICE	
MATERIAL: SEE B.O.M.		FINISH: N/A		DRAWN BY: JR DATE: 12/06/06	
DO NOT SCALE DRAWING		QUALITY ENG:		CHECKED: DATE: MFG ENG: DATE: MFG ENG: DATE:	
				SCALE: 1/4 CAD FILE: 10-3338REF SHEET 1 OF 2	