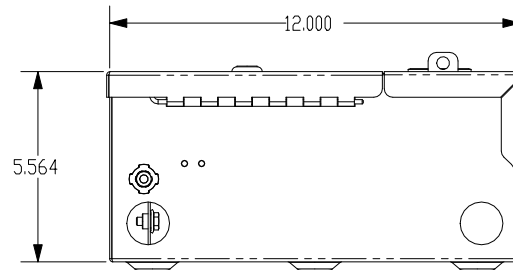
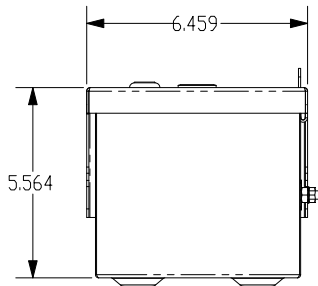
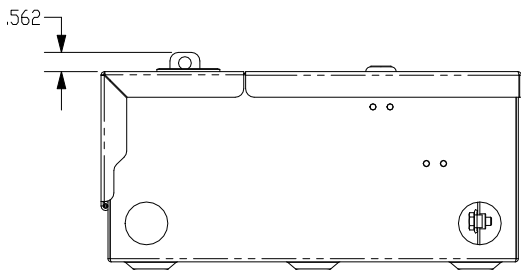
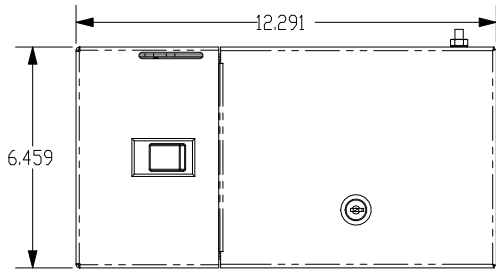
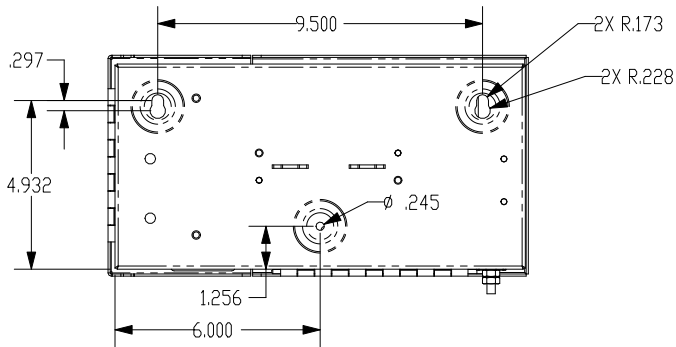
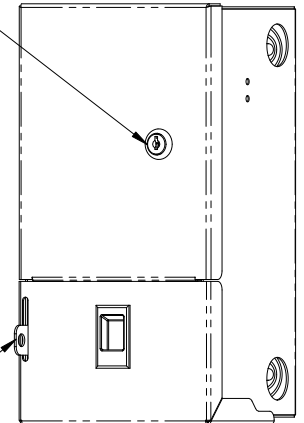


REV.	ECN #	DESCRIPTION OF CHANGE	DATE	BY	MFG ENG
01	N/A	INITIAL RELEASE		DM	

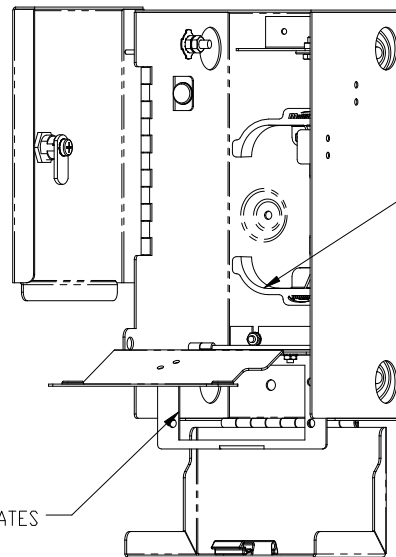


LOCKABLE DOOR

PADLOCK HASP



PROVISION FOR TWO ADAPTER PLATES



SLACK STORAGE SPOOL

UNLESS OTHERWISE SPECIFIED DIMENSIONS ARE IN INCHES TOLERANCES ARE: FRACTIONS: DECIMALS: ANGLES: ± 1/32 ± .03 ± 1° XXX ± .010		THIS DOCUMENT AND THE INFORMATION CONTAINED THEREIN ARE CONFIDENTIAL & PROPRIETARY TO MULTILINK AND MAY NOT BE COPIED OR DISCLOSED TO OTHERS WITHOUT A WRITTEN CONSENT FROM MULTILINK. THE INFORMATION IS TO BE PROMPTLY RETURNED TO MULTILINK UPON REQUEST.		m utilink	
ALL FLATS TO BE .005		DRAWN BY: DM DATE: 03/11/03		FF-WM-2X BK	
NO SHARP EDGES OR BURRS ALLOWED		CHECKED: DATE:			
MATERIAL: SEE B.O.M.		MFG ENG: DATE:			
FINISH: BLACK TEXTURED		QUALITY ENG: DATE:			
DO NOT SCALE DRAWING		SCALE: 1/4		DWG. NO. 10-4469-REF	
		CAD FILE: 10-4469-REF		REV. 01	
				1 OF 1	