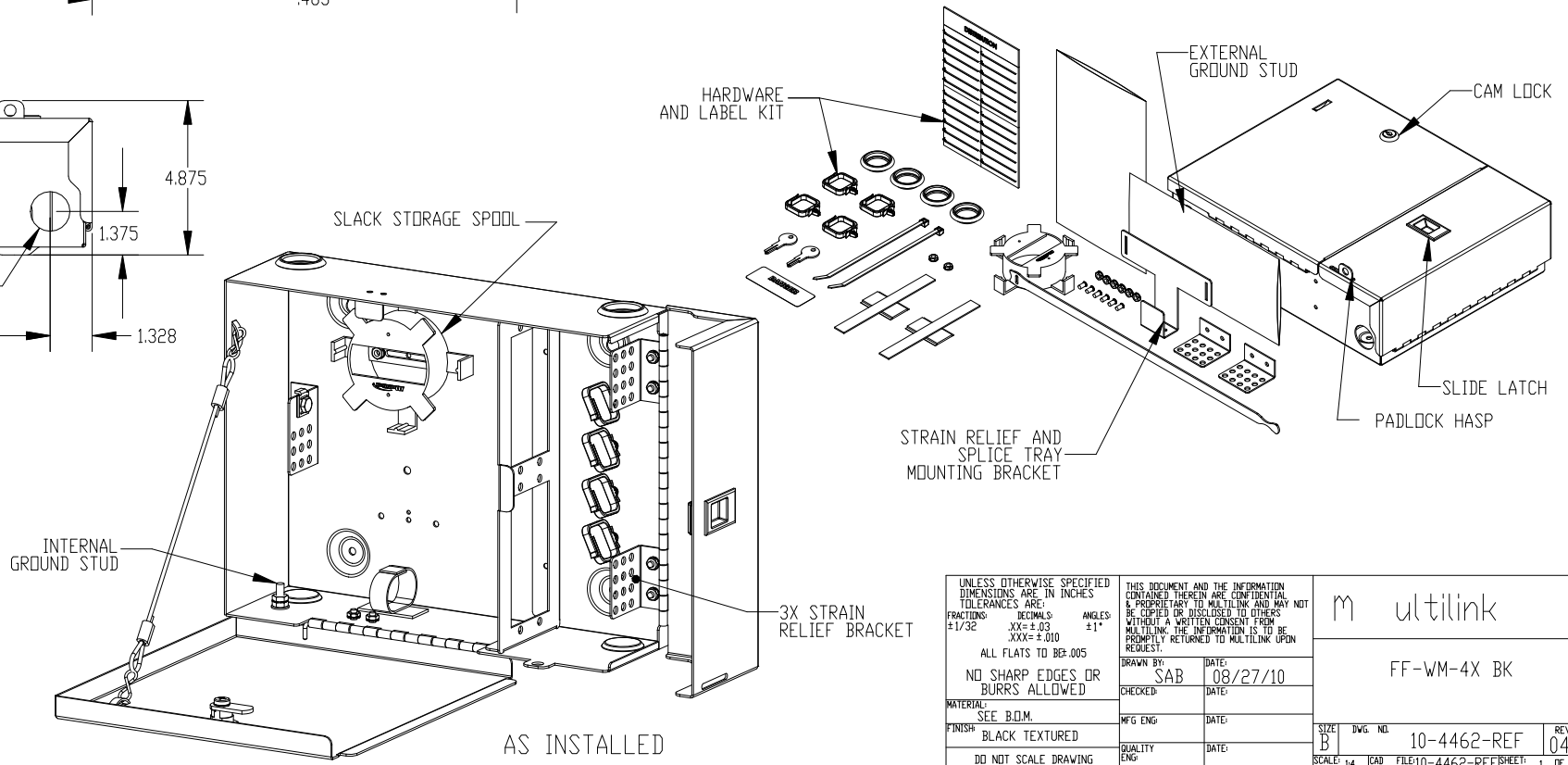
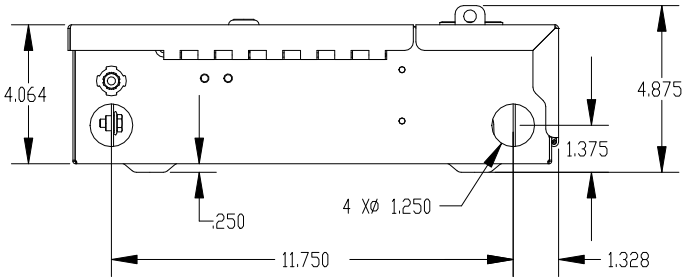
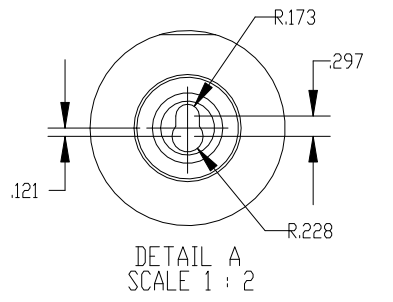
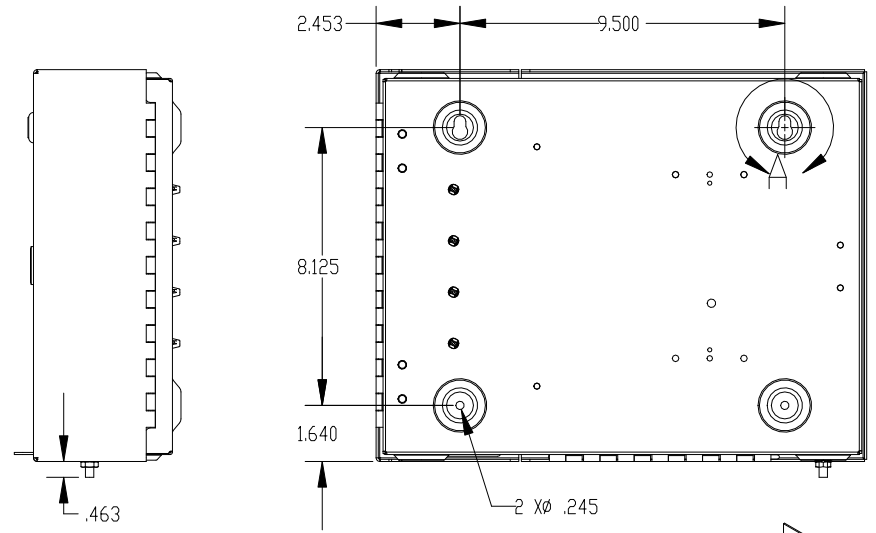
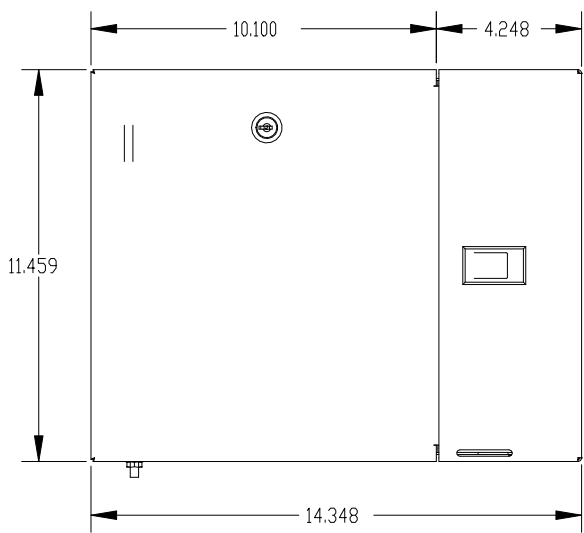


REV.	ECN #	DESCRIPTION OF CHANGE	DATE	BY	MFG ENG
04	N/A	INITIAL RELEASE	08/27/10	SAB	



UNLESS OTHERWISE SPECIFIED DIMENSIONS ARE IN INCHES TOLERANCES ARE: FRACTIONS: ±1/32 DECIMALS: .XXX = ±.03 .XXX = ±.010 ALL FLATS TO BE .005 NO SHARP EDGES OR BURRS ALLOWED		THIS DOCUMENT AND THE INFORMATION CONTAINED THEREIN ARE CONFIDENTIAL & PROPRIETARY TO MULTILINK AND MAY NOT BE COPIED OR DISCLOSED TO OTHERS WITHOUT A WRITTEN CONSENT FROM MULTILINK. THE INFORMATION IS TO BE PROMPTLY RETURNED TO MULTILINK UPON REQUEST.		m ultilink	
DRAWN BY: SAB		DATE: 08/27/10		FF-WM-4X BK	
MATERIAL: SEE B.O.M.		CHECKED: DATE:		SIZE: B	
FINISH: BLACK TEXTURED		MFG ENG: DATE:		DWG. NO: 10-4462-REF	
DO NOT SCALE DRAWING		QUALITY ENG: DATE:		REV. 04	
				SCALE: 1/4" CAD FILE: 10-4462-REF SHEET 1 OF 2	