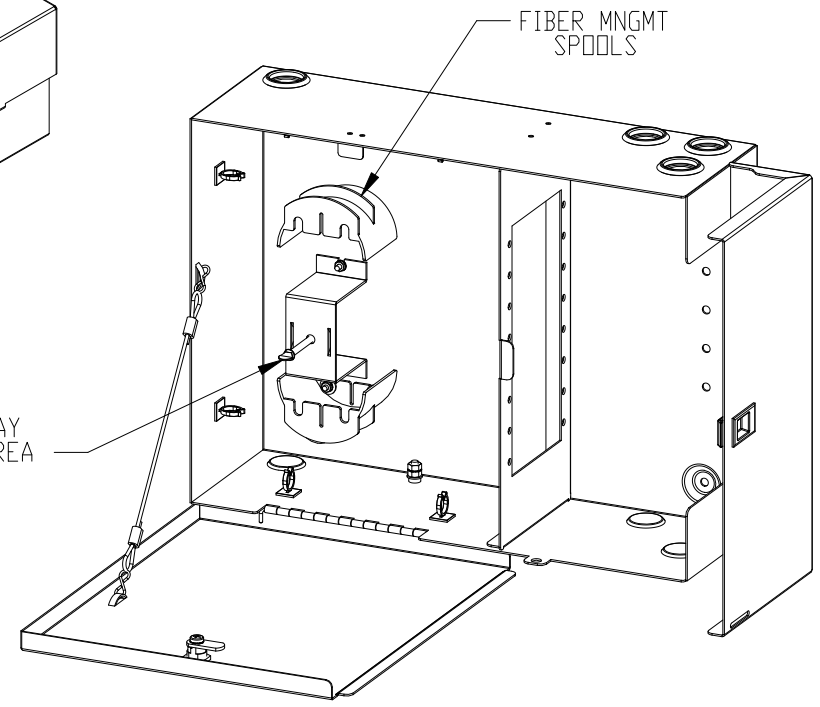
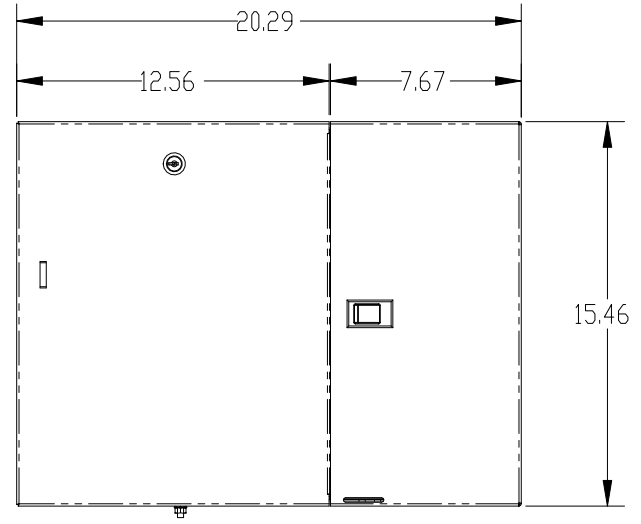
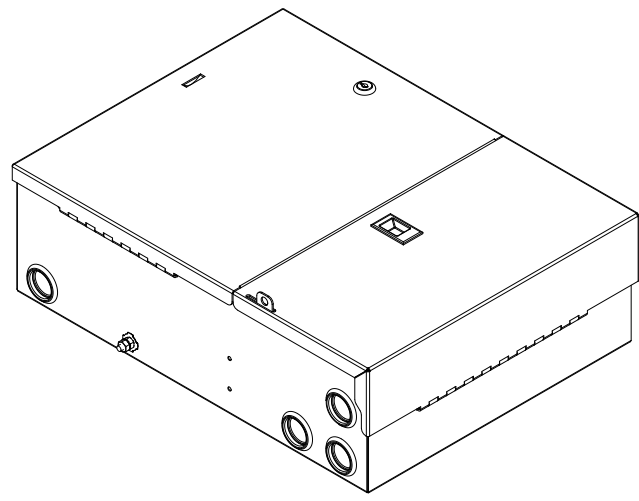
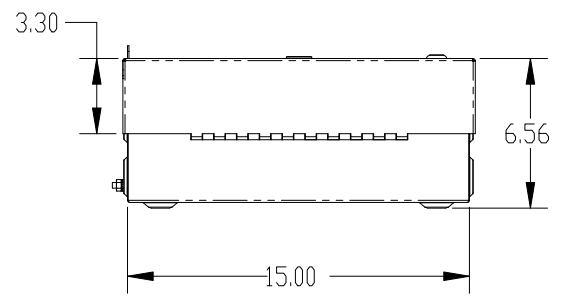
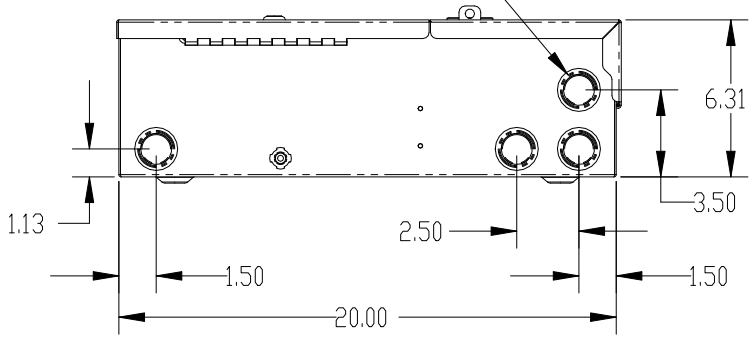


REV.	ECN #	DESCRIPTION OF CHANGE	DATE	BY	MFG ENG
01	N/A	INITIAL RELEASE	08/08/08	SAB	



4X Ø 1.375 HOLES  
W/PLASTIC PLUGS  
(TOP & BOTTOM)



UNLESS OTHERWISE SPECIFIED DIMENSIONS ARE IN INCHES TOLERANCES ARE: FRACTIONS: DECIMALS: ANGLES: ±1/32 ±.03 ±1° XXX ±.010		THIS DOCUMENT AND THE INFORMATION CONTAINED THEREIN ARE CONFIDENTIAL & PROPRIETARY TO MULTILINK AND MAY NOT BE COPIED OR DISCLOSED TO OTHERS WITHOUT A WRITTEN CONSENT FROM MULTILINK. THE INFORMATION IS TO BE PREMPTLY RETURNED TO MULTILINK UPON REQUEST.		m utilink	
ALL FLATS TO BE .005		DRAWN BY: SAB DATE: 06/13/2006		FF-WM-8X-BK	
NO SHARP EDGES OR BURRS ALLOWED		CHECKED: DATE:			
MATERIAL: SEE BOM		MFG ENG: DATE:			
FINISH: BLACK TEXTURED		QUALITY ENG: DATE:			
DO NOT SCALE DRAWING				SCALE: 1:55 CAD FILE: 045-030-10-REF SHEET 1 OF 1	