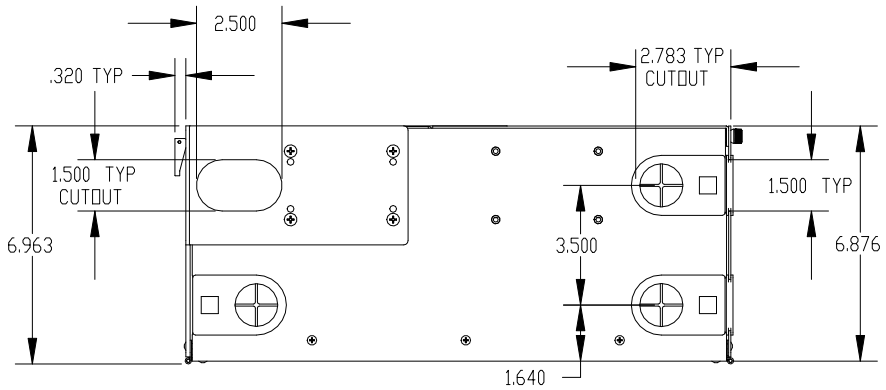
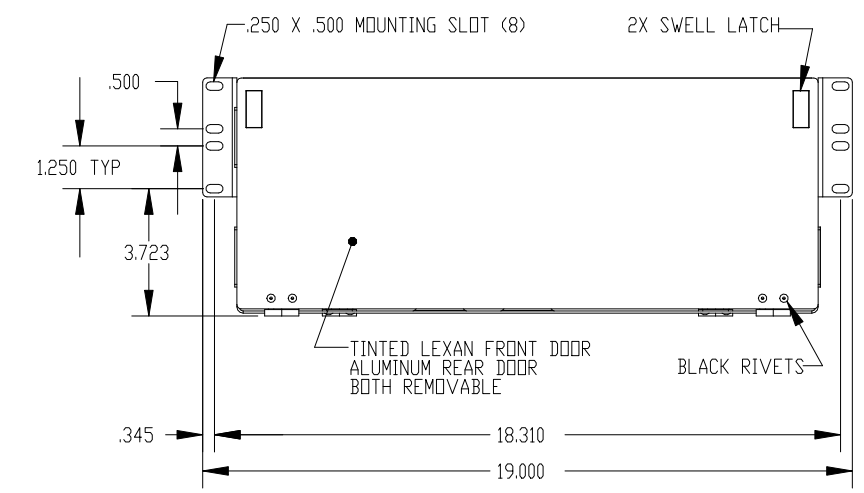
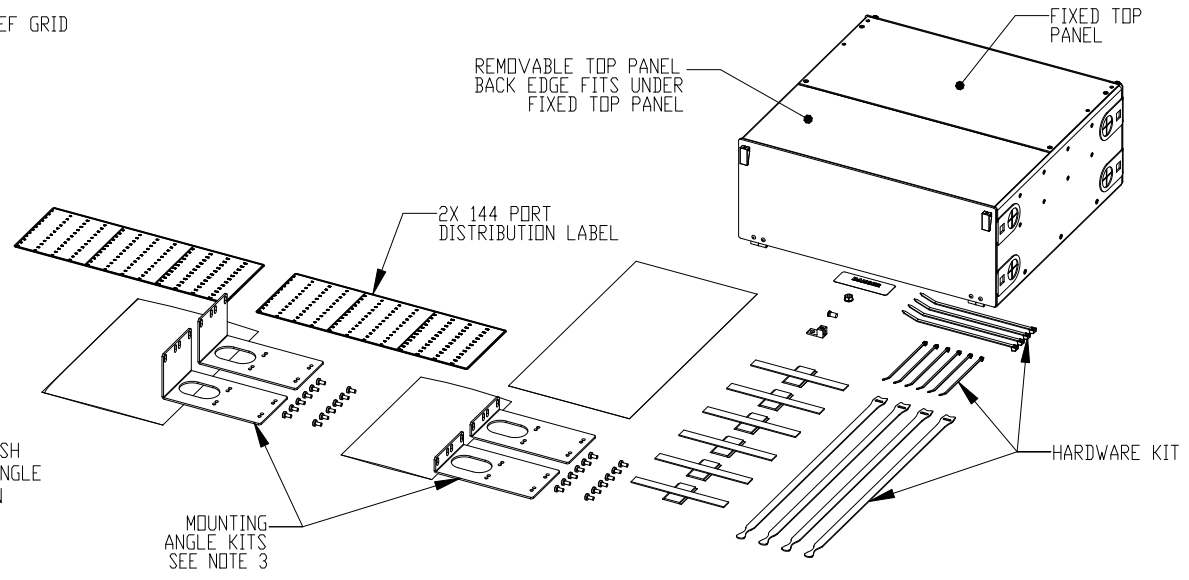
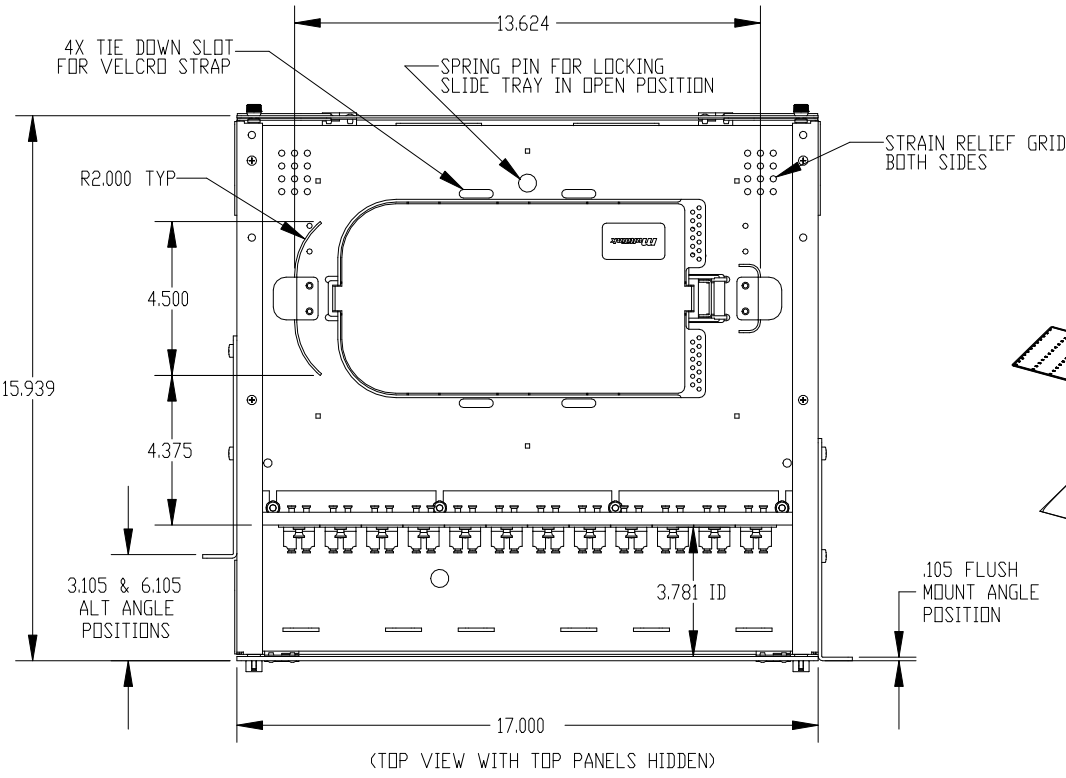


REV.	ECN #	DESCRIPTION OF CHANGE	DATE	BY	MFG ENG
01	N/A	INITIAL RELEASE	05/05/10	SAB	
03	N/A	UPDATED DRAWING	07/06/12	SAB	
04	2798	UPDATE REV FOR PAINT/PEM SPLIT	10/01/12	SAB	
05	3783	CHANGE GUIDES, HEIGHT, KITS	05/27/16	SAB	



- NOTES:
1. SPLICE TRAYS AND ADAPTER PANELS SHOWN FOR REFERENCE ONLY.
 2. ALSO AVAILABLE IN OFF-WHITE P/N 045-391-11.
 3. MOUNTING ANGLE KITS ARE SUPPLIED FOR 19 OR 23 INCH RACK, 19 INCH SHOWN ASSEMBLED.

UNLESS OTHERWISE SPECIFIED DIMENSIONS ARE IN INCHES TOLERANCES ARE:		THIS DOCUMENT AND THE INFORMATION CONTAINED THEREIN ARE CONFIDENTIAL & PROPRIETARY TO MULTILINK AND MAY NOT BE COPIED OR DISCLOSED TO OTHERS WITHOUT A WRITTEN CONSENT FROM MULTILINK. THE INFORMATION IS TO BE PROMPTLY RETURNED TO MULTILINK UPON REQUEST.			
FRACTIONS: ±1/32	DECIMALS: .XXX=±.03 .XXX=±.010	ANGLES: ±1°	ALL FLATS TO BE .005 NO SHARP EDGES OR BURRS ALLOWED		
MATERIAL: SEE B.O.M.		FINISH: BLACK TEXTURED		SCALE: 1/4	DWG. NO. 045-391-10REF REV. 05 CAD FILE: 045-391-10REF SHEET 1 OF 2