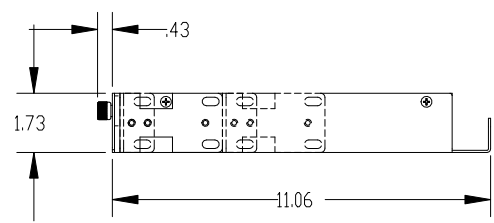
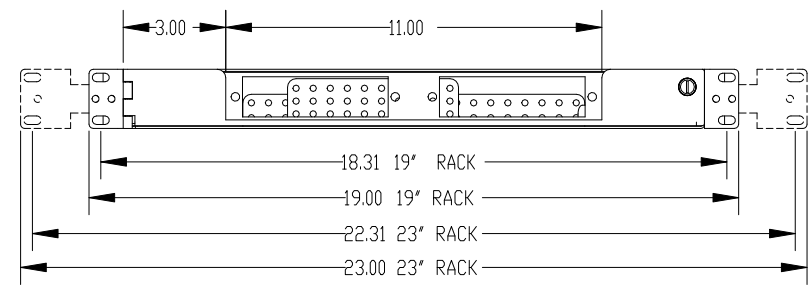
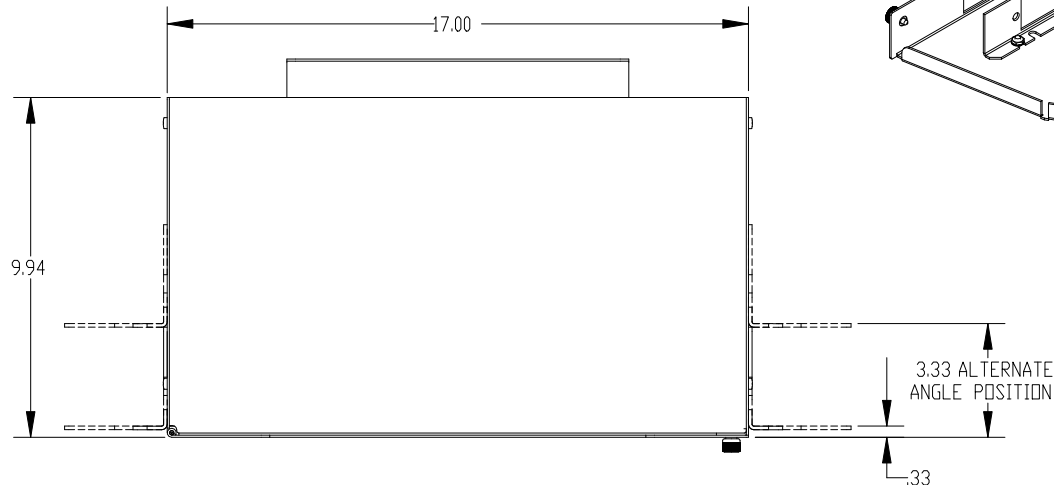
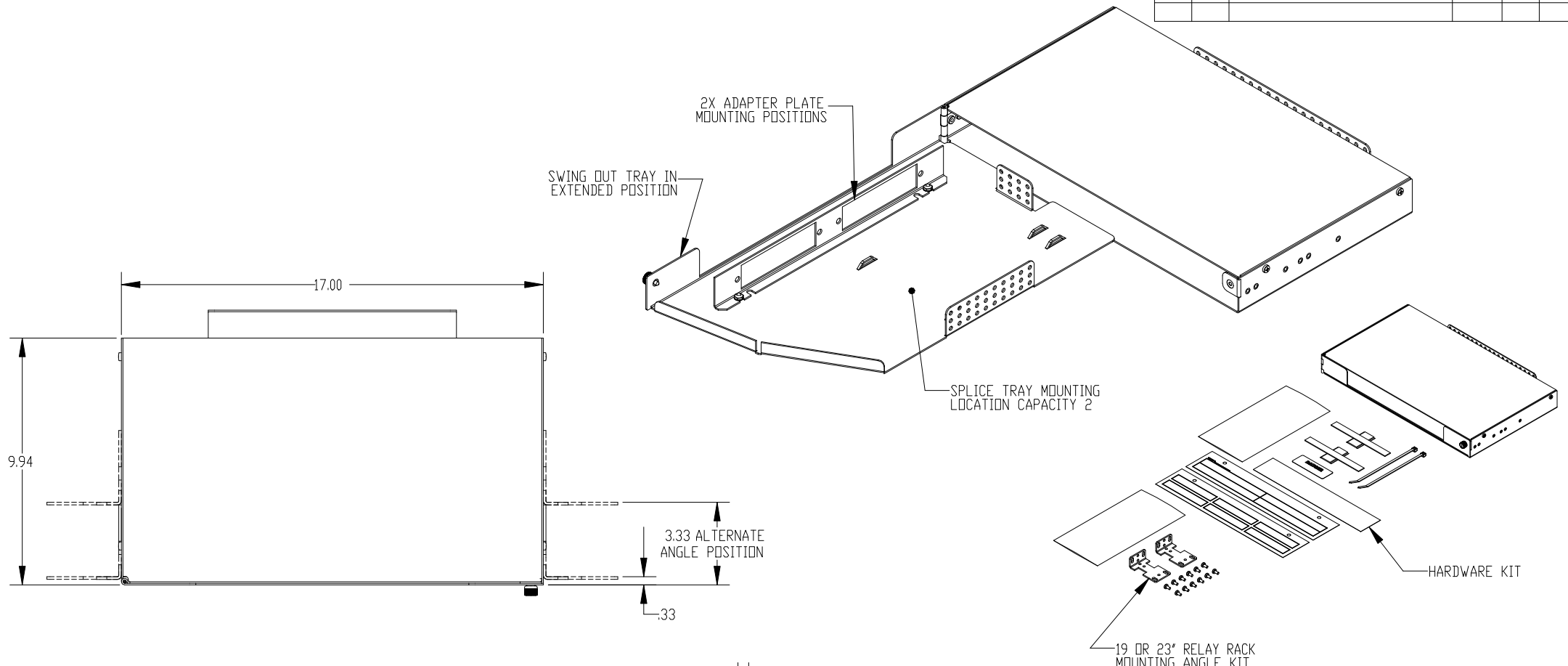


REV.	ECN #	DESCRIPTION OF CHANGE	DATE	BY	MFG ENG
03	N/A	INITIAL RELEASE	04/18/11	SAB	
04	N/A	UPDATE REVISION	10/21/13	SAB	
05	3775	UPDATE REVISION	02/26/16	SAB	



UNLESS OTHERWISE SPECIFIED DIMENSIONS ARE IN INCHES TOLERANCES ARE: DECIMALS: .010 FRACTIONS: ± 1/32 ANGLES: ± 1° XXX = ± .010		THIS DOCUMENT AND THE INFORMATION CONTAINED THEREIN ARE CONFIDENTIAL & PROPRIETARY TO MULTILINK AND MAY NOT BE COPIED OR DISCLOSED TO OTHERS WITHOUT A WRITTEN CONSENT FROM MULTILINK. THE INFORMATION IS TO BE PROMPTLY RETURNED TO MULTILINK UPON REQUEST.	
ALL FLATS TO BE .005		NO SHARP EDGES OR BURRS ALLOWED	
MATERIAL: SEE B.O.M.		FINISH: BLACK TEXTURED	
DO NOT SCALE DRAWING		SCALE: 1/4"	
DRAWN BY: DM		DATE: 02/24/2004	
CHECKED: [Signature]		DATE: [Blank]	
MFG ENG: [Blank]		DATE: [Blank]	
QUALITY ENG: [Blank]		DATE: [Blank]	
FRM-1RU-2X-S0 BK		SIZE: B	
DWG. NO. 10-4323REF		REV. 05	
SHEET 1 OF 1		CAD FILE: 10-4323REF	

Multilink