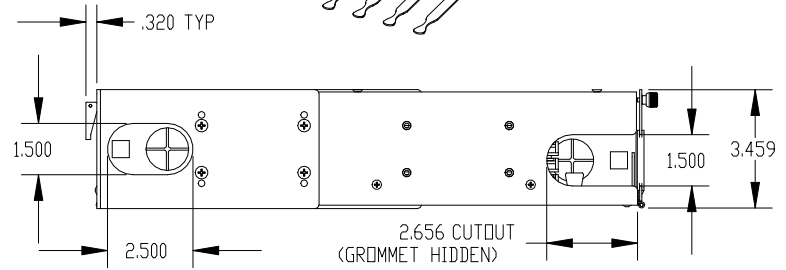
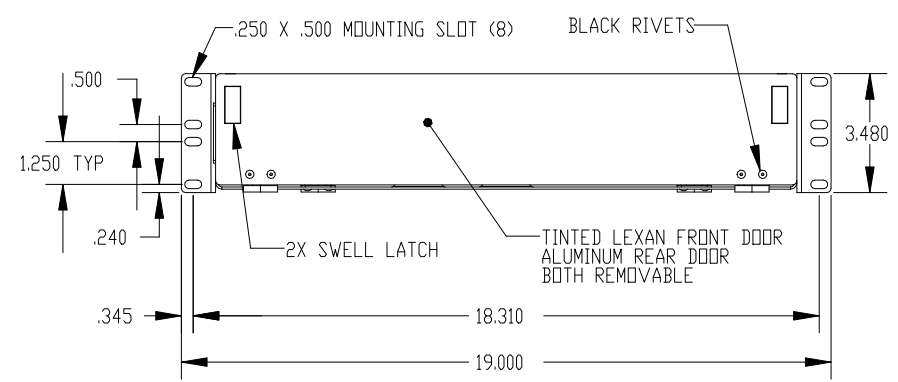
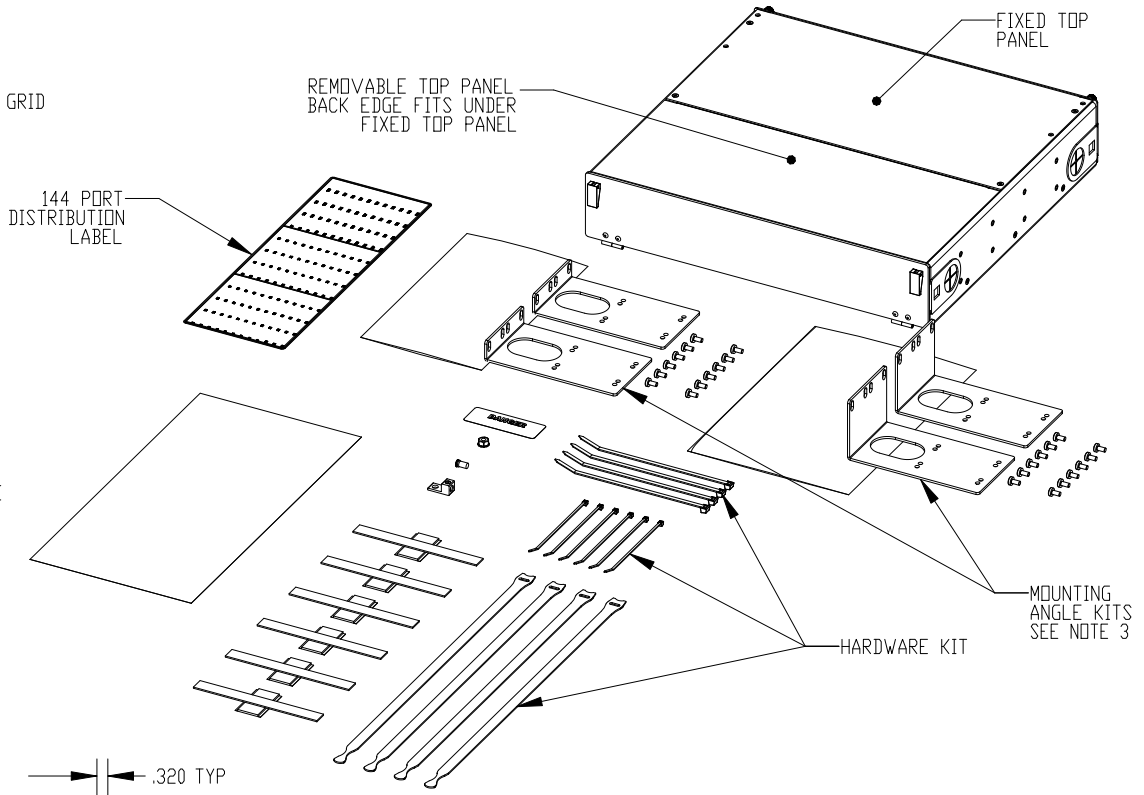
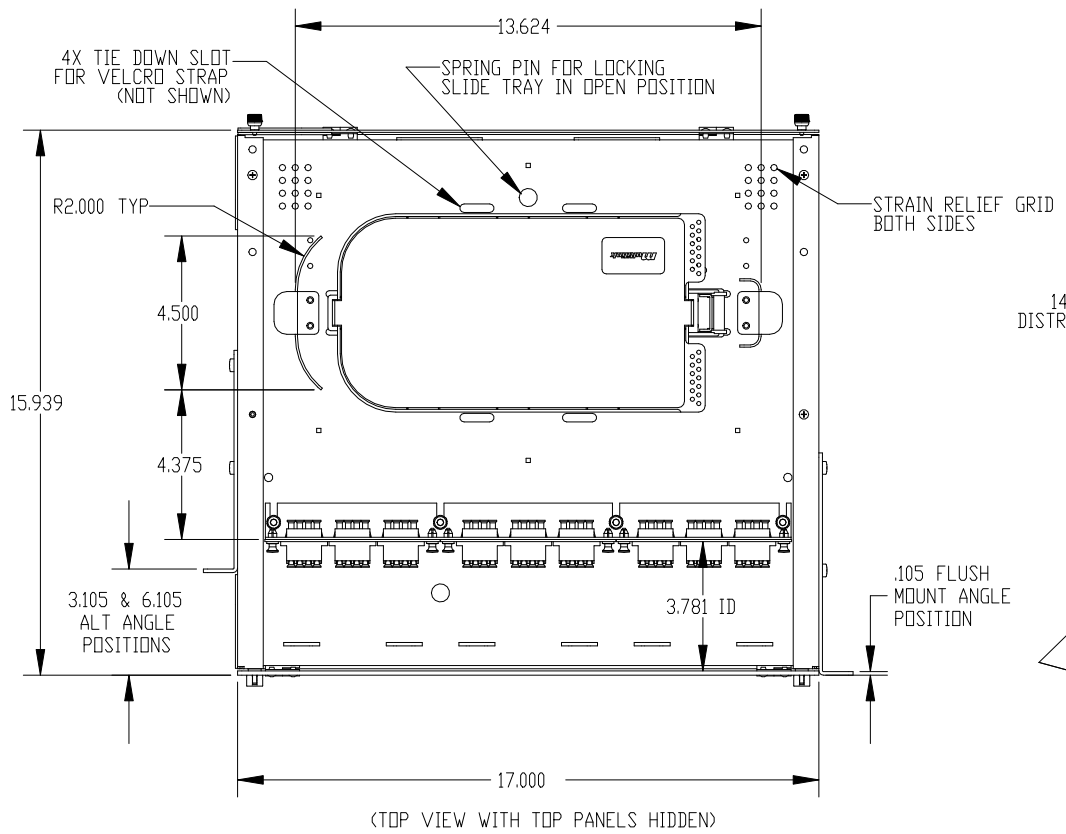


REV.	ECN #	DESCRIPTION OF CHANGE	DATE	BY	MFG ENG
01	N/A	INITIAL RELEASE	04/15/10	SAB	
05	N/A	UPDATED DRAWING	07/06/12	SAB	
06	2798	UPDATE REV FOR PAINT/PEM SPLI	09/28/12	SAB	
07	3783	CHANGE GUIDES, HEIGHT, KITS	05/25/16	SAB	



- NOTES:
1. SPLICE TRAYS AND ADAPTER PANELS SHOWN FOR REFERENCE ONLY.
 2. ALSO AVAILABLE IN OFF-WHITE P/N 045-382-11.
 3. MOUNTING ANGLE KITS ARE SUPPLIED FOR 19 OR 23 INCH RACK, 19 INCH SHOWN ASSEMBLED.

UNLESS OTHERWISE SPECIFIED DIMENSIONS ARE IN INCHES TOLERANCES ARE: FRACTIONS: ±1/32 DECIMALS: .XXX=±.03 XXX=±.010		THIS DOCUMENT AND THE INFORMATION CONTAINED THEREIN ARE CONFIDENTIAL & PROPRIETARY TO MULTILINK AND MAY NOT BE COPIED OR DISCLOSED TO OTHERS WITHOUT A WRITTEN CONSENT FROM MULTILINK. THE INFORMATION IS TO BE PROMPTLY RETURNED TO MULTILINK UPON REQUEST.		m utilink	
ALL FLATS TO BE .005		NO SHARP EDGES OR BURRS ALLOWED		FRM-2RU-6X-TS-HD BK	
MATERIAL: SEE B.O.M.		FINISH: BLACK TEXTURED		DRAWN BY: SAB DATE: 04/15/2010	
DO NOT SCALE DRAWING		QUALITY ENG:		CHECKED: DATE: MFG ENG: DATE: MFG ENG: DATE:	
				SCALE: 1/4 CAD FILE: 045-382-10REF SHEET 1 OF 2	