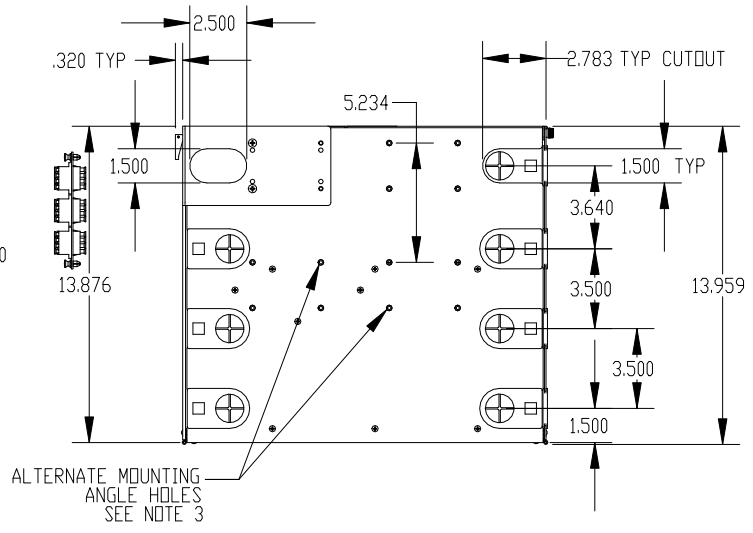
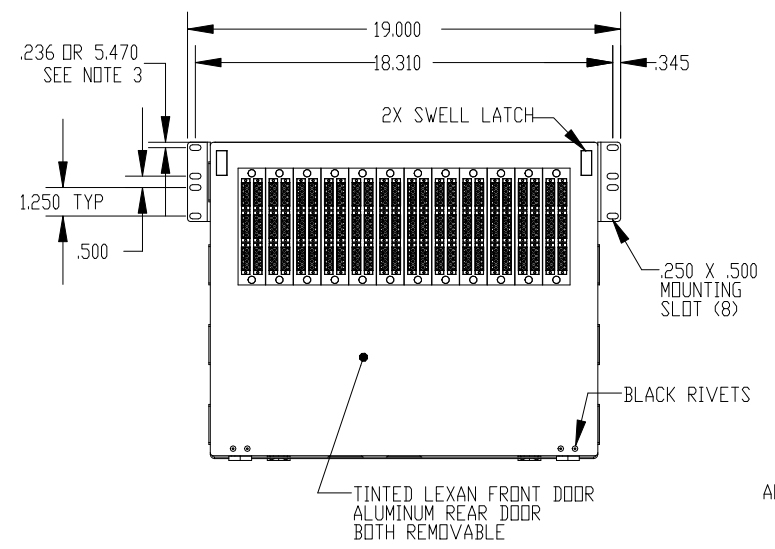
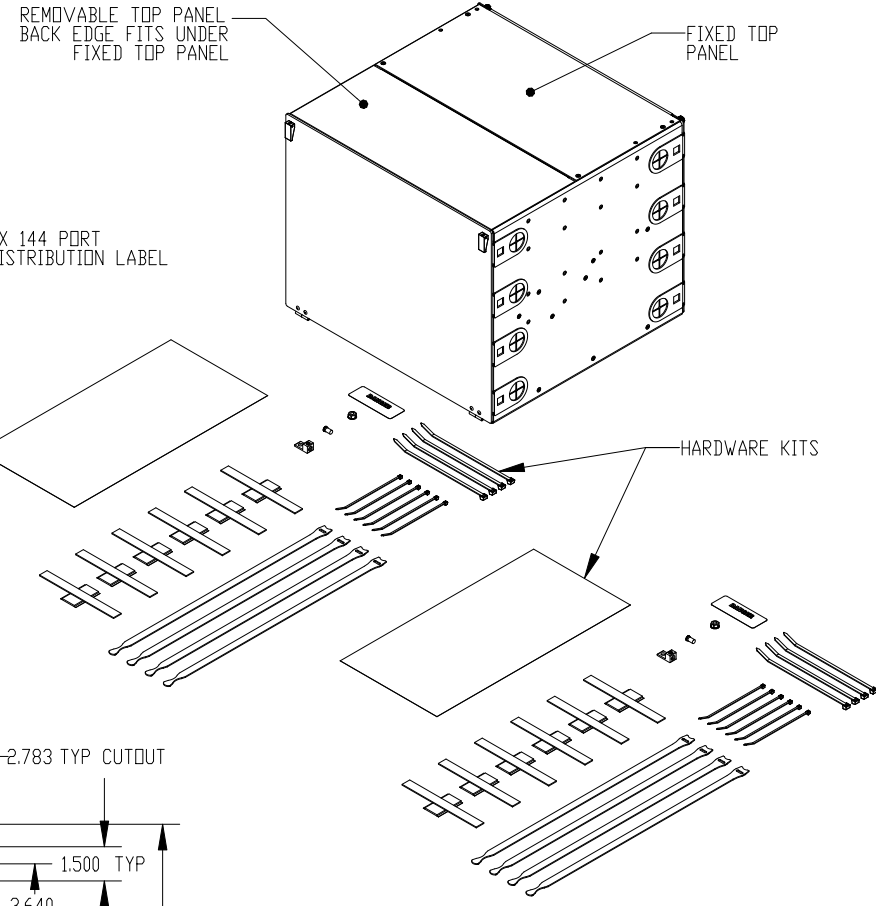
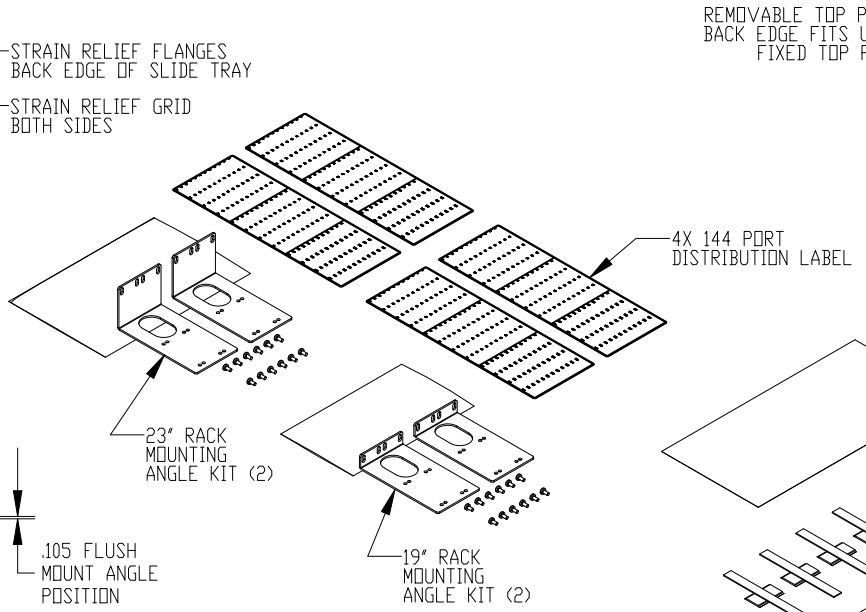
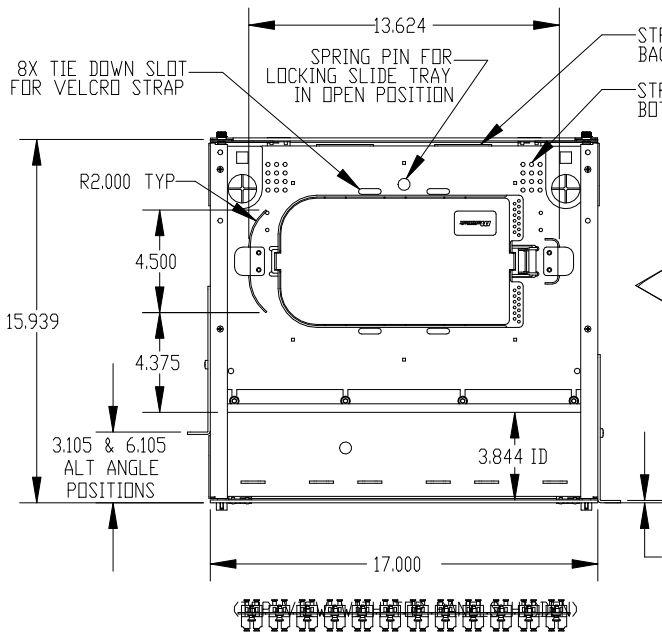


REV.	ECN #	DESCRIPTION OF CHANGE	DATE	BY	MFG ENG
01	N/A	INITIAL RELEASE	03/16/11	SAB	
02	2798	UPDATE REV FOR PAINT/PEM SPL	10/01/12	SAB	
03	N/A	UPDATE REF DRAWING	11/04/15	SAB	

NOTES:
 1. SPLICE TRAYS AND ADAPTER PANELS SHOWN FOR REFERENCE ONLY.
 2. MOUNTING ANGLES ARE PROVIDED FOR 19 OR 23 INCH RACK, 19 INCH SHOWN.
 3. MOUNTING ANGLES CAN BE LOCATED ALONG TOP AS SHOWN, OR IN CENTER OF SIDES.



UNLESS OTHERWISE SPECIFIED DIMENSIONS ARE IN INCHES TOLERANCES ARE: FRACTIONS: DECIMALS: ANGLES: ±1/32 .XXX ±.03 ±1° .XXX ±.010		THIS DOCUMENT AND THE INFORMATION CONTAINED THEREIN ARE CONFIDENTIAL & PROPRIETARY TO MULTILINK AND MAY NOT BE COPIED OR DISCLOSED TO OTHERS WITHOUT A WRITTEN CONSENT FROM MULTILINK. THE INFORMATION IS TO BE PROMPTLY RETURNED TO MULTILINK UPON REQUEST.		m ultilink	
ALL FLATS TO BE .005 NO SHARP EDGES OR BURRS ALLOWED		DRAWN BY: SAB DATE: 03/16/2011		FRM-8RU-24X-TS-HD BK	
MATERIAL: SEE B.O.M.		CHECKED: DATE:		SIZE: B	
FINISH: BLACK TEXTURED		MFG ENG: DATE:		DWG. NO: 045-583-10REF	
DO NOT SCALE DRAWING		QUALITY ENG: DATE:		REV: 03	
				SCALE: 1/6	CAD FILE: 045-583-10REF SHEET 1 OF 2