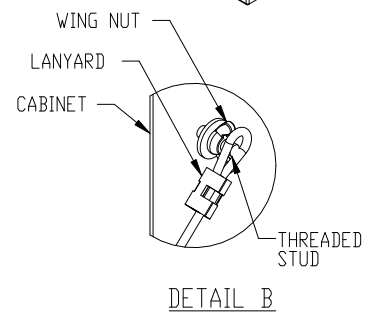
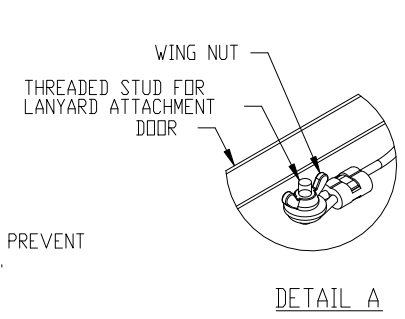
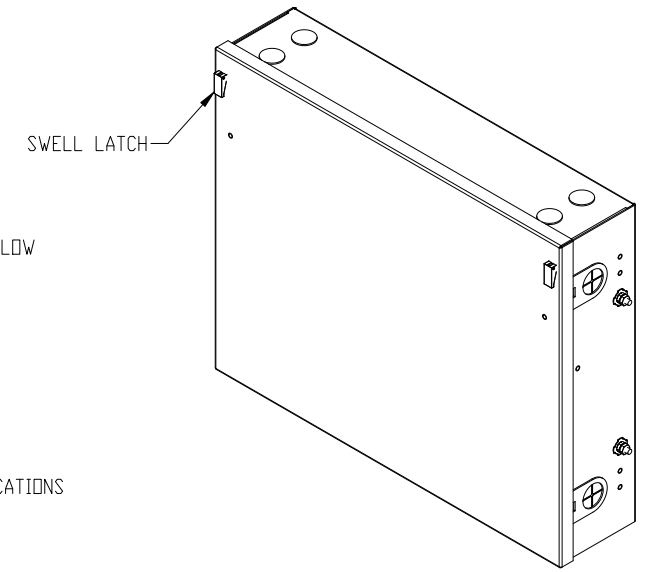
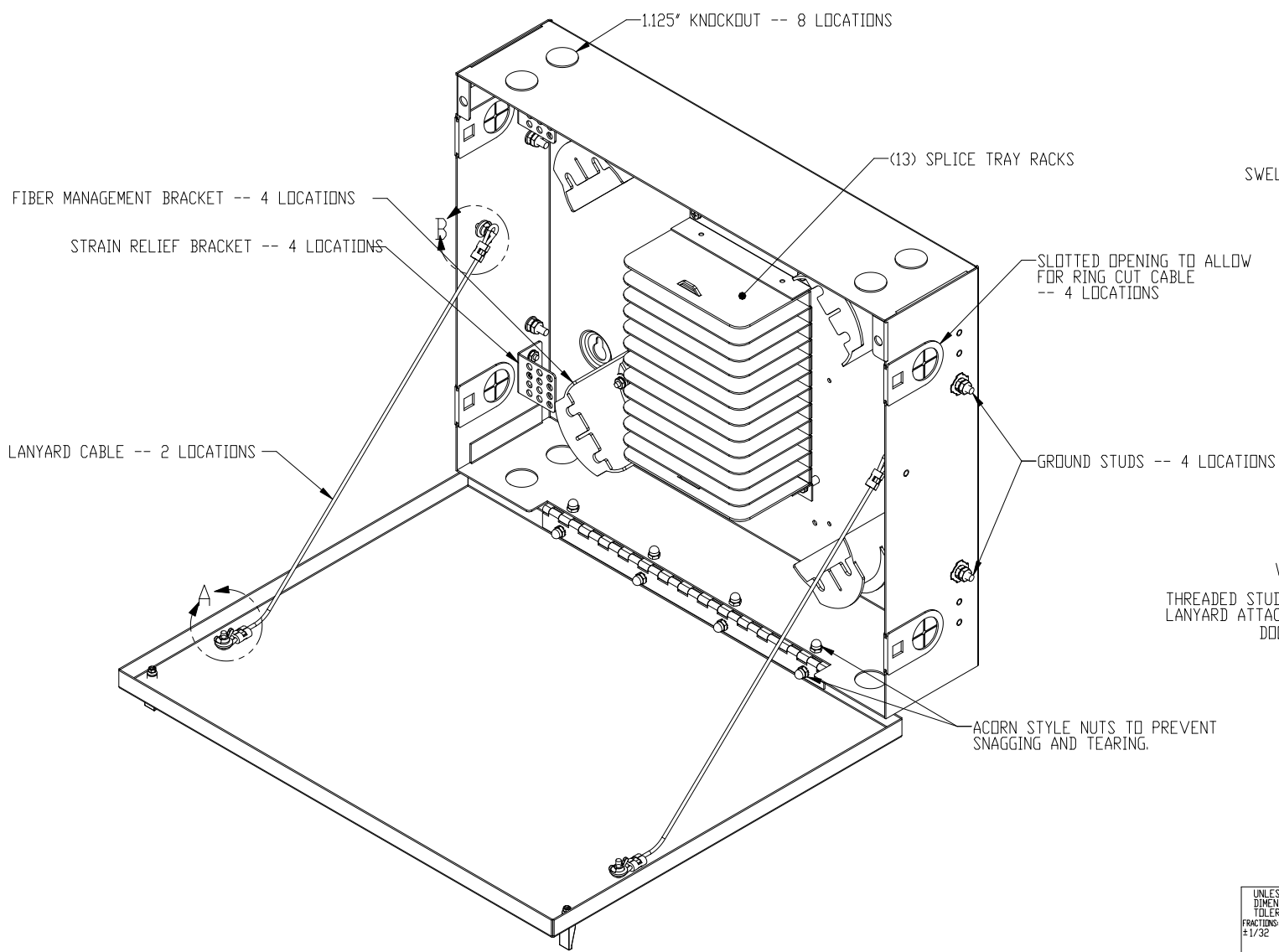


REV.	ECN #	DESCRIPTION OF CHANGE	DATE	BY	MFG ENG
01	N/A	INITIAL RELEASE	01/21/13	CN	
02	2944	MOVED STRAIN RELIEF TO SIDE WALL	03/06/13	CN	
03	3030	ADDRESSED EMAIL DATED 03/28/13	04/26/13	CN	
04	3066	SEE ECN FOR DETAILS	07/17/13	CN	



UNLESS OTHERWISE SPECIFIED DIMENSIONS ARE IN INCHES		TOLERANCES ARE:		DECIMALS		ANGLES	
± 1/32		XXX = ± .010		± 1°			
ALL FLATS TO BE .005							
NO SHARP EDGES OR BURRS ALLOWED							
MATERIAL: SEE B.O.M.							
FINISH: BLACK TEXTURED							
DO NOT SCALE DRAWING							
THIS DOCUMENT AND THE INFORMATION CONTAINED THEREIN ARE CONFIDENTIAL & PROPRIETARY TO MULTILINK AND MAY NOT BE COPIED OR DISCLOSED TO OTHERS WITHOUT A WRITTEN CONSENT FROM MULTILINK. THE INFORMATION IS TO BE PROMPTLY RETURNED TO MULTILINK UPON REQUEST.				DRAWN BY: CN		DATE: 01/21/13	
				CHECKED:		DATE:	
				MFG ENG:		DATE:	
				QUALITY ENG:		DATE:	
m		utilink		FWE-288XH-BK W/SPLICE TRAY RACK & SINGLE DOOR		REV. 04	
SIZE: B	DWG. NO: 045-771-10REF	SCALE: 1/4	CAD FILE: 045-771-10REF	SHEET: 1	OF: 3		