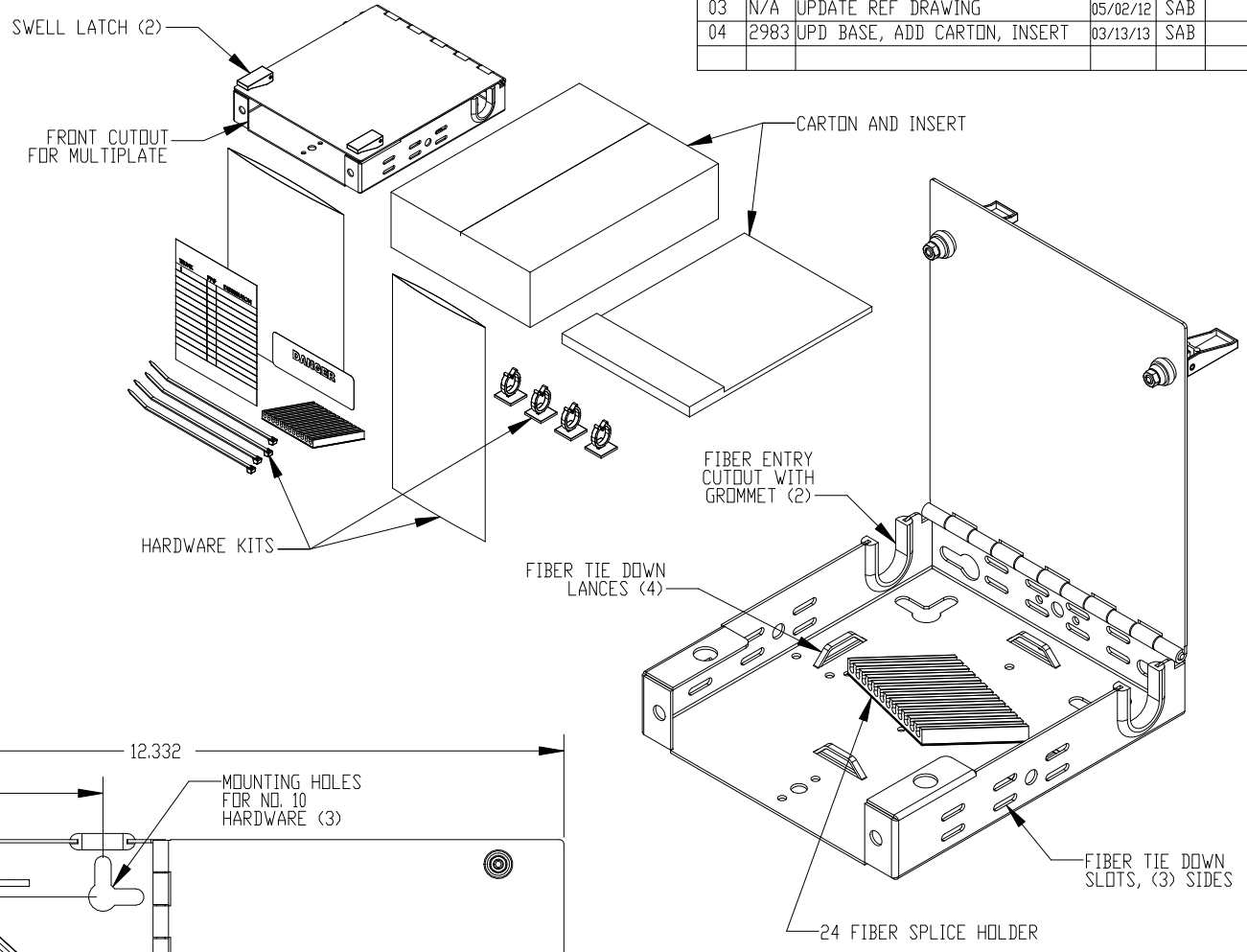
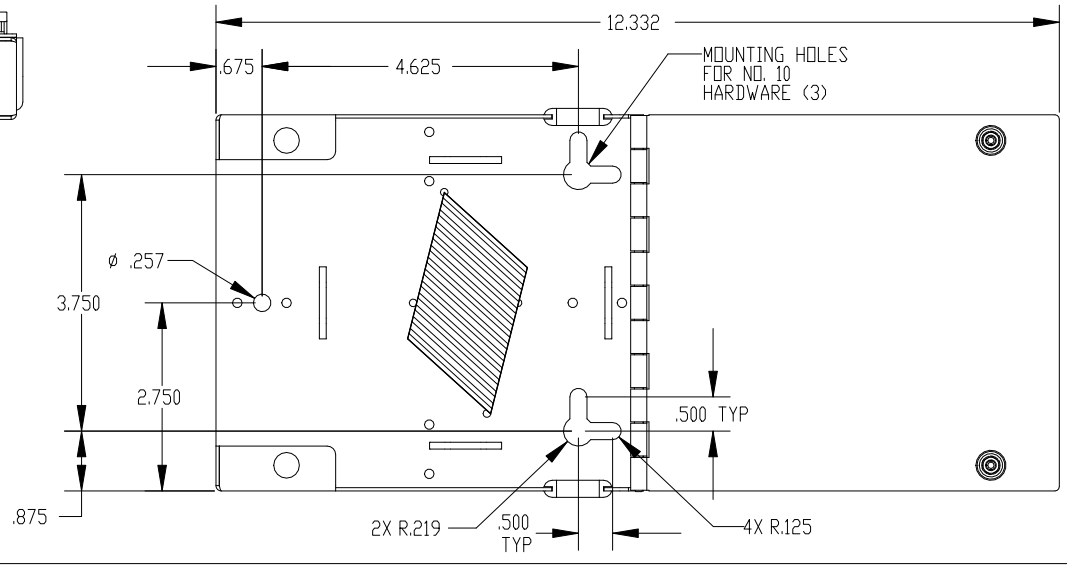
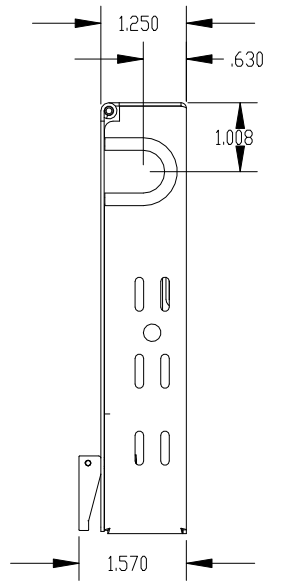
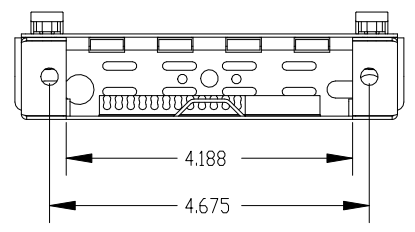
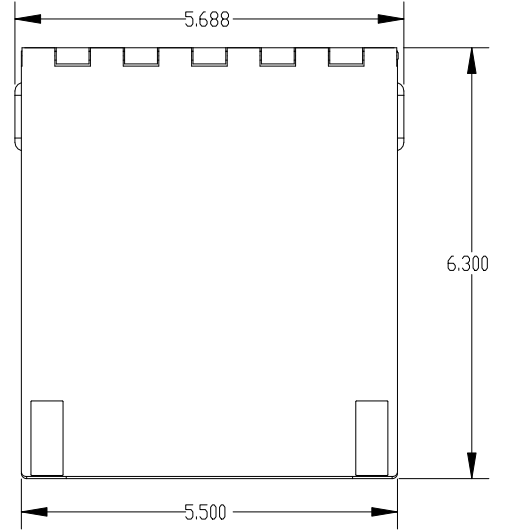
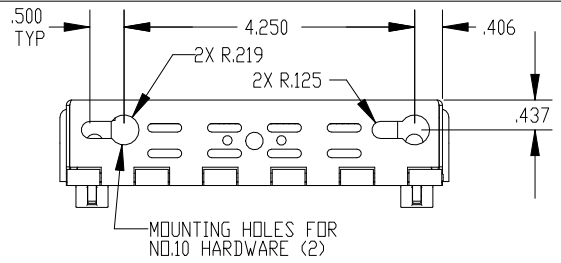


REV.	ECN #	DESCRIPTION OF CHANGE	DATE	BY	MFG ENG
01	N/A	INITIAL RELEASE	10/20/08	SAB	
03	N/A	UPDATE REF DRAWING	05/02/12	SAB	
04	2983	UPD BASE, ADD CARTON, INSERT	03/13/13	SAB	



NOTES:
1. ALSO AVAILABLE IN OFF WHITE, P/N 045-187-11.

UNLESS OTHERWISE SPECIFIED DIMENSIONS ARE IN INCHES TOLERANCES ARE: FRACTIONS: DECIMALS: ANGLES: ±1/32 .001 ±.03 ±1° XXX ±.010		THIS DOCUMENT AND THE INFORMATION CONTAINED THEREIN ARE CONFIDENTIAL & PROPRIETARY TO MULTILINK AND MAY NOT BE COPIED OR DISCLOSED TO OTHERS WITHOUT A WRITTEN CONSENT FROM MULTILINK. THE INFORMATION IS TO BE PROMPTLY RETURNED TO MULTILINK UPON REQUEST.		m utilink	
ALL FLATS TO BE .005 NO SHARP EDGES OR BURRS ALLOWED		DRAWN BY: DATE: SAB 10/20/2008		FWM-1X-SP-BK W/ SPLICE CHIP	
MATERIAL: SEE B.O.M.		CHECKED: DATE:		SIZE: DWG. NO. 045-187-10REF REV. 04	
FINISH: BLACK TEXTURED		MFG ENG: DATE:		SCALE: 1/2 CAD FILE: 045-187-10REF SHEET 1 OF 1	
DO NOT SCALE DRAWING		QUALITY ENG: DATE:			