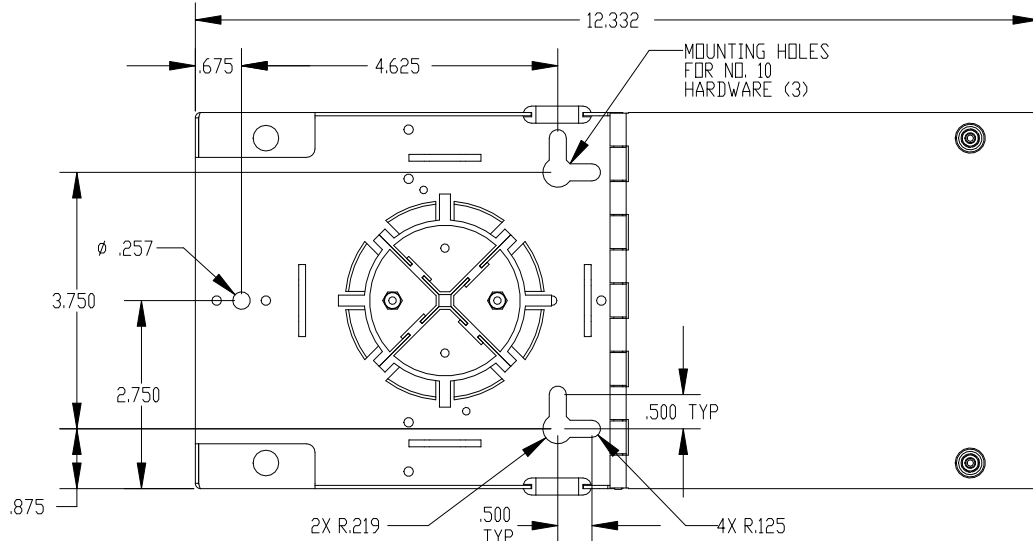
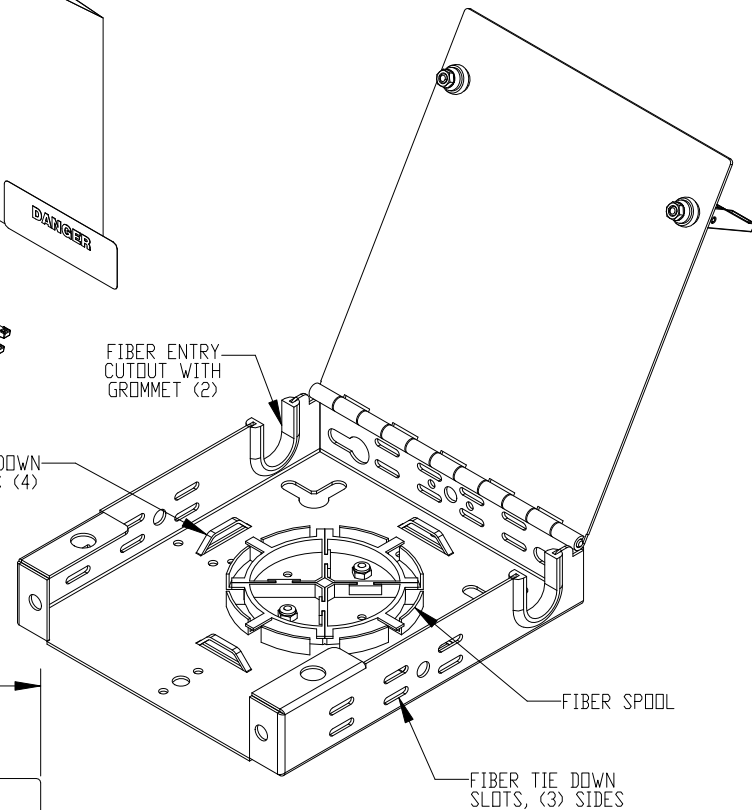
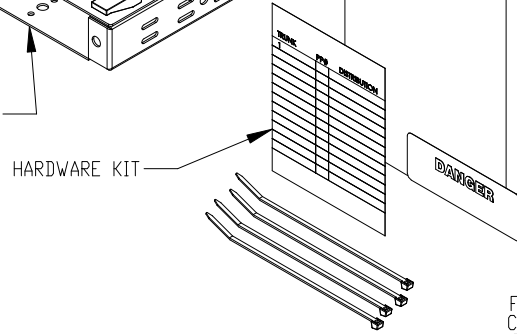
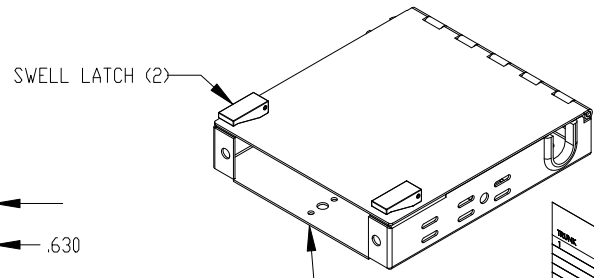
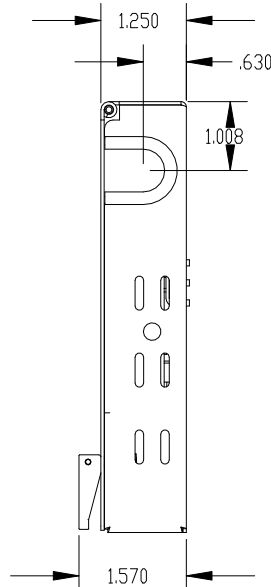
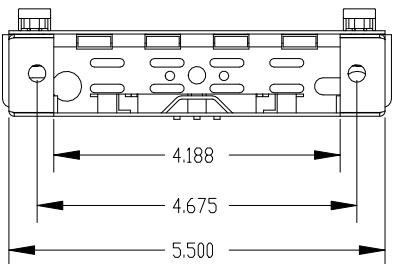
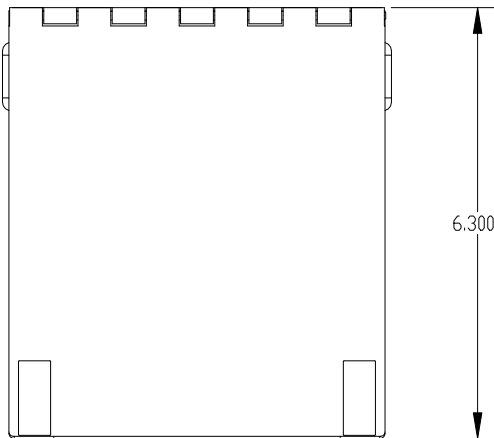
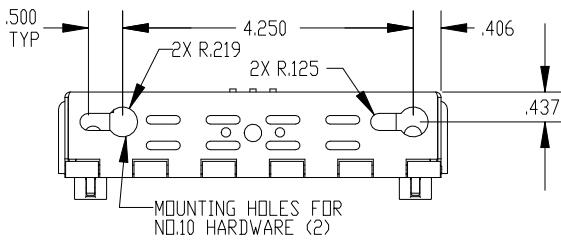


REV.	ECN #	DESCRIPTION OF CHANGE	DATE	BY	MFG ENG
01	N/A	INITIAL RELEASE	10/20/08	SAB	
02	2636	UPDATE BASE	05/02/12	SAB	
03	2983	UPD BASE, ADD CARTON, INSERT	03/12/13	SAB	
04	N/A	UPDATE REF DRAWING	11/06/15	SAB	



NOTES:
1. ALSO AVAILABLE IN OFF WHITE, P/N 045-164-11.

UNLESS OTHERWISE SPECIFIED DIMENSIONS ARE IN INCHES TOLERANCES ARE: FRACTIONS: ±1/32 DECIMALS: .XXX ± .03 ANGLES: ±1° ALL FLATS TO BE .005 NO SHARP EDGES OR BURRS ALLOWED		THIS DOCUMENT AND THE INFORMATION CONTAINED THEREIN ARE CONFIDENTIAL & PROPRIETARY TO MULTILINK AND MAY NOT BE COPIED OR DISCLOSED TO OTHERS WITHOUT A WRITTEN CONSENT FROM MULTILINK. THE INFORMATION IS TO BE PROMPTLY RETURNED TO MULTILINK UPON REQUEST.		m ultilink	
DRAWN BY: SAB		DATE: 06/04/2008		FWM-1X-BK W/ SPOOL	
MATERIAL: SEE B.O.M.		MFG ENG: DATE:		SIZE: B	
FINISH: BLACK TEXTURED		QUALITY ENG: DATE:		DWG. NO. 045-164-10REF	
DO NOT SCALE DRAWING		SCALE: 1/2		REV. 04	
		CAD FILE: 045-164-10REF		SHEET 1 OF 1	