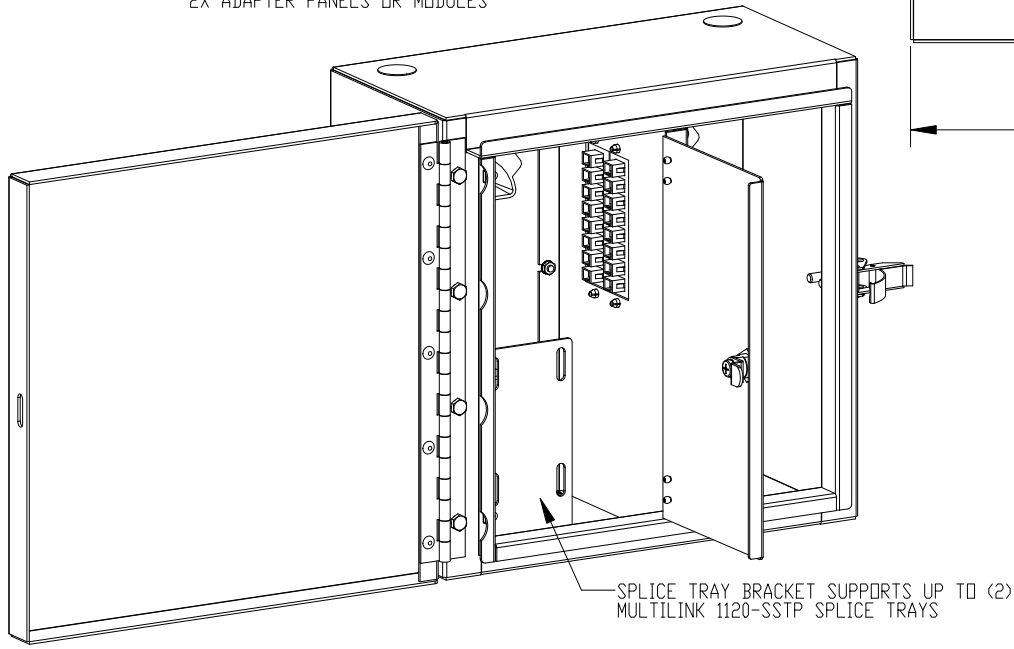
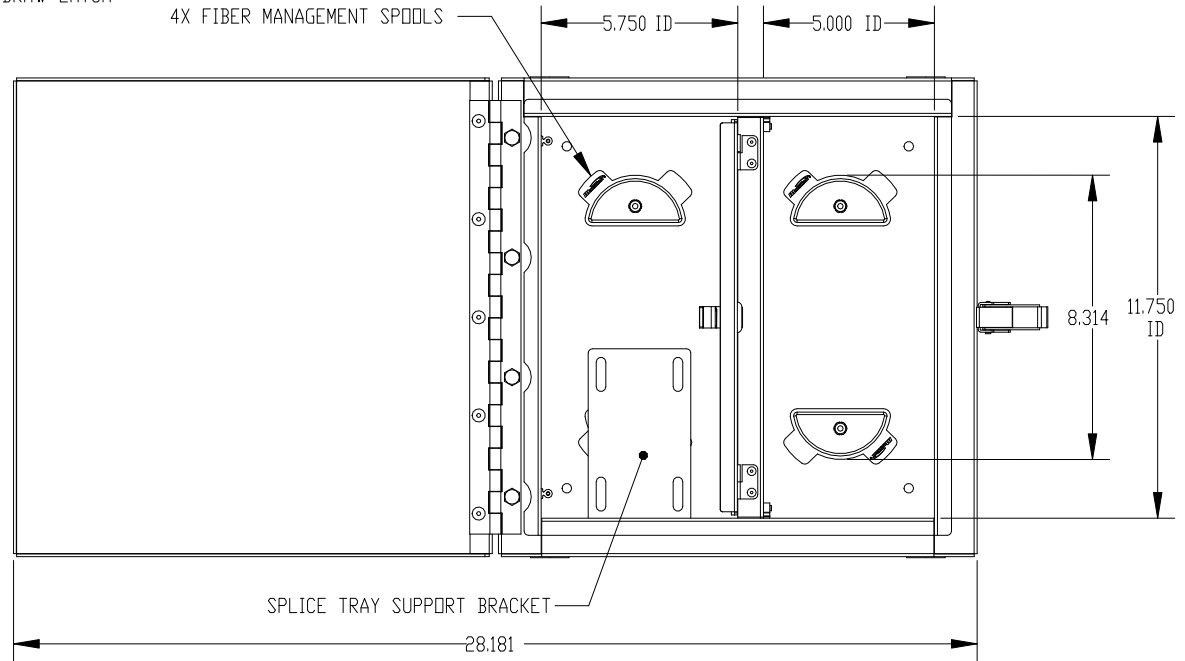
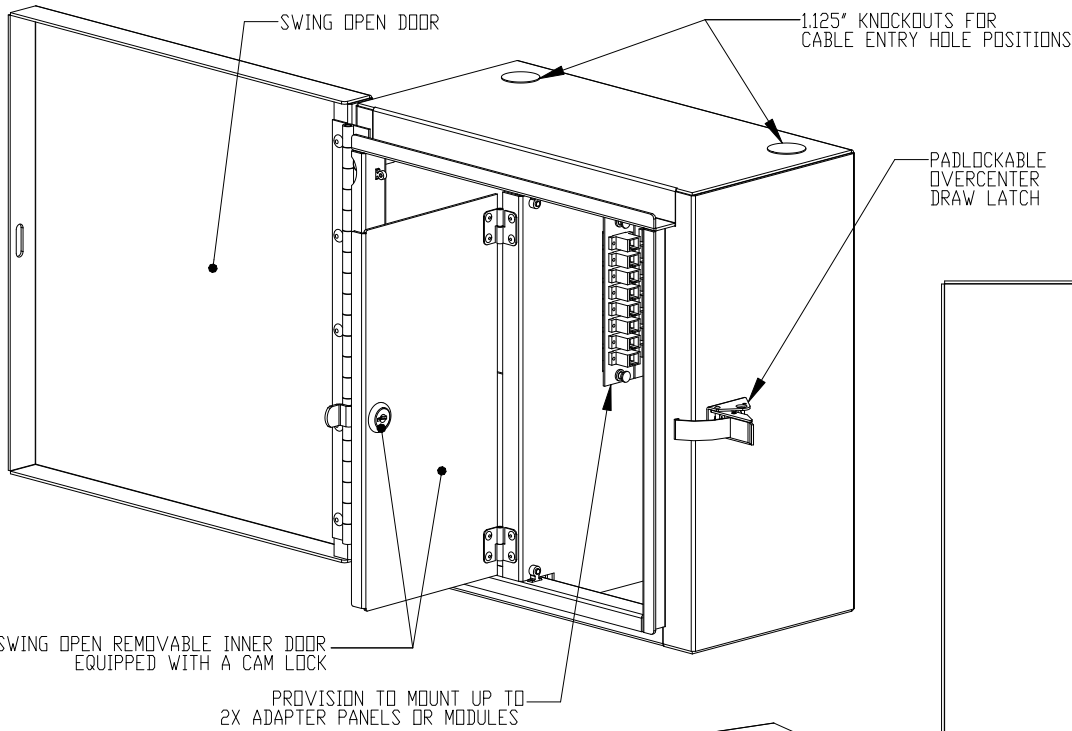


REV.	ECN #	DESCRIPTION OF CHANGE	DATE	BY	MFG ENG
05	2477	VARIOUS UPDATES	11/08/11	SAB	
06	2767	UPDATE PACKING	08/29/12	SAB	
07	2815	UPDATE HARDWARE	10/17/12	TT	
08	3190	ADD INSTALLATION PROCEDURE	10/24/13	SAB	



- NOTES:
1. ENCLOSURE CONSTRUCTED OUT OF DURABLE & CORROSION RESISTANT 3003 ALUMINUM.
  2. STAINLESS STEEL DOOR HINGES.
  3. COMPLETELY WELDED CONSTRUCTION FOR HIGHER STRENGTH AND SEALING.
  4. ENCLOSURE AS SHOWN ON THIS SHEET IS NEMA TYPE1 COMPLIANT AS ORDERED BY P/N 045-060-10. SEE SHEET 2 FOR INCLUDED ACCESSORIES.
  5. AVAILABLE IN SANDSTONE UL LISTED #20-8256HY.
  6. ADAPTER PANELS AND SPLICE TRAYS SHOWN FOR REFERENCE ONLY.
  7. WALL MOUNT AND POLE MOUNT BRACKETS ARE SHOWN FOR REFERENCE ONLY.

UNLESS OTHERWISE SPECIFIED DIMENSIONS ARE IN INCHES TOLERANCES ARE: FRACTIONS: ±1/32 DECIMALS: .XX=±.03 XXX=±.010 ANGLES: ±1° ALL FLATS TO BE .005		THIS DOCUMENT AND THE INFORMATION CONTAINED THEREIN ARE CONFIDENTIAL & PROPRIETARY TO MULTILINK AND MAY NOT BE COPIED OR DISCLOSED TO OTHERS WITHOUT A WRITTEN CONSENT FROM MULTILINK. THE INFORMATION IS TO BE PROMPTLY RETURNED TO MULTILINK UPON REQUEST.		m utilink	
NO SHARP EDGES OR BURRS ALLOWED		DRAWN BY: SAB DATE: 11/29/2006		FWM-2X-N4D-BE	
MATERIAL: SEE BOM		CHECKED: DATE:		SIZE: B	
FINISH: SANDSTONE		MFG ENG: DATE:		DWG. NO: 045-060-10REF	
DO NOT SCALE DRAWING		QUALITY ENG: DATE:		REV. 08	
				SCALE: 1/4	
				CAD FILE: 045-060-10REF	
				SHEET 1 OF 3	