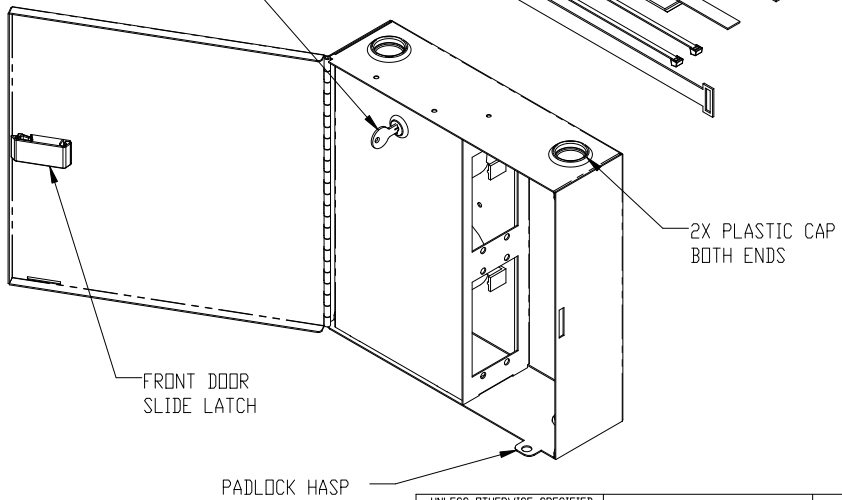
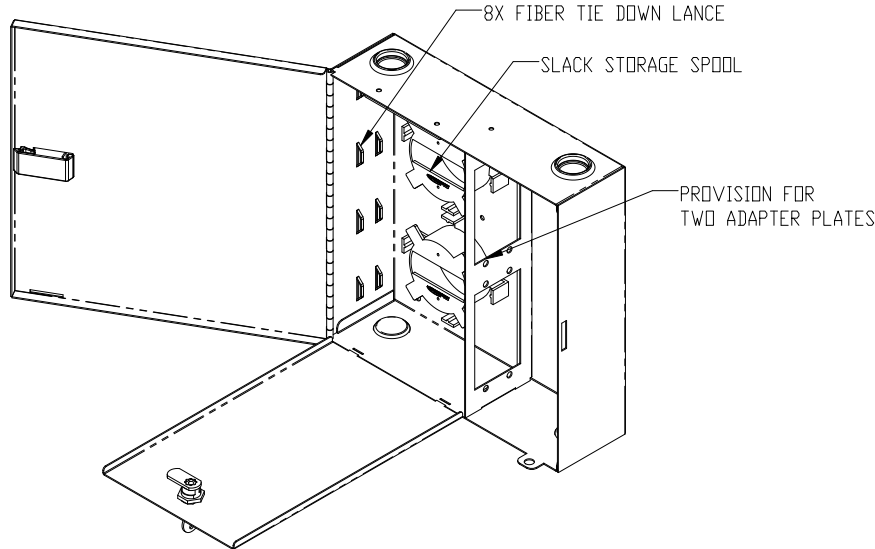
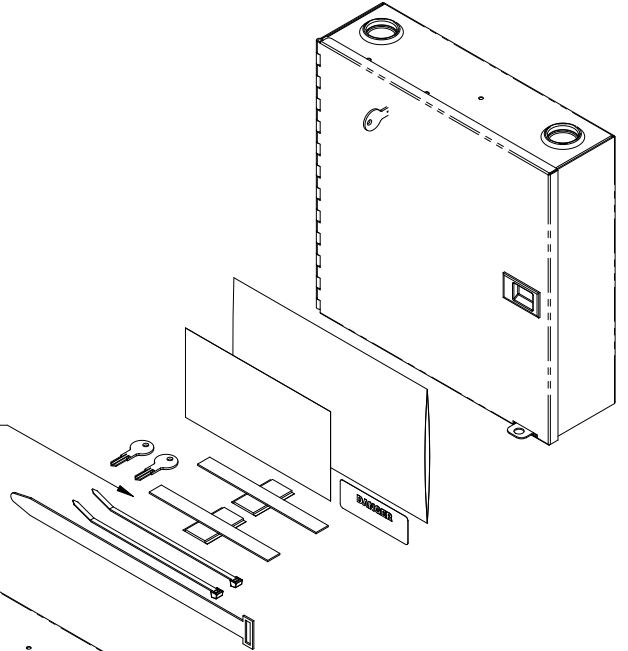
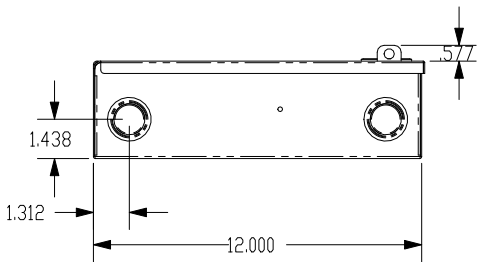
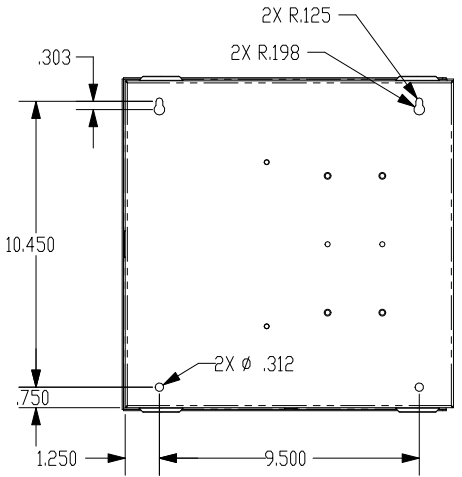
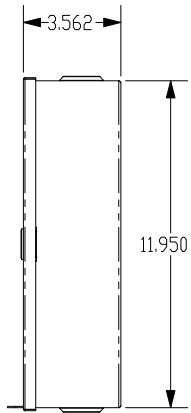
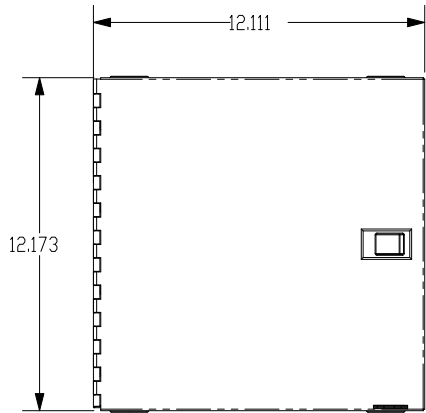


REV.	ECN #	DESCRIPTION OF CHANGE	DATE	BY	MFG ENG
01	N/A	INITIAL RELEASE		CP	



UNLESS OTHERWISE SPECIFIED
DIMENSIONS ARE IN INCHES
TOLERANCES ARE:
FRACTIONS: DECIMALS: ANGLES:
± 1/32 ± .03 ± 1°
XXX ± .010
ALL FLATS TO BE .005
NO SHARP EDGES OR
BURRS ALLOWED
MATERIAL:
SEE B.O.M.
FINISH:
BLACK TEXTURED
DO NOT SCALE DRAWING

THIS DOCUMENT AND THE INFORMATION
CONTAINED THEREIN ARE CONFIDENTIAL
& PROPRIETARY TO MULTILINK AND MAY
NOT BE COPIED OR DISCLOSED TO OTHERS
WITHOUT A WRITTEN CONSENT FROM
MULTILINK. THE INFORMATION IS TO BE
PROMPTLY RETURNED TO MULTILINK UPON
REQUEST.
DRAWN BY: CP DATE: 11/28/01
CHECKED: DATE:
MFG ENG: DATE:
QUALITY ENG: DATE:

M ultilink

FWM-4X-LC-BK

SIZE	DWG. NO.	REV.
B	10-1914-REF	01
SCALE: 1/5	CAD FILE: 10-1914-REF	SHEET 1 OF 1