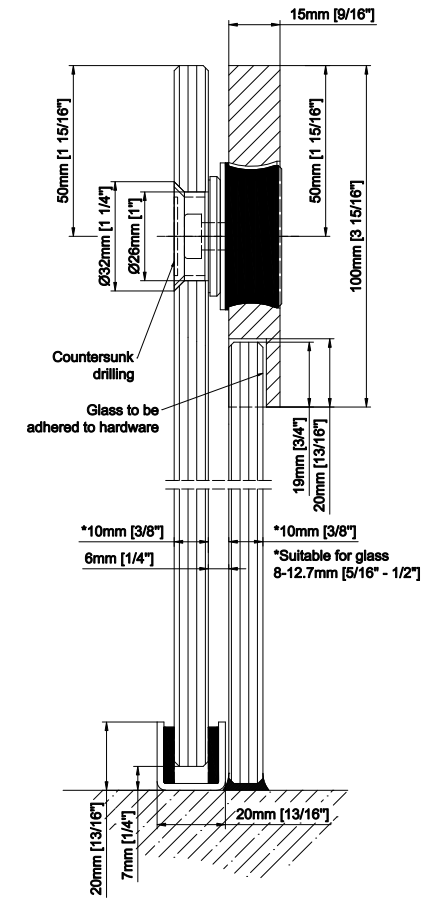
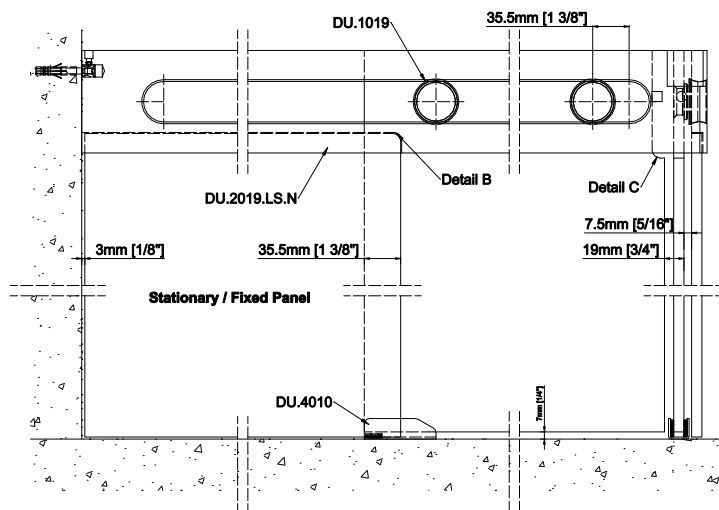
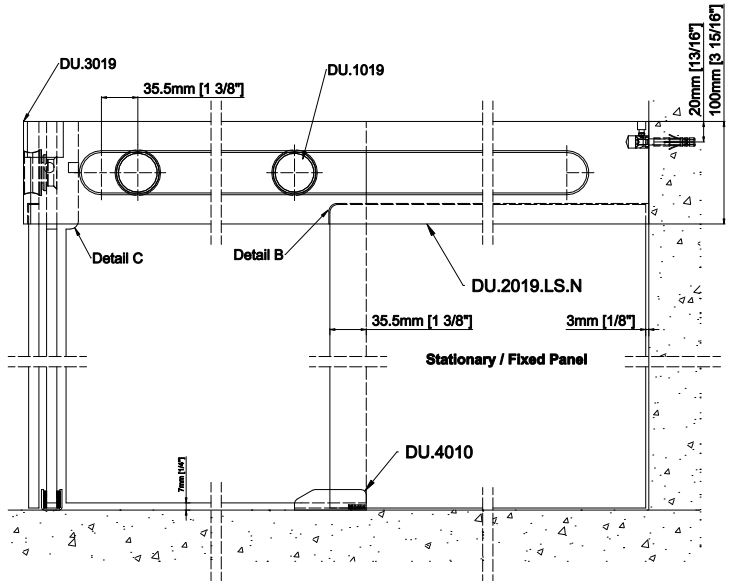


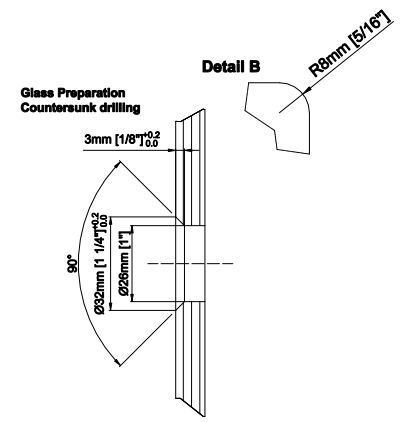
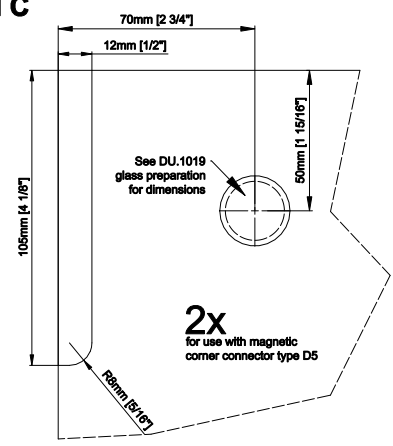
Technical drawings are subject to change without notice.
All millimeter dimensions are exact and supersede inch conversions.

Copyright MWE NA Inc., all rights reserved. Reproduction or other use of these designs without written consent from MWE NA Inc. is prohibited.



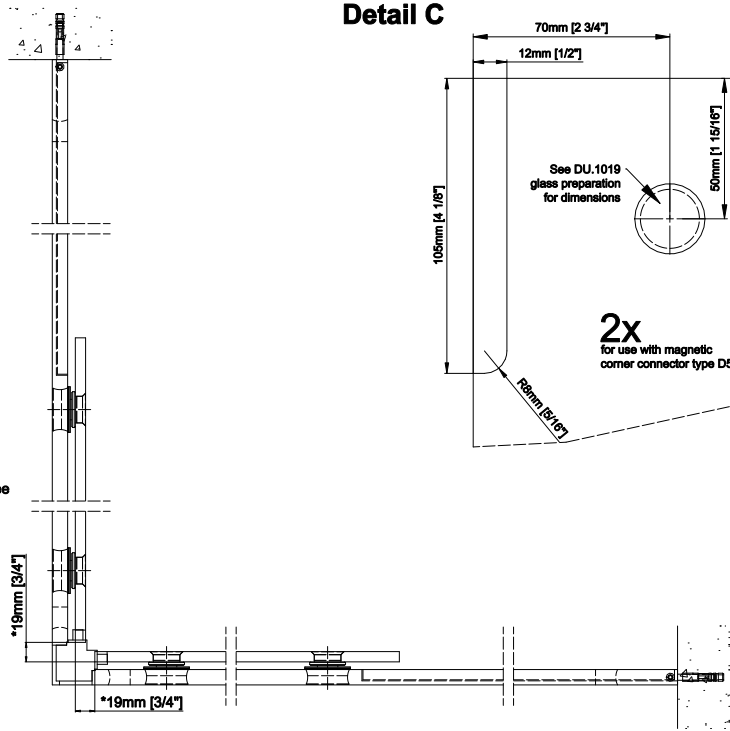
Tempered glass
3/8" thickness
Max. 297 Lbs. per panel

Detail C



*Dimension allows for magnetic seal for 90 degree angle type D5

Tempered glass
3/8" thickness
Max. 99 Lbs. per panel



Luna [DU.1019] corner access

Date Prepared: Jan 2019 Prepared By: CDA

MWE[®]
NORTH AMERICA
Email: info@mwe-na.com
phone: (954)982-6595
www.mwe-na.com