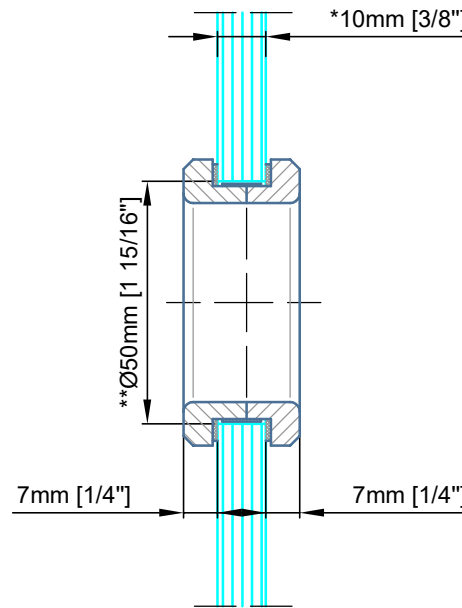
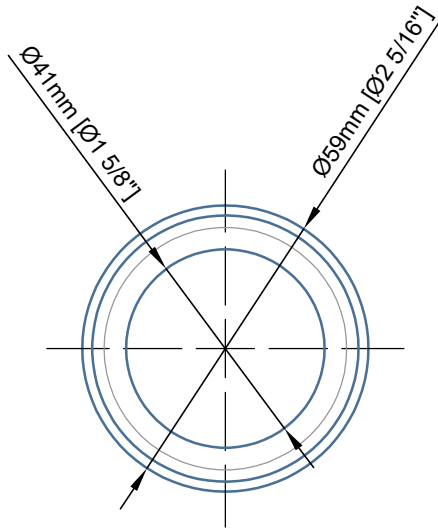
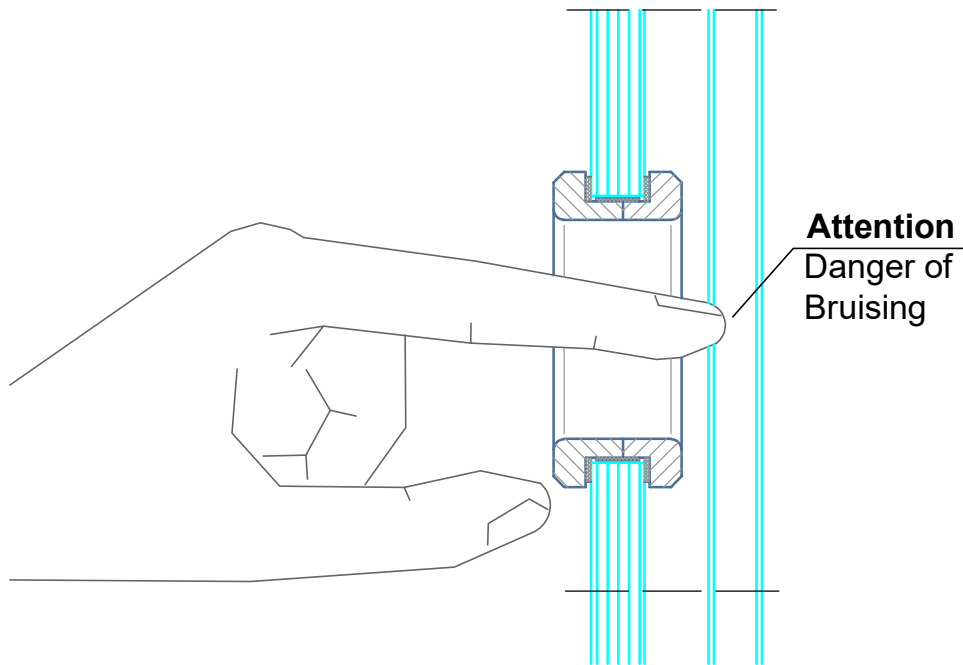


Glass to be tempered

*Available for:
8mm [5/16"]
10mm [3/8"]
12.7mm [1/2"] glass thickness



**Door Preparation / Drilling



GR.5941 cup pull (for glass doors)



NORTH AMERICA

Email: info@mwe-na.com

phone: (954) 982-6595

www.mwe-na.com