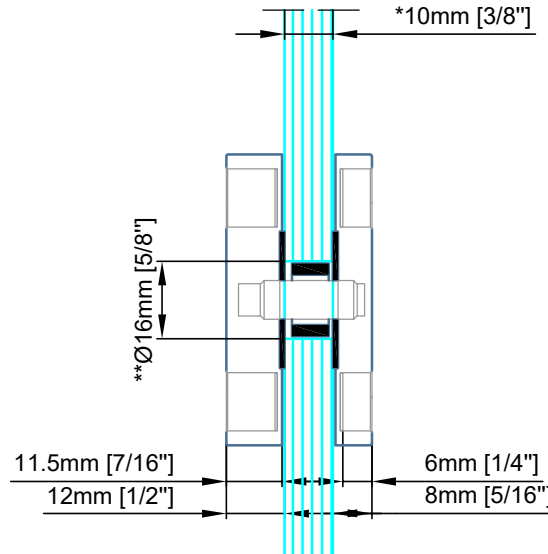
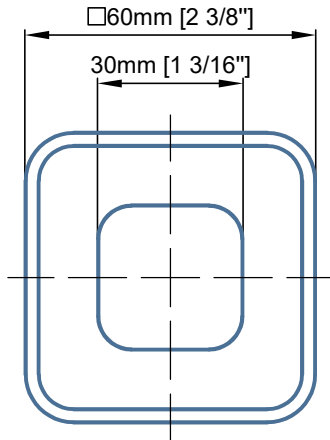


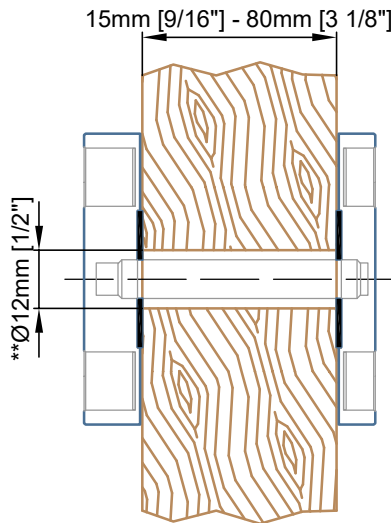
**Glass to be tempered**

\*Available for:  
 8mm [5/16"]  
 10mm [3/8"]  
 12.7mm [1/2"] glass thickness

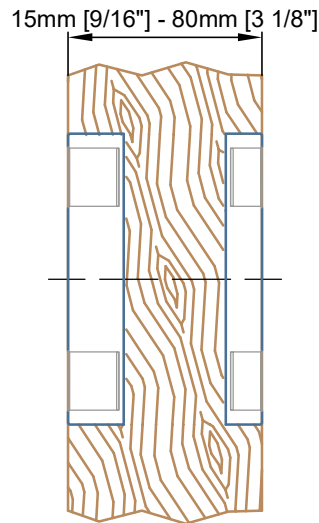


\*\*Door Preparation / Drilling

**Version One**



**Version Two**



**GR.6605 cup pull** *(for wood or glass doors)*



**NORTH AMERICA**

Email: [info@mwe-na.com](mailto:info@mwe-na.com)

phone: (954) 982-6595

[www.mwe-na.com](http://www.mwe-na.com)